
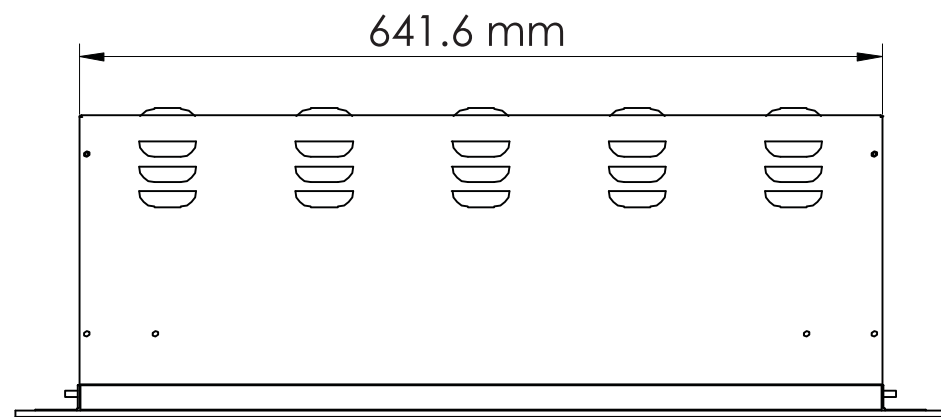
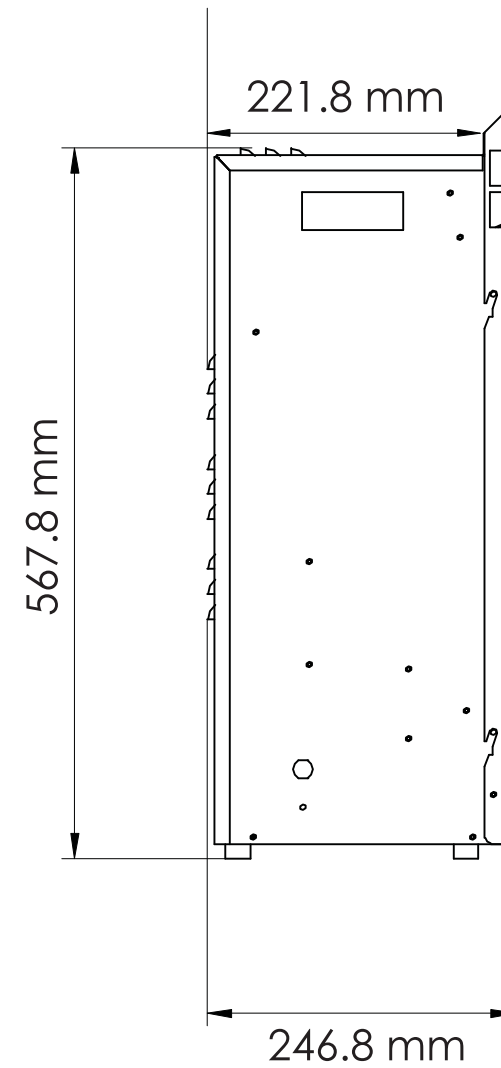
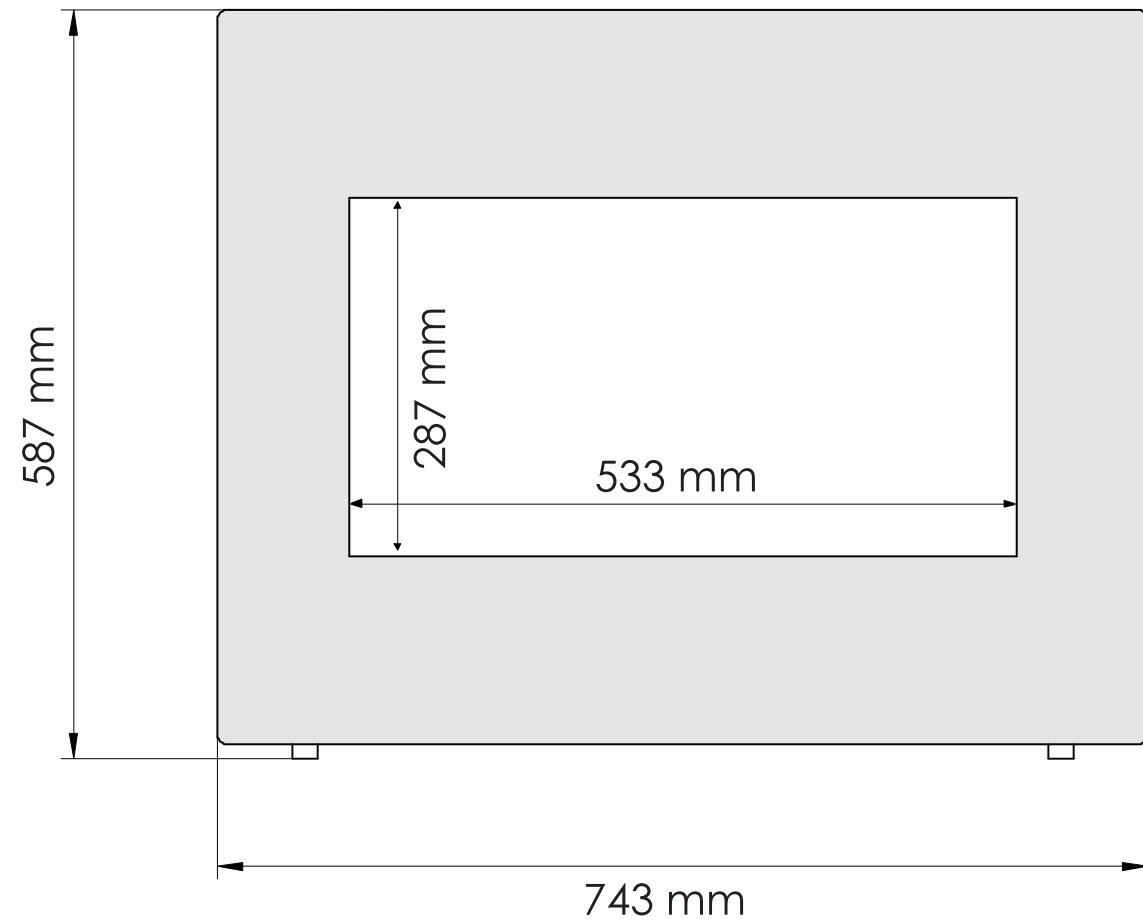


TECHNICAL SPECIFICATIONS		
VOLTS	120	
AMPS	12.5	
WATTS	1500	
HEATER	HIGH	1500 watts
	LOW	750 watts
NO HEATER	22 watts	
LAMPS	QUANTITY	LED
	WATTS	
	TOTAL WATTS	22 watts
ROTOR MOTOR	1 at 5 watts	
HEIGHT, WIDTH, DEPTH	22 1/2 x 25 1/2 x 8 1/2	
GLASS VIEWING OPENING	21 x 11 3/8	
GLASS SIZE	29 1/4 x 23	
SHIPPING SIZE	25 1/4 x 32 3/4 x 12 1/4	
SHIPPING WEIGHT	UNIT	55 lbs
	GLASS FRONT	Included
PLUG LOCATION	Left Side	
CORD LENGTH	76"	
APPROX. HEATING AREA	400 sq ft	




SERIES ZERO CLEARANCE	MODEL ZECL-26-2923		REV 1
SCALE 1" = 1'-0"	DATE: 10/1/12		SHEET 1 OF 1



TECHNICAL SPECIFICATIONS		
VOLTS		120
AMPS		12.5
WATTS		1500
HEATER	HIGH	1500 watts
	LOW	750 watts
NO HEATER		22 watts
LAMPS	QUANTITY	LED
	WATTS	
	TOTAL WATTS	22 watts
ROTOR MOTOR		1 at 5 watts
HEIGHT, WIDTH, DEPTH		56.8 x 64.2 x 22.2 cm
GLASS VIEWING OPENING		53.3 x 28.7 cm
GLASS SIZE		74.3 x 58.7 cm
SHIPPING SIZE		64.1 x 83 x 31 cm
SHIPPING WEIGHT		25 kg
	UNIT	
GLASS FRONT		Included
PLUG LOCATION		Left Side
CORD LENGTH		193 cm
APPROX. HEATING AREA		37 sqm

*Amantii*

SERIES ZERO CLEARANCE	MODEL ZECL-26-2923		REV 1
SCALE 1:12	DATE: 10/1/12		SHEET 1 OF 1