
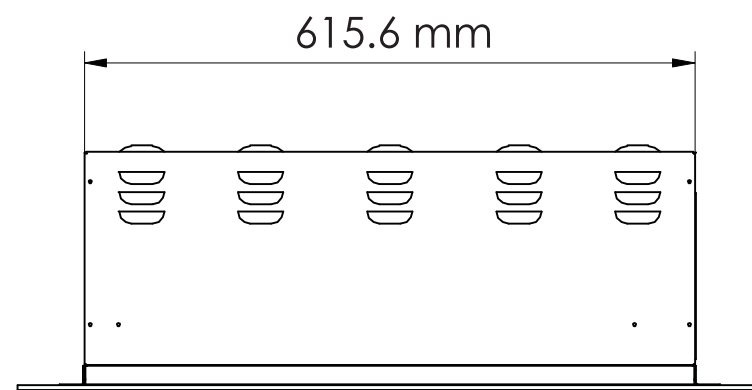
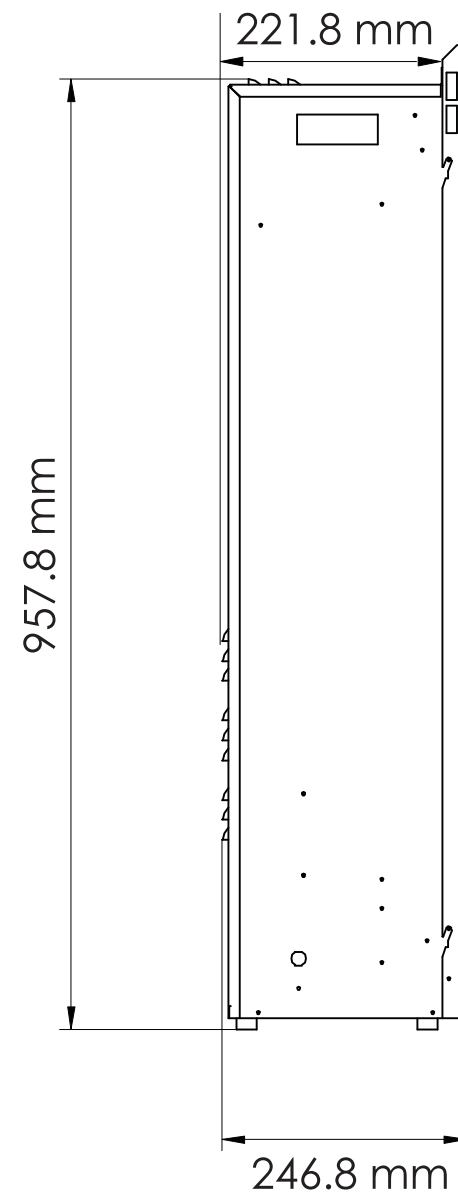
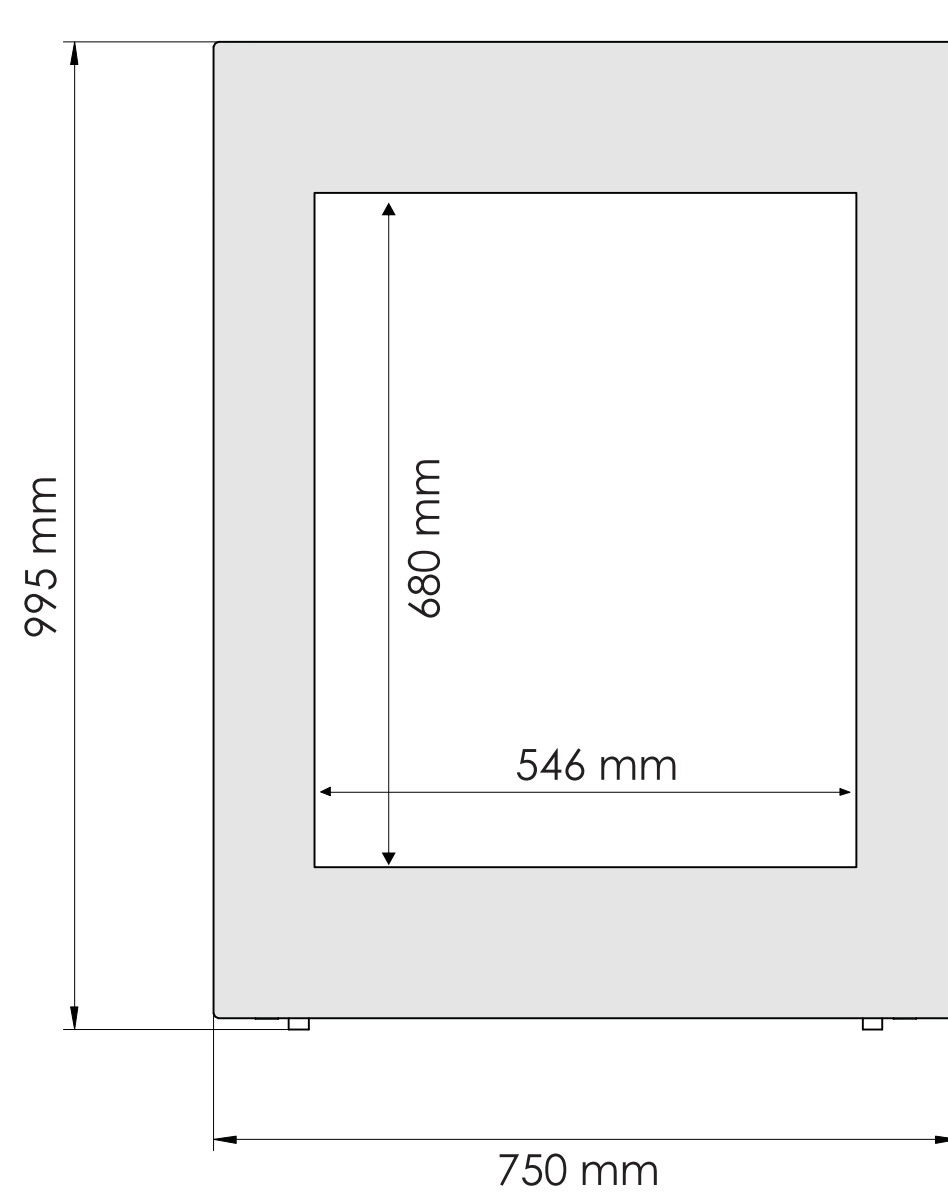


TECHNICAL SPECIFICATIONS		
VOLTS		120
AMPS		12.5
WATTS		1500
HEATER	HIGH	1500 watts
	LOW	750 watts
NO HEATER		22 watts
LAMPS	QUANTITY	LED
	WATTS	
	TOTAL WATTS	22 watts
ROTOR MOTOR		1 at 5 watts
HEIGHT, WIDTH, DEPTH		37 3/4 x 24 1/4" x 8 1/2"
GLASS VIEWING OPENING		21 1/2 x 26 3/4
GLASS SIZE		29 1/2 x 38 3/4
SHIPPING SIZE		41 x 32 1/2 x 12 1/4
SHIPPING WEIGHT		66 lbs
	UNIT	
	GLASS FRONT	Included
PLUG LOCATION		Left Side
CORD LENGTH		76"
APPROX. HEATING AREA		400 sq ft




SERIES ZERO CLEARANCE	MODEL ZECL-2939		REV 1
SCALE 1" = 1'-0"	DATE: 10/1/12		SHEET 1 OF 1



TECHNICAL SPECIFICATIONS		
VOLTS		120
AMPS		12.5
WATTS		1500
HEATER	HIGH	1500 watts
	LOW	750 watts
NO HEATER		22 watts
LAMPS	QUANTITY	LED
	WATTS	
	TOTAL WATTS	22 watts
ROTOR MOTOR		1 at 5 watts
HEIGHT, WIDTH, DEPTH		95.8 x 61.6 x 22.2 cm
GLASS VIEWING OPENING		54.6 x 68 cm
GLASS SIZE		75 x 99.5 cm
SHIPPING SIZE		104.1 x 82.5 x 31 cm
SHIPPING WEIGHT		30 kg
	UNIT	
	GLASS FRONT	Included
PLUG LOCATION		Left Side
CORD LENGTH		193 cm
APPROX. HEATING AREA		37 sqm



SERIES ZERO CLEARANCE	MODEL ZECL-2939		REV 1
SCALE 1:12	DATE: 10/1/12		SHEET 1 OF 1