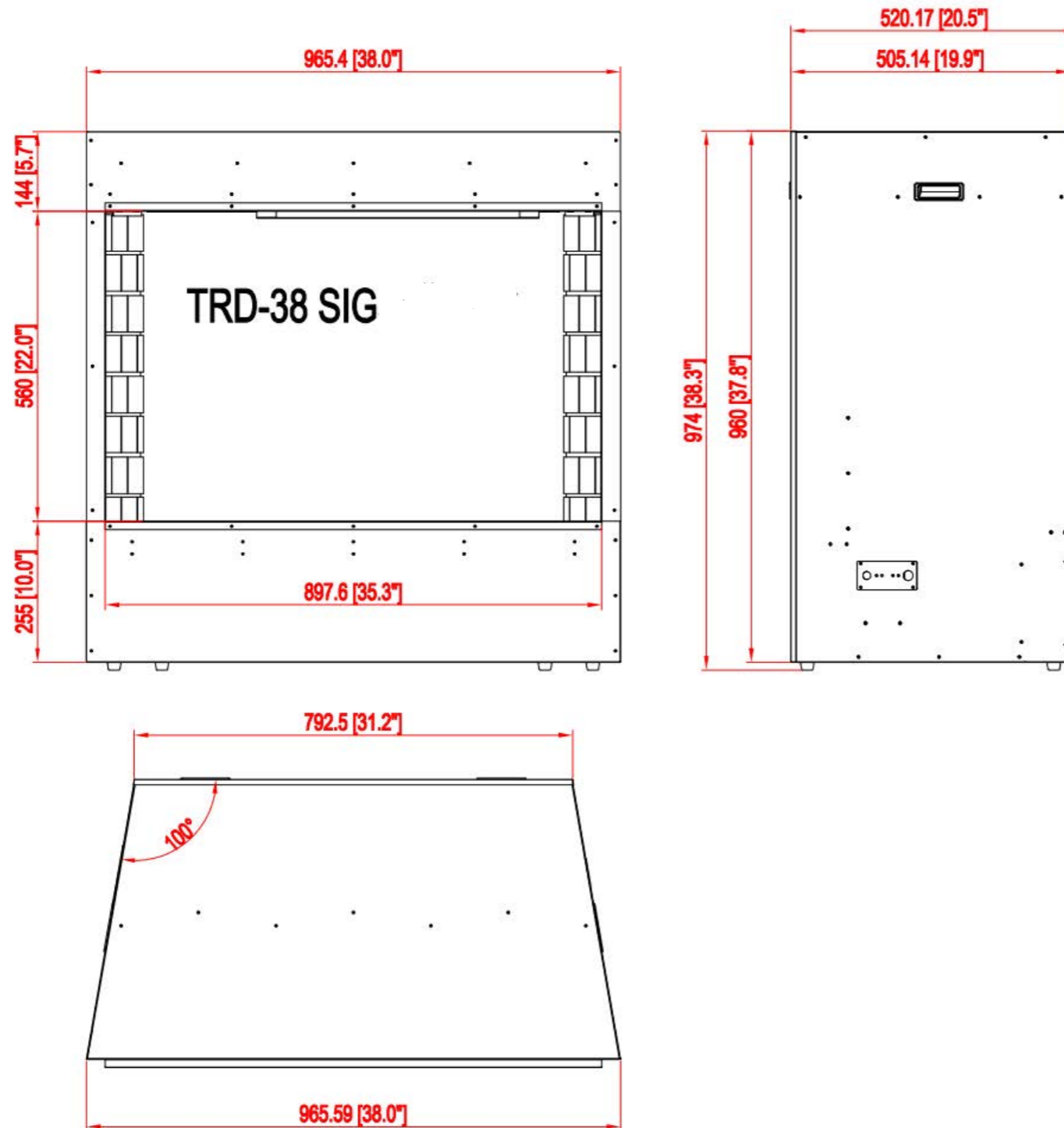


# Amantii TRD powered by Dimplex Optimyst

## TRD SIGNATURE SERIES

### Built-in Electric Cassette

#### Product Dimensions:



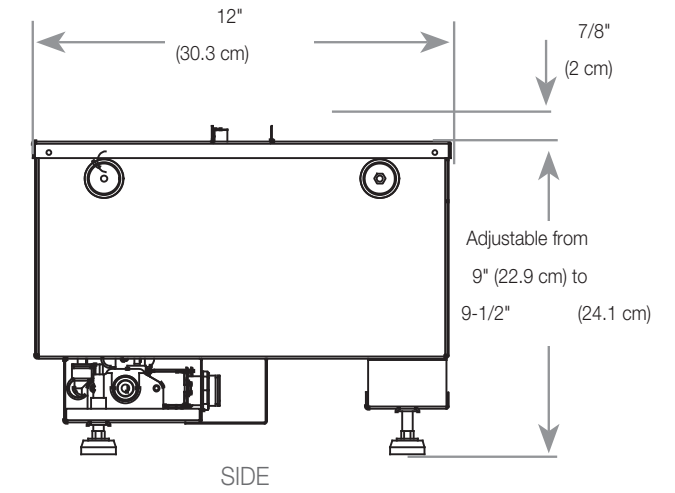
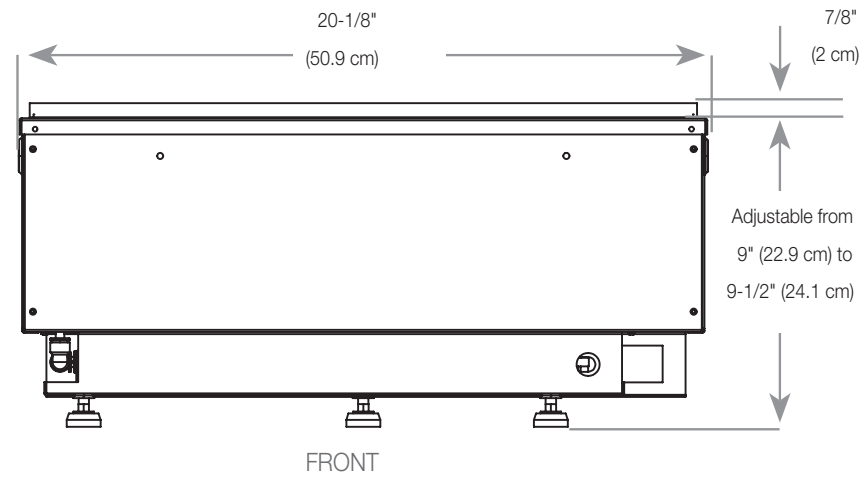
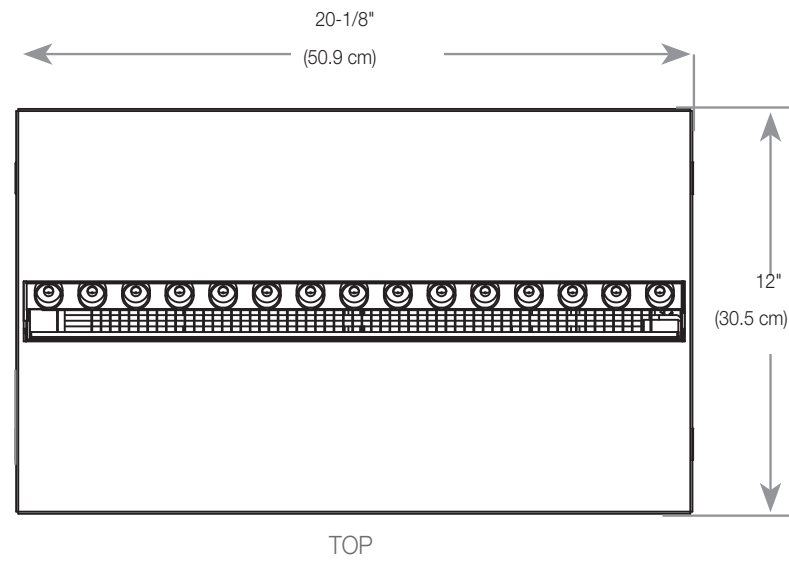
#### TECHNICAL SPECIFICATIONS

VOLTS	120V 60Hz	
AMPS	12.5	
WATTS	1465 W	
HEATER	HIGH	1465 watts
	LOW	750 watts
NO HEATER	32.6 watts	
LAMPS	TYPE	LED
	WATTS	
	TOTAL WATTS	32 watts
ROTOR MOTOR	1 at 2.9 watts	
HEIGHT,WIDTH,DEPTH	38.3" x 38.0" x 20.5"	
GLASS VIEWING OPENING	22.0" X 35.3"	
GLASS SIZE	22" X 35.3"	
SHIPPING SIZE	29 5/8" x 42 1/8" x 15 1/2"	
SHIPPING WEIGHT	101.4 lbs	
	UNIT	81.6 lbs
GLASS FRONT	Included	
PLUG LOCATION	Left Side	
CORD LENGTH	76"	
APPROX. HEATING AREA	400 sq ft	

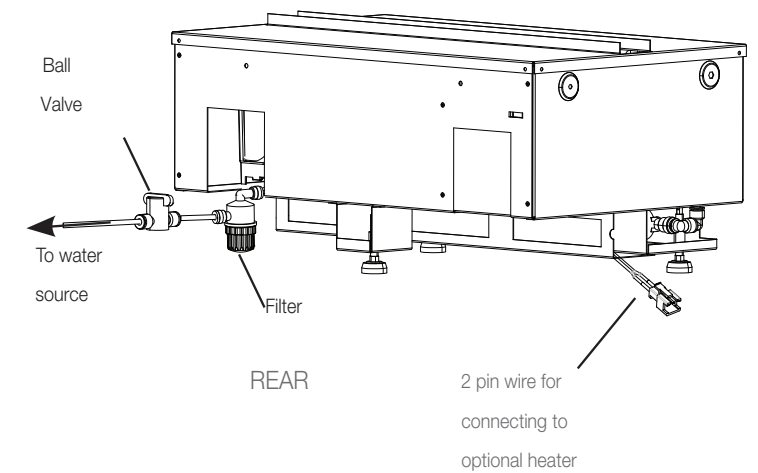
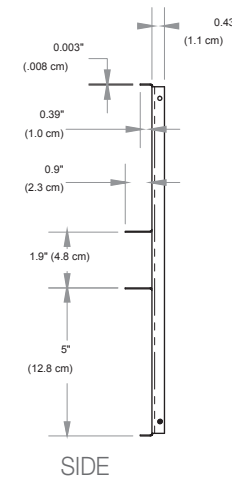
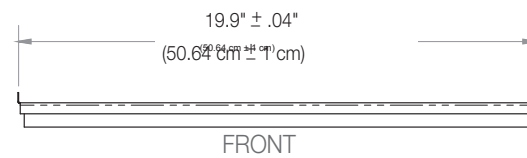
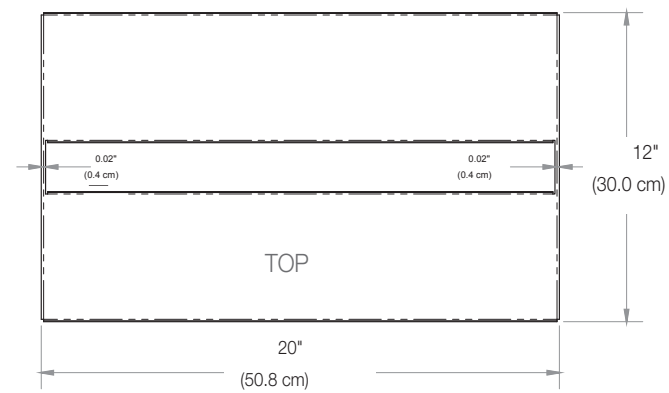
SERIES	MODEL		REV
SIGNATURE	TRD-38 SIG		1
SCALE 1"=1'-0"	DATE: 10/30/2023	SHEET 1 OF 1	

# Amantii TRD powered by Dimplex Optimyst Built-in Electric Cassette

## Product Dimensions:



## MEDIA TRAY

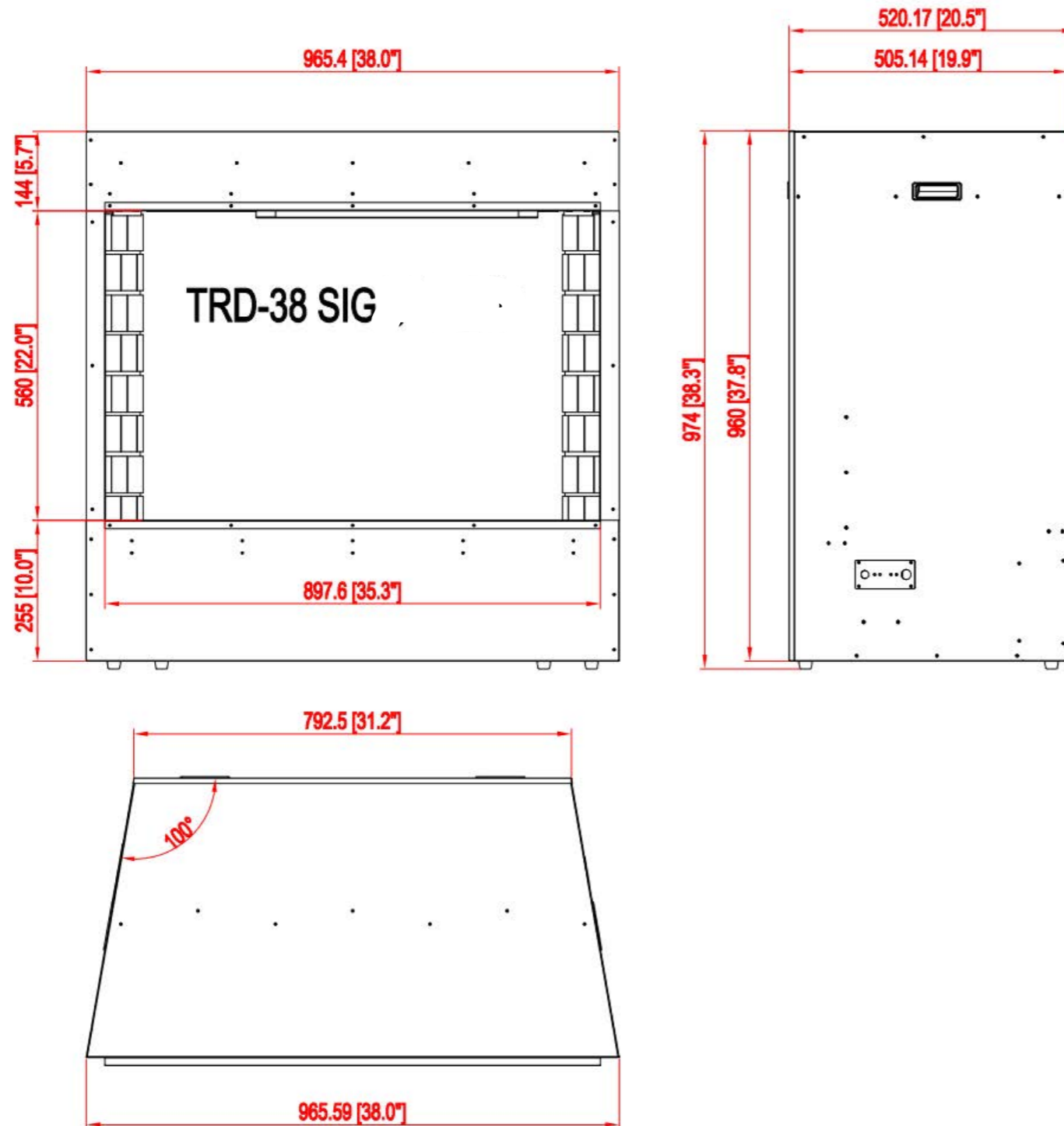


# Amantii TRD powered by Dimplex Optimyst

## TRD SIGNATURE SERIES

### Built-in Electric Cassette


#### Product Dimensions:



#### TECHNICAL SPECIFICATIONS

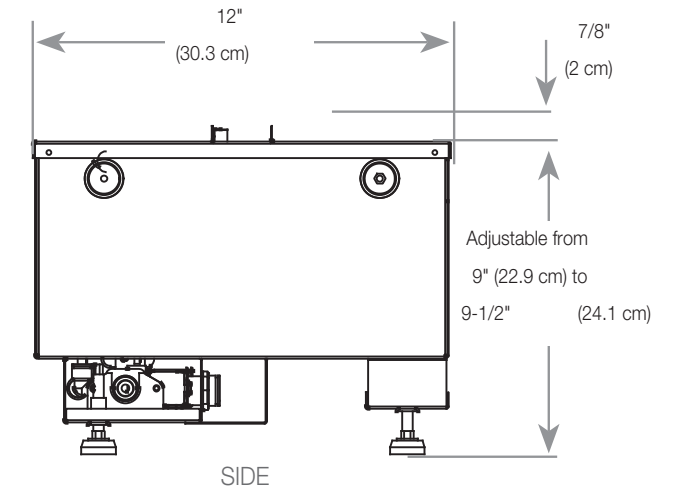
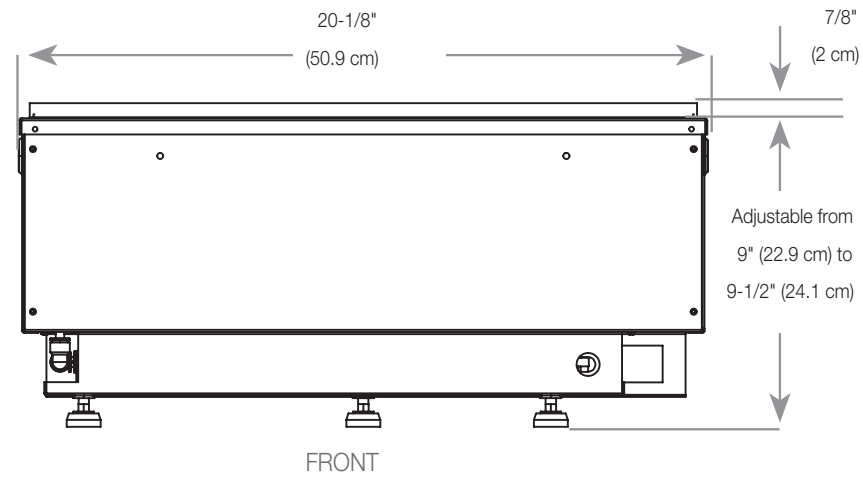
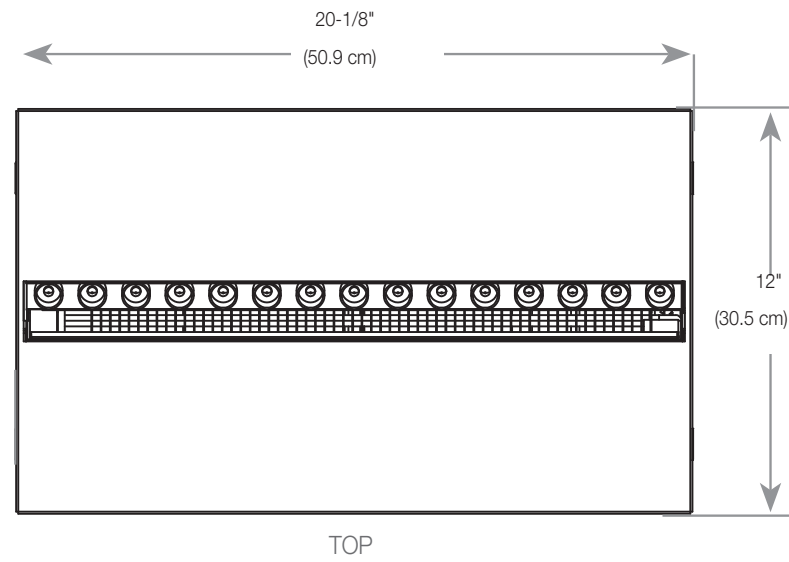
VOLTS	120V 60Hz	
AMPS	12.5	
WATTS	1465 W	
HEATER	HIGH	1465 watts
	LOW	750 watts
NO HEATER	32.6 watts	
LAMPS	TYPE	LED
	WATTS	
	TOTAL WATTS	32 watts
ROTOR MOTOR	1 at 2.9 watts	
HEIGHT,WIDTH,DEPTH	69.1 x 94.4 x 31.28 cm	
GLASS VIEWING OPENING	60.1 X 89.6 cm	
GLASS SIZE	58.8 X 90.8 cm	
SHIPPING SIZE	75.1 x 106.9 x 39.5 cm	
SHIPPING WEIGHT	46 Kgs	
	UNIT	37 Kgs
GLASS FRONT	Included	
PLUG LOCATION	Left Side	
CORD LENGTH	193 cm	
APPROX. HEATING AREA	37 sqm	

*Amantii*

SIGNATURE	MODEL		REV
	TRD-38 SIG		1
SCALE 1:12	DATE: 05/01/2023	SHEET 1 OF 1	

# Amantii TRD powered by Dimplex Optimyst Built-in Electric Cassette

## Product Dimensions:



## MEDIA TRAY

