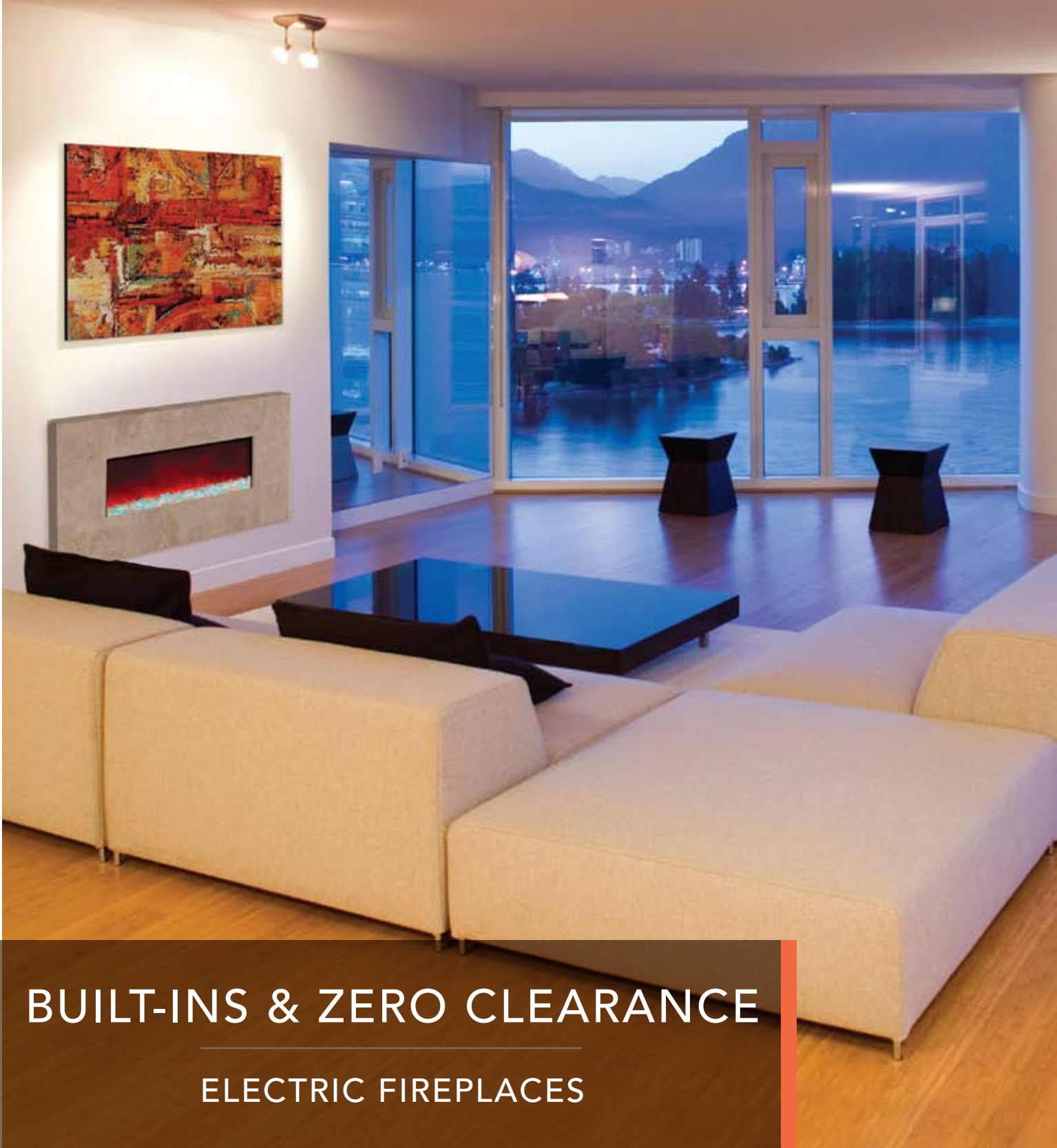


BLT-IN-58 Electric Fireplace with mixed Aqua and Clear fire glass and optional Honey Travertine face



BUILT-INS & ZERO CLEARANCE

ELECTRIC FIREPLACES

Amantii

BLT-IN SERIES

impression



BLT-IN-38 Electric Fireplace with Aqua fire glass



BLT-IN-58 Electric Fireplace with Amber fire glass and optional Black Granite

BLT-IN-38 SPECIFICATIONS

BLT-IN SERIES Fireplace Features

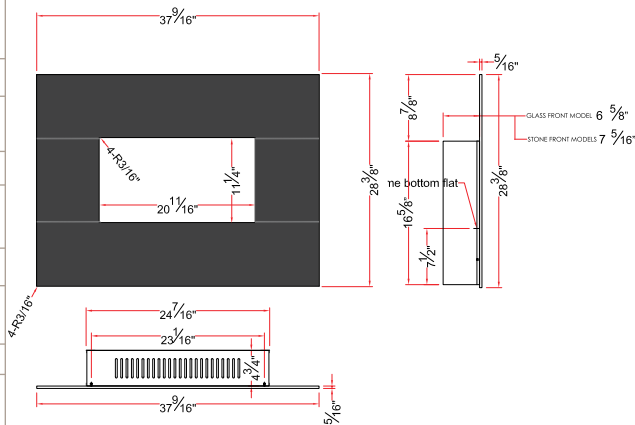
- 38" and 58" can be built-in or wall mount.
- Featuring LED light technology
- No heater
- No fan
- Unit can be built into the wall with only 2" (5cm) protruding into the room for Glass, 2 3/4" (7cm) for Stone.
- 2 1/2" return on all Stone faced units.
- Slim 6" overall depth unit mounts directly on any wall.
- 12 Volt
- Remote control for turning the flame on or off (included)
- Easy to reach manual controls
- Comes standard with crystal black glass face
- BLT-IN-38 & BLT-IN-58 come with three colors of fire glass media.



Built-in electric fireplaces are a perfect alternative for gas or wood-burning fireplaces, solving impossible installation challenges and offering immediate gratification with same-day installation.

If you have limited space, then the BLT-IN 38" is your answer. This easy-to-install unit adds a clean, fresh look to any room in your home. The crystal black glass face comes standard, or create your own style with optional real stone upgrades. The BLT-IN-38 comes with three colors of fire glass media, see fire glass colors on page 3.

Volts	12
Amps	0.2
Watts	10.5
LED Lights	3 each 5 watt 15 watts total
Rotor Motor	1 at 5 watts
Height, Width, Depth	
Glass Front Model	16 5/8 x 24 7/16 x 6 5/8
Stone Front Model	16 5/8 x 24 7/16 x 7 5/16
Glass Viewing Opening	20 11/16 x 11 1/4
Glass Size	38 w x 27 7/8 h
Shipping Size	
Glass Front Model	39 3/4 x 9 3/4 x 30
Stone Front Model	42 1/2 x 9 3/4 x 31 1/2
Shipping Weight	
Glass Front Model	80 lbs.
Stone Front Model	96 lbs.
Cord Length	76"



Unit can be built into the wall with only 1 1/2" protruding into the room

REAL STONE FACE UPGRADES

(Available in BLT-IN 38" and 58" models only)



Absolute Black Granite



Dark Gray Limestone



Honey Travertine

FIRE GLASS COLORS

(Comes with BLT-IN 38" and 58" models only)



Hz-01 Clear



Hz-18 Amber



Hz-32 Aqua



BLT-IN-58 Electric Fireplace with Amber fire glass



BLT-IN-38 Electric Fireplace with Aqua fire glass and optional Dark Gray Limestone

inspiration

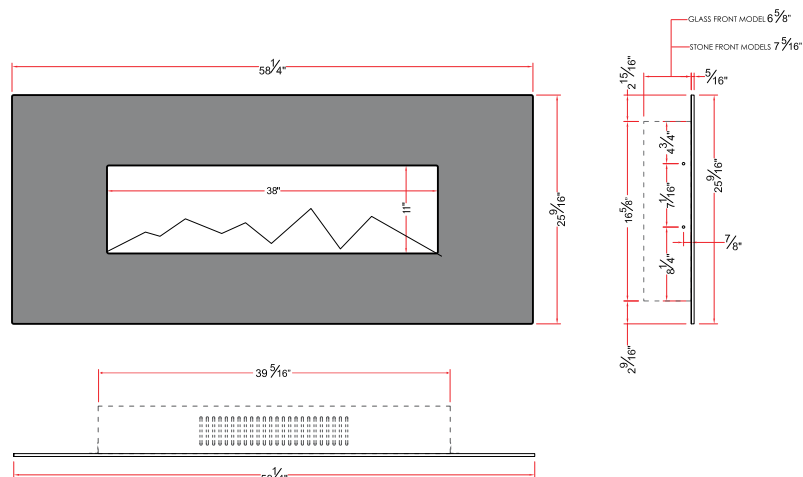
BLT-IN-58 SPECIFICATIONS



Sleek & Stylish.

It's not easy being popular, but the BLT-IN-58" electric fireplace is all that and more. Fitting perfectly into any setting, this gorgeous fireplace will provide years of enjoyment and beauty in your home. Also available with real stone optional upgrades. The BLT-IN-58 comes with three colors of fire glass media, see fire glass colors on page 3.

Volts	12
Amps	0.2
Watts	10.5
LED Lights	5 each 5 watt 25 watts total
Rotor Motor	1 at 5 watts
Height, Width, Depth	
Glass Front Model	16 5/8 x 39 5/16 x 6 5/8
Stone Front Model	16 5/8 x 39 5/16 x 7 5/16
Glass Viewing Opening	38 1/4 x 11
Glass Size	58 1/4 w x 25 1/2 h
Shipping Size	
Glass Front Model	60 1/2 x 8 1/4 x 27 3/4
Stone Front Model	62 1/2 x 9 3/4 x 31 1/2
Shipping Weight	
Glass Front Model	108 lbs.
Stone Front Model	128 lbs.
Cord Length	75"



BLT-IN-58 Electric Fireplace with mixed Aqua and Clear fire glass and optional Honey Travertine face

BLT-IN-5124



BLT-IN-5124 Electric Fireplace in Willow color, Burnish finish concrete face (54M) with Amber and Clear fire glass

ARTISAN COLOR & FINISH OPTIONS

Styles:



Style name?? groove top left and bottom right



Style name??



Style name?? No grooves

BLT-IN-5124 SPECIFICATIONS

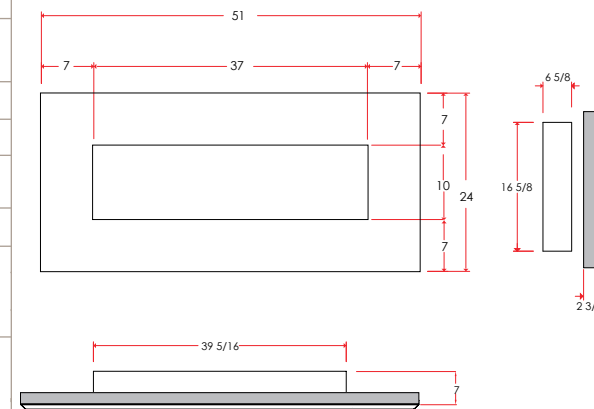
BLT-IN 5124 SERIES Fireplace Features

- Featuring LED light technology
- No heater
- No fan
- Unit can be built into the wall with only 2 3/4" (7cm) protruding into the room.
- 12 Volt
- Remote control for turning the flame on or off (included)
- Easy to reach manual controls
- Comes with three colors of fire glass media.



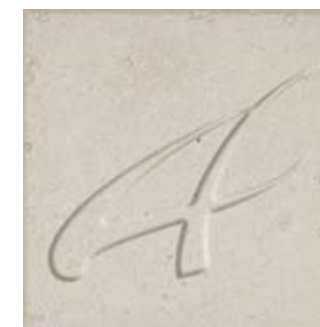
The BLT-IN-5124 intro paragraph

Volts	12
Amps	0.2
Watts	10.5
LED Lights	5 each 5 watt 25 watts total
Rotor Motor	1 at 5 watts
Height, Width, Depth	16 5/8 x 39 5/16 x 6 5/8
Glass Viewing Opening	20 11/16 x 11 1/4
Concrete Surround	51 w x 24 h x 23/4 d
Shipping Size	Unit 40 x 7 x 22 Concrete Front 55 x 6 x 27
Shipping Weight	Unit 27 lbs. Concrete Front 75 lbs.
Plug Location	Right Side
Cord Length	76"



Unit can be built into the wall with only 2 3/4" protruding into the room allowing the Facade to be flush with the wall

Colors:



Sand (Shown Natural Finish)



Hazel (Shown Natural Finish)



Willow (Shown Natural Finish)

Finishes:



Natural - Rough pitted look (Shown Willow, 54L)



Burnish - Very smooth, mason sand, duller look (Shown Willow, 54M)



Honed - Exposed Aggregate 'Rough' Look, but is very smooth to the touch (Shown Willow, 54R)



BLT-IN-5124 Electric Fireplace in Hazel color, Natural finish concrete face (55L) with Amber and Clear fire glass



BLT-IN-5124 Electric Fireplace in Sand color, Honed finish concrete face (56R) with Amber and Clear fire glass

texture

ZERO CLEARANCE SERIES



33P Electric Fireplace



39P Electric Fireplace

create conversation

33P SPECIFICATIONS

Insert Series Fireplace Features

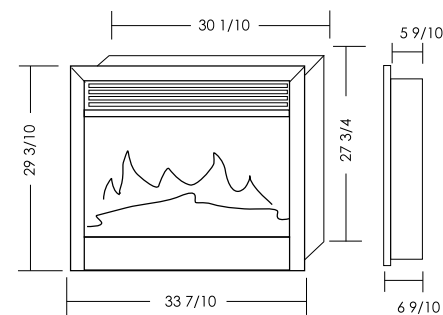
- 120 Volt - 1500 watt or 220 Volt - 3000 watt/ 5000 btu heater
- Approx heating area - 400 sq. ft
- Flame operates with or without heat
- Remote control for flame and heater (included)
- Easy to reach manual controls
- Plug located on the right side
- Cord length - 76"



33P Electric Fireplace

Eco-friendly and practical. This easy-to-install electric fireplace insert instantly brings your existing gas fireplace to life. With lifelike flame technology get the look of a wood fire with a realistic log set and ember bed. The unit can be operated with flame only or flame and heat.

Volts	120
Amps	14
Watts	1435
Heater	1350 watts high, 675 watts low
No Heater	85 watts
Lamps	2 each 40 watt Candelabra Incandescent, 80 watts total
Rotor Motor	1@5 watts
Height, Width, Depth	27 3/4h x 30 1/10w x 5 9/10d
Glass Viewing Opening	28-7/9 x 20-1/9
Glass Size	28-7/9 x 20-1/9
Shipping Size	34 x 10 x 31
Shipping Weight	62 lbs. Glass Included



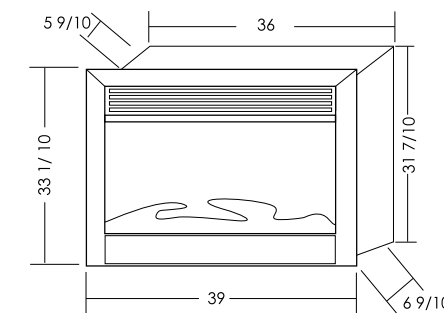
39P SPECIFICATIONS



39P Electric Fireplace

A twin to the 33" model, this larger eco-friendly electric insert is easy-to-install and allows the warmth and comfort of a lifelike fire, making it practical for condo or apartment living. Get the look of a wood fire with a realistic log set and ember bed. The unit can be operated with flame only or flame and heat.

Volts	120
Amps	14
Watts	1515
Heater	1350 watts high, 675 watts low
No Heater	165 watts
Lamps	4 each 40 watt Candelabra Incandescent, 160 watts total
Rotor Motor	1@5 watts
Height, Width, Depth	37 7/10h x 36w x 5 9/10d
Glass Viewing Opening	34 7/8 w x 19 5/8 h
Glass Size	35 1/2 w x 20 5/8 h
Shipping Size	40 x 10 x 35
Shipping Weight	74 lbs. Glass Included



PRICE LIST

Part Number	Description	MSRP
BLT-IN-38		
BLT-IN-38-BLKGLASS	38" Electric Fireplace w/Black Glass	
REAL STONE FACED UNITS		
BLT-IN-38-BLKGRANITE	38" Electric Fireplace w/Black Granite	
BLT-IN-38-GREYLIMESTONE	38" Electric Fireplace w/Grey Limestone	
BLT-IN-38-TRAVERTINE	38" Electric Fireplace w/Honey Travertine	
BLT-IN-58		
BLT-IN-58-BLKGLASS	58" Electric Fireplace w/Black Glass	
REAL STONE FACED UNITS		
BLT-IN-58-BLKGRANITE	58" Electric Fireplace w/Black Granite	
BLT-IN-58-GREYLIMESTONE	58" Electric Fireplace w/Grey Limestone	
BLT-IN-58-TRAVERTINE	58" Electric Fireplace w/Honey Travertine	
BLT-IN-5124		
ARTISAN FACED UNITS		
BLT-IN-5124-NAT-SAND	51" Electric Fireplace w/Sand Color Natural Finish	
BLT-IN-5124-NAT-HAZEL	51" Electric Fireplace w/Hazel Color Natural Finish	
BLT-IN-5124-NAT-WILLOW	51" Electric Fireplace w/Willow Color Natural Finish	
BLT-IN-5124-BUR-SAND	51" Electric Fireplace w/Sand Color Burnish Finish	
BLT-IN-5124-BUR-HAZEL	51" Electric Fireplace w/Hazel Color Burnish Finish	
BLT-IN-5124-BUR-WILLOW	51" Electric Fireplace w/Willow Color Burnish Finish	
BLT-IN-5124-HON-SAND	51" Electric Fireplace w/Sand Color Honed Finish	
BLT-IN-5124-HON-HAZEL	51" Electric Fireplace w/Hazel Color Honed Finish	
BLT-IN-5124-HON-WILLOW	51" Electric Fireplace w/Willow Color Honed Finish	
ZERO CLEARANCE		
33P	Performance Unit using 120 v	
39P	Performance Unit using 120 v	

Amantii

Phone: 888.406.8764
 Fax: 877.498.4206
 Web site: www.amantii.com



Distributed By:



Canned Heat
 1503-7088 18th Ave.
 Burnaby, BC V3N 0A2
 Phone: 1-604-644-2091
 FAX: 1-877-725-4954
 www.cannedheat.com



Intertek