

TRADITIONAL SERIES

FIREPLACE & INSERT ELECTRIC FIREPLACES

Amantii



TRD-48 shown with
optional Rustic Log Kit

TRADITIONAL BESPOKE SMART

Using the latest technology, Traditional Bespoke Smart presents a new interpretation of the classic fireplace with quality and style. Select flame colors, sound, heat and so much more by pairing your phone with the fireplace and press play on your smartphone. Heater vents are concealed in the upper top of the unit, enabling a truly clean face appearance.

Enjoy the brilliant flames of this fireplace even while the heat is off for ambiance during every season.

With this timeless fireplace, you will be able to breathe new life into any room while adding warmth and ambiance

KEY FEATURES

- 5 Year Warranty
- Fire & Sound – Two (2) quality audio speakers deliver a fire crackling sound. The audio is an ON/OFF feature that can be controlled through the WiFi app.
- WiFi compatible to connect and control the fireplace from your smartphone with the use of our app. Available on the Google play store and the Apple App Store.
- Bluetooth Connectivity – Featuring a fireplace with high quality audio from Bluetooth speakers. Simply pair your phone with the fireplace and press play on your smartphone.
- Programmable timer & thermostat allows you to decide the temperature of the room. Set the fireplace to turn on before you arrive home or have it automatically turn on when the weather is cold.
- Smart Room Temperature Control - 59°F - 82°F or 15°C - 28°C
- 1465W 5000 BTU, heats up to 500 Sq. Ft.
- 50000 hours lifetime LED light source
- Approved for Outdoor Installations*
- Designed with front flow heating and hidden venting so that the unit can be recessed or semi flush mounted
- A clean reduced trim kit allows for a large viewing area with true lifelike flames that can not be rivaled.
- Adjustable flame brightness and speed that can be turned on separately.
- Adjustable ember bed colors that allow for the possibility of auto mixing thousands of colors.
- Most quiet and reliable components in the industry
- Patented thermostatic remote comes included
- Masonry finish to trim option

TECHNICAL SPECIFICATIONS

Volts	120V
Amps	12.5 A
Watts	1465 Watts
Heater On	1465 Watts high, 732 Watts low
Heater Off	27 Watts – TRD 33 Bespoke 32.6 Watts – TRD 38 Bespoke 37.8 Watts – TRD 44 Bespoke
Rotor Motor	1 at 2.9 Watts
BTU	5000

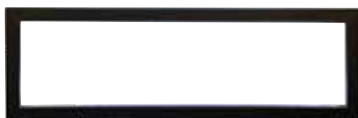
SERIES MODELS:

TRD-33 BESPOKE
TRD-38 BESPOKE
TRD-44 BESPOKE



INCLUDED ACCESSORIES

Models come with a choice of a Design Media kit - Driftwood, Birch or Rustic or ICE media kit



*Manufacturer guidelines regarding outdoor installation must be followed. Please refer to the owner's manual for additional information

YOUR CHOICE:

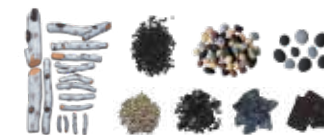
DESIGN-MEDIA-DRIFT-15PCE
Now includes an additional 4 mini logs (Not Shown)



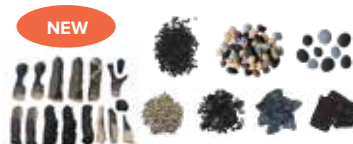
DESIGN-MEDIA-RUSTIC-14PCE



DESIGN-MEDIA-BIRCH-15PCE



DESIGN-MEDIA-SPLIT-LOG-16PCE



ICE MEDIA



FI-109-Diamond

DESIGN-MEDIA-BIRCH-10PCE



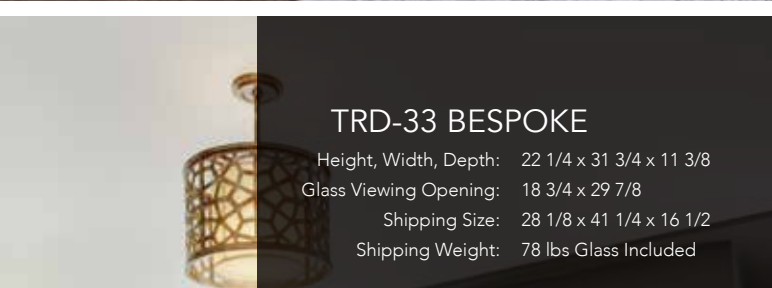
DESIGN-MEDIA-OAK-10PCE





TRD-44 BESPOKE

Height, Width, Depth: 27 1/4 x 37 1/8 x 12 3/8
Glass Viewing Opening: 23 5/8 x 35 1/4
Shipping Size: 29 5/8 x 41 6/8 x 14 4/8
Shipping Weight: 133.8 lbs Glass Included



TRD-33 BESPOKE

Height, Width, Depth: 22 1/4 x 31 3/4 x 11 3/8
Glass Viewing Opening: 18 3/4 x 29 7/8
Shipping Size: 28 1/8 x 41 1/4 x 16 1/2
Shipping Weight: 78 lbs Glass Included



TRD-38 BESPOKE

Height, Width, Depth: 16 3/4 x 25 1/4 x 4 1/8
Glass Viewing Opening: 13 5/8 x 25 1/8
Shipping Size: 17 1/4 x 27 1/8
Shipping Weight: 101.4 lbs Glass Included

TRADITIONAL SMART

Distinguished by its timeless elegance and exceptional quality, the Traditional Smart (TRD) series takes its inspiration from its excellent construction.

The heater vents are concealed in the inner top of the unit for a truly clean appearance. This Traditional Smart fireplace will allow you to breathe new life into any space by adding warmth and ambiance even when the heat is turned off with its radiant flames that will not disappoint during any season.

KEY FEATURES

- Can be fully recessed or semi flush mounted.
- TRD three or four sided surround required for semi flush mounted applications
- WiFi compatible to connect and control the fireplace from your smartphone with the use of our app. Available on the Google Play Store and the Apple App Store
- Three speed flame motor
- Choose from combinations of yellow, orange, and red colored flames
- Two flame pattern styles – standard and more traditional
- Flame operates with or without heat
- Choose from 11 colors of canopy and ember bed lighting to illuminate decorative media from below and above
- Touch pad for convenient control of features and temperature display on the fireplace
- Programmable timer & thermostat allows you to decide the temperature of the room. Set your fireplace to turn on before you arrive home or have it automatically turn on when the weather is cold
- Patented thermostatic remote comes included

TECHNICAL SPECIFICATIONS

Volts	120
Amps	12
Watts	1465 Watts
Heater On	1465 Watts high 732 Watts low
Heater Off	22 Watts
Rotor Motor	1 at 5 Watts
BTU	5000



SERIES MODELS:

- TRD 26 SMART
- TRD 30 SMART
- TRD 33 SMART
- TRD 38 SMART
- TRD 44 SMART
- TRD 48 SMART

TRD 26-Smart



Height, Width, Depth: 16 3/4 x 25 1/4 x 11 3/8
 Glass Viewing Opening: 13 1/4 x 23 3/8
 Shipping Size: 21 4/4 33 7/8 x 14 5/8
 Shipping Weight: 57.5 lbs Glass Included

TRD 30-Smart



Height, Width, Depth: 19 1/8 x 29 3/8 x 11 3/8
 Glass Viewing Opening: 15 1/2 x 27 1/2
 Shipping Size: 21 4/8 x 33 7/8 x 14 5/8
 Shipping Weight: 68.6 lbs Glass Included



TRD 38-Smart

Height, Width, Depth: 27 1/4 x 37 1/8 x 12 3/8
 Glass Viewing Opening: 23 5/8 x 35 1/4
 Shipping Size: 29 5/8 x 41 6/8 x 14 4/8
 Shipping Weight: 101.5 lbs Glass Included



TRD 44-Smart

Height, Width, Depth: 31 5/8 x 43 1/4 x 13 3/4
 Glass Viewing Opening: 28 1/8 x 41 3/8
 Shipping Size: 34 x 47 6/8 x 16 7/8
 Shipping Weight: 133.8 lbs Glass Included



TRD 33-Smart



Height, Width, Depth: 22 1/4 x 31 3/4 x 11 3/8
 Glass Viewing Opening: 18 3/4 x 29 7/8
 Shipping Size: 24 5/8 x 36 2/8 x 14 5/8
 Shipping Weight: 78 lbs Glass Included

INCLUDED ACCESSORIES

10 piece Birch log set, charcoal grey real fireglass media and two bags of vermiculite, in black and white, plus a remote. The 44 & 48 models come with two 10 piece Birch log sets.

A steel trim and glass inlay are included for the 26, 30, 33 & 38 models only.



DESIGN-MEDIA-BIRCH-10PCE

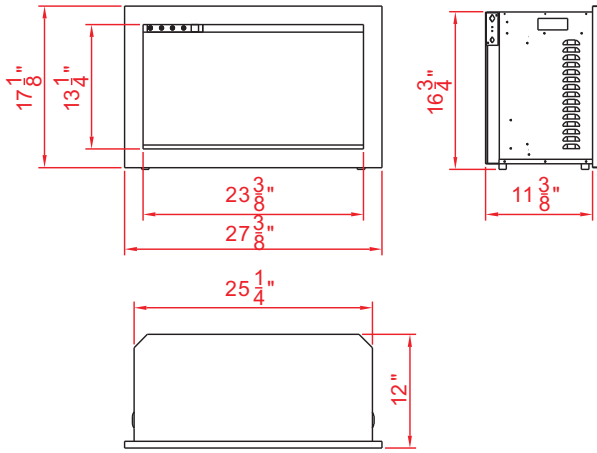
TRD 48-Smart shown with optional Fireglass

TRD 48-Smart

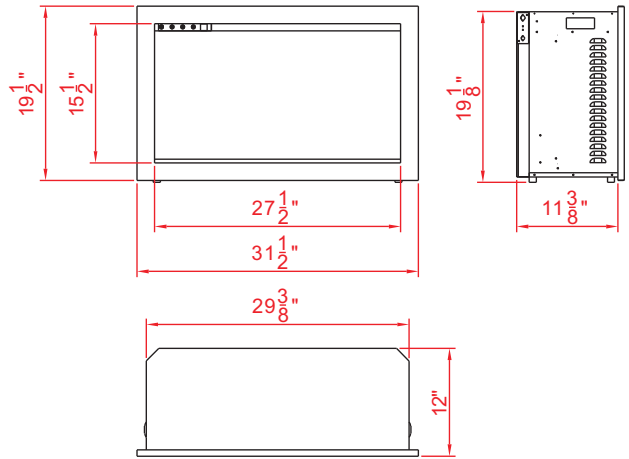
Height, Width, Depth: 41 1/8 x 47 1/4 x 13 3/4
Glass Viewing Opening: 38 5/8 x 45 3/8
Shipping Size: 44 x 51 6/8 x 16 7/8
Shipping Weight: 170.4 lbs Glass Included



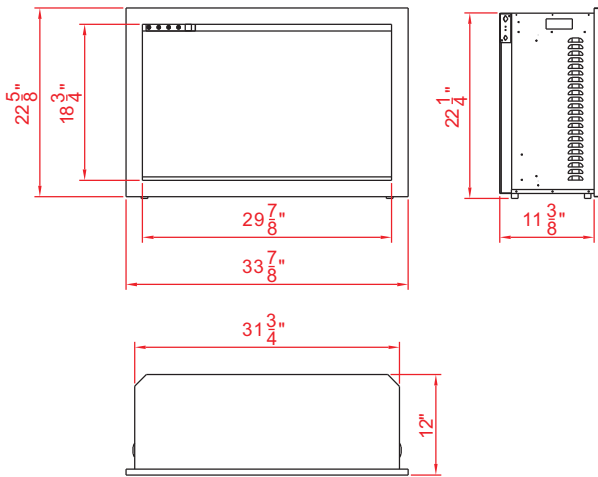
TRD-26 Smart



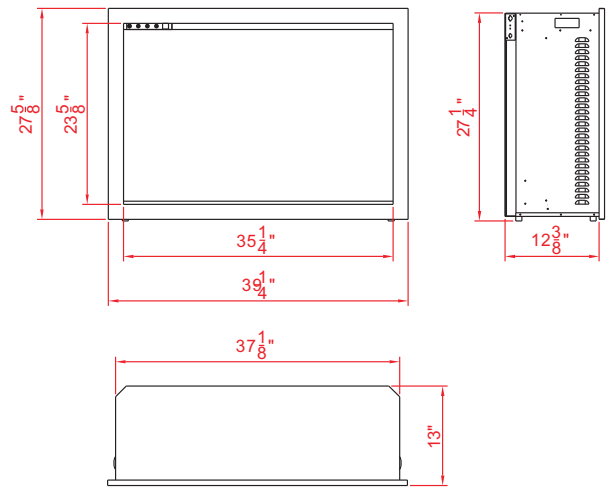
TRD-30 Smart



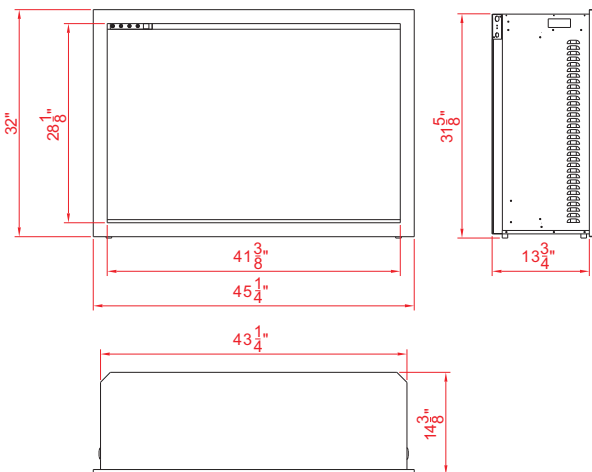
TRD-33 Smart



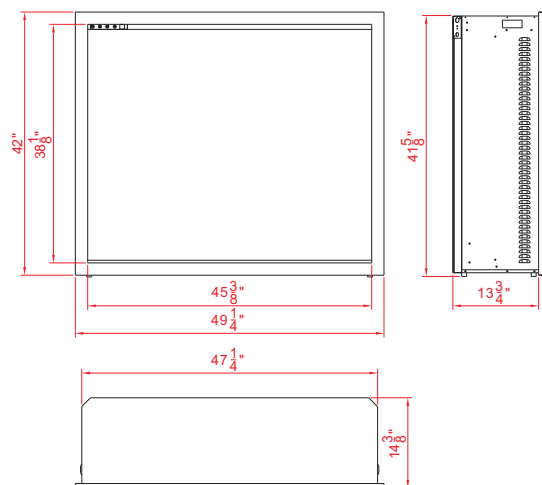
TRD-38 Smart



TRD-44 Smart



TRD-48 Smart



TRADITIONAL XTRA SLIM SMART

The Traditional Xtra Slim Smart electric fireplace offers the perfect balance of style and functionality for any room that it is placed in.

A familiar emblem of welcome and conversation, the TRD Xtra Slim Smart is defined by its slender depth proportions and seamless integration into any contemporary setting.

Featuring a shimmering flame display, the back of the fireplace is filled with movement that will capture your attention. Adjusting the heat is a simple matter of pushing a button. During the warmer months, the flames can be displayed without heat, making it perfect to use all year round.

KEY FEATURES

- Modern and sleek in design, this unit can be mounted or recessed into any 2" x 4" wall
- Unsurpassed, realistic flames can be enjoyed with or without the use of heat, allowing for year round use
- Clean and Seamless in Design: this fireplace features a full frame viewing area
- WiFi controls come standard
- Remote App- total control of your fireplace from the convenience of your mobile device
- Operate this fireplace from the comfort of your favorite spot with the included full feature remote control
- 2 Heater settings Low 732W High 1465W
- 5000 BTU's Max
- Accessories Included: Clear glass diamonds, black powder coated surround and a full feature remote control
- 11 multi colors of up lighting that accent from the tray
- Flame options include: yellow orange and red. Cycle through 6 different color settings in each
- 3 Speed motor sets the flame speed option
- Smart Heater Control - Auto mode feature allows for the unit to operate under your ideal temperature setting
- Perfect for any commercial or residential space

IDEAL APPLICATIONS

- Apartments
- Condos
- Townhouses
- Older homes

TECHNICAL SPECIFICATIONS

Volts	120
Amps	12.5 A
Watts	1465 max
Heater On	1465 watts high, 732 watts low
Heater Off	25 watts
Rotor Motor	1 at 5 watts
BTU	5000



INCLUDED ACCESSORIES



OPTIONAL LOG SET





TRD-30 XS

Height, Width, Depth: 19 1/8 x 29 3/8 x 4 1/8
Glass Viewing Opening: 16 x 29 3/8
Shipping Size: 19 5/8 x 31 1/4
Shipping Weight: 43.29 lbs Glass Included



TRD-33 XS

Height, Width, Depth: 22 1/4 x 31 3/4 x 4 1/8
Glass Viewing Opening: 19 1/8 x 31 3/4
Shipping Size: 22 3/4 x 33 5/8
Shipping Weight: 55.11 lbs Glass Included



TRD-26 XS

Height, Width, Depth: 16 3/4 x 25 1/4 x 4 1/8
Glass Viewing Opening: 13 5/8 x 25 1/8
Shipping Size: 17 1/4 x 27 1/8
Shipping Weight: 38.58 lbs Glass Included

TRADITIONAL BESPOKE SMART INSERTS

KEY FEATURES

- 5 Year Warranty
- Fire & Sound – Two (2) quality audio speakers deliver a fire crackling sound. The audio is an ON/OFF feature that can be controlled through the WiFi app.
- WiFi compatible to connect and control the fireplace from your smartphone with the use of our app. Available on the Google play store and the Apple App Store.
- Bluetooth Connectivity – Featuring a fireplace with high quality audio from Bluetooth speakers. Simply pair your phone with the fireplace and press play on your smartphone. 🎧
- Programmable timer & thermostat allows you to decide the temperature of the room. Set the fireplace to turn on before you arrive home or have it automatically turn on when the weather is cold.
- Smart Room Temperature Control - 59°F - 82°F or 15°C - 28°C
- 1465W 5120 BTU, heats up to 500 Sq. Ft
- 50000 hours lifetime LED light source
- Approved for Outdoor Installations*
- Designed with front flow heating and hidden venting so that the unit can be recessed or semi flush mounted.
- A clean reduced trim kit allows for a large viewing area with true lifelike flames that can not be rivaled.
- Adjustable flame brightness and speed that can be turned on separately.
- Adjustable ember bed colors that allow for the possibility of auto mixing thousands of colors.
- Most quiet and reliable components in the industry
- Patented thermostatic remote comes included
- Masonary finish to trim option

TECHNICAL SPECIFICATIONS

Volts	120V 60Hz
Amps	12.5
Watts	1465 Watts
Heater On	1465 Watts high, 732 Watts low
Heater Off	27 W – TRD 33 Bespoke Insert 32.6 W – TRD 38 Bespoke Insert
Rotor Motor BTU	1 at 2.9 Watts 5120

SERIES MODELS:

TRD-33 BESPOKE Insert
TRD-38 BESPOKE Insert

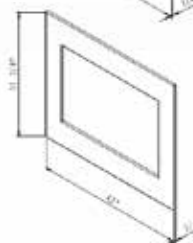
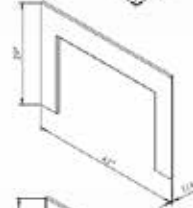
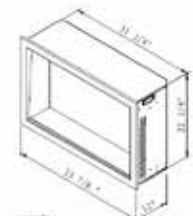


TRD-33 BESPOKE Insert

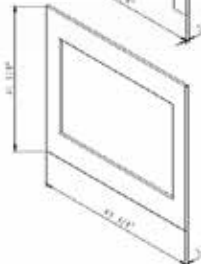
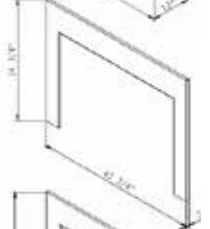
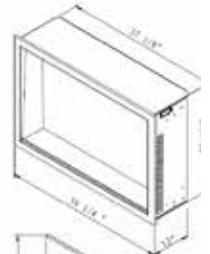


TRD-38 BESPOKE Insert

TRD-33 BESPOKE Insert



TRD-38 BESPOKE Insert





TRD-38 BESPOKE Insert

Height, Width, Depth: 27 1/4 x 37 1/8 x 12 3/8
 Glass Viewing Opening: 23 5/8 x 35 1/4
 3-piece Trim: 34 3/8 x 45 3/4 x 3/4
 4-piece Trim: 41 1/8 x 45 3/4 x 3/4
 Shipping Size: 29 5/8 x 41 6/8 x 14 4/8
 Shipping Weight: 112.2 lbs. Glass Included



TRD-33 BESPOKE Insert

Height, Width, Depth: 22 1/4 x 31 3/4 x 11 3/8
 Glass Viewing Opening: 18 3/4 x 29 7/8
 3-piece Trim: 29 x 42 x 3/4
 4-piece Trim: 35 3/8 x 42 x 3/4
 Shipping Size: 24 5/8 x 36 2/8 x 14 5/8
 Shipping Weight: 83.6 lbs. Glass Included

INCLUDED ACCESSORIES

All fireplaces come with a choice of one Designer Media Kit - Driftwood, Rustic, Birch, Split Log, Oak or Ice Media. Remote Control comes included.



Surrounds Optional:



3-Sided Surround



4-Sided Surround

YOUR CHOICE:

DESIGN-MEDIA-DRIFT-15PCE

Now includes an additional 4 mini logs (Not Shown)



DESIGN-MEDIA-BIRCH-15PCE



DESIGN-MEDIA-SPLIT-LOG-16PCE

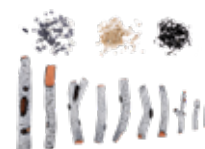


NEW

DESIGN-MEDIA-RUSTIC-14PCE



DESIGN-MEDIA-BIRCH-10PCE



ICE MEDIA

FI-109-Diamond



DESIGN-MEDIA-OAK-10PCE



TRADITIONAL SMART INSERTS

KEY FEATURES

- Can be fully recessed or semi flush mounted.
- TRD three or four sided surround required for semi flush mounted applications
- WiFi compatible to connect and control the fireplace from your smartphone with the use of our app. Available on the Google Play Store and the Apple App Store
- Three speed flame motor
- Choose from combinations of yellow, orange, and red colored flames
- Two flame pattern styles – standard and more traditional
- Flame operates with or without heat
- Choose from 11 colors of canopy and ember bed lighting to illuminate decorative media from below and above
- Touch pad for convenient control of features and temperature display on the fireplace
- Programmable timer & thermostat allows you to decide the temperature of the room. Set your fireplace to turn on before you arrive home or have it automatically turn on when the weather is cold
- Patented thermostatic remote comes included

TECHNICAL SPECIFICATIONS

Volts	120V 60Hz
Amps	10
Watts	1465 Watts
Heater On	1465 Watts high, 732 Watts low
Heater Off	22 Watts
Rotor Motor	1 at 5 Watts
BTU	5000

SERIES MODELS:

TRD 26-Smart
TRD 30-Smart
TRD 33-Smart
TRD 38-Smart

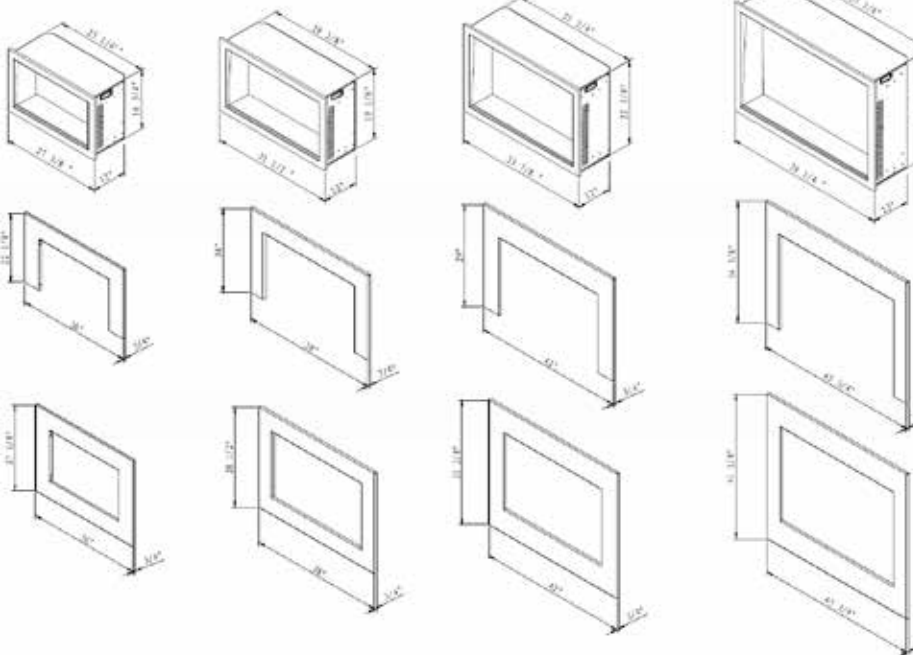


TRD 26-Smart

TRD 30-Smart

TRD 33-Smart

TRD 38-Smart



INCLUDED ACCESSORIES

Models come with 10 Piece Birch Style Log Set, 2 colors of real fireglass and 2 colors of vermiculite, plus a remote.



Surrounds Optional:



3-Sided Surround

4-Sided Surround



TRD 38-Smart

Height, Width, Depth: 27 1/4 x 37 1/8 x 12 3/8
 Glass Viewing Opening: 23 5/8 x 35 1/4
 3-piece Trim: 34 3/8 x 45 3/4 x 3/4
 4-piece Trim: 41 1/8 x 45 3/4 x 3/4
 Shipping Size: 29 5/8 x 41 6/8 x 14 4/8
 Shipping Weight: 101.5 lbs Glass Included



TRD 33-Smart

Height, Width, Depth: 22 1/4 x 31 3/4 x 11 3/8
 Glass Viewing Opening: 18 3/4 x 29 7/8
 3-piece Trim: 29 x 42 x 3/4
 4-piece Trim: 35 3/8 x 42 x 3/4
 Shipping Size: 24 5/8 x 36 2/8 x 14 5/8
 Shipping Weight: 78 lbs Glass Included

TRD 26-Smart



TRD 30-Smart



Height, Width, Depth: 16 3/4 x 25 1/4 x 11 3/8
 Glass Viewing Opening: 15 1/2 x 27 1/2
 3-piece Trim: 22 1/8 x 36 x 3/4
 4-piece Trim: 27 1/8 x 36 x 3/4
 Shipping Size: 21 4/8 x 33 7/8 x 14 5/8
 Shipping Weight: 42.3 lbs. Glass Included

Height, Width, Depth: 19 1/8 x 29 3/8 x 11 3/8
 Glass Viewing Opening: 15 1/2 x 27 1/2
 3-piece Trim: 24 x 38 x 3/4
 4-piece Trim: 28 1/2 x 38 x 3/4
 Shipping Size: 21 4/8 x 33 7/8 x 14 5/8
 Shipping Weight: 69 lbs Glass Included

TRADITIONAL SERIES | FIREPLACE & INSERT ELECTRIC FIREPLACES

FIRE GLASS

Our decorative fire glass media is a beautiful addition to your fireplace. Turn your fireplace into a expressive work of art by simply adding our decorative fire glass media. Our fire glass adds a distinctly modern feel to your gas fireplace - mix colors and textures for a unique appearance.

Our decorative fire glass is tempered and will not melt or degrade, some discoloration is normal on glass that is placed directly on the flame. Always wear protective gloves when handling fire glass media.

One 5lb container of media will cover 1 square foot.

AMSF-GLASS-01



AMSF-GLASS-02



AMSF-GLASS-03



AMSF-GLASS-04



AMSF-GLASS-05



AMSF-GLASS-06



AMSF-GLASS-07



AMSF-GLASS-08



AMSF-GLASS-09



AMSF-GLASS-10



AMSF-GLASS-11



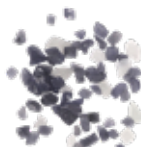
AMSF-GLASS-12



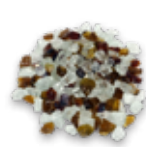
AMSF-GLASS-13



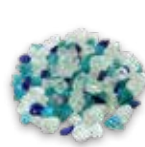
AMSF-GLASS-14



AMSF-GLASS-15



AMSF-GLASS-16



FI-105-DIAMOND



FI-107-DIAMOND



FI-109 DIAMOND



LOG SET



LRG LOG SET



CLEAR



FIRE & ICE FLAME KIT FIRE & ICE TRAY KIT

This kit provides the necessary components to enable the FIRE & ICE presentation to be included with the Amantii Smart Fireplace. The Smart models use the latest cutting edge technology and innovation to provide instant heat, realistic flame and adaptive lighting. Fire and Ice Flame and Tray Kits are available for purchase.



Images are not to scale, please visit your local dealer to view the actual accessories.

Variations in the color and shade are inherent in all printing processes, the actual colors may vary slightly from those shown.

Note: Log sets and Designer Media Kits will fit in all sizes of the following models - Panorama DEEP, TRU VIEW XL and CUBE ONLY.

(Depending on the size of the fireplace model, some logs may not be needed.)

DESIGNER MEDIA KITS

Add incredible value with designer media kits including deluxe log sets, glass and stone media and decorative embers.

DESIGN-MEDIA-BIRCH-10PCE



DESIGN-MEDIA-OAK-10PCE



DESIGN-MEDIA-NATURAL-8PCE



DESIGN-MEDIA-14PCE



14-piece log



DESIGN-MEDIA-BIRCH-15PCE



15-piece Birch log



DESIGN-MEDIA-15PCE



15-piece Drift log



DESIGN-MEDIA-6PCE



6-piece log



DESIGN-MEDIA-SPLIT-LOG-16PCE



16-piece log



DESIGN-MEDIA-BIRCH-12PCE



Birch 12-piece log

Approved for use in the following Amantii Electric Fireplaces: Tru View XL Deep, TRV XL-XT, Panorama BI-Deep XT, Symmetry XT, Symmetry XT Bespoke, Traditional (TRD) Bespoke, Traditional (TRD) 33", 38", 44", 48"



TRD 33-Smart Insert shown with
Birch Logs and optional 4-sided trim

AM-TRD-BROCH-US SEPT 2022

Distributed By:

Product updates, specifications and dimensions are subject to change. Please refer to the product manual to verify measurements and clearance requirements. All local building codes must be followed.

Amantii

Visit our online showrooms at:

www.amantii.com

ZECL-31-3228-STL

ELECTRIC FIREPLACES
INDOOR

Amantii



ZECL-31-3228-STL-ARCH
Shown with Arch surround and Drift log media






ZECL-31-3228-STL-SQR
Shown with Square surround and Birch log media


ZECL-31-3228-STL | ELECTRIC FIREPLACES


Amantii & Sierra Flame Zero Clearance electrics are perfect for new construction or renovation projects. Designed to be fully enclosed, zero clearance fireplaces are an excellent and economical option to gas or wood burning fireplaces.

The ZECL-31-3228 features an extra deep tray and new heavy gauge steel surround. Comes with deluxe log set installed PLUS your choice of Ember or Ice media options. Also choice of arched or square steel surround.

KEY FEATURES

-  Heater & Fan
Flame operates with or without heat
-  Hard-wire ready.
Thermostat hard-wire ready
-  Temperature maintenance control - keep your space warm and cozy

 Three light strips allow for yellow, orange, blue, violet and rose colored flames.

 Perfect for zone heating. Approx. 500 sq. ft. 5000 BTUs

IDEAL APPLICATIONS

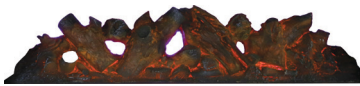
- Residential spaces
- Commercial spaces
- New construction
- Renovation projects

TECHNICAL SPECS

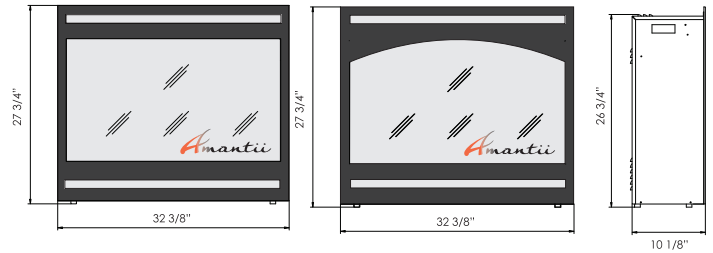
Volts	120
Amps	13
Watts	1500 max
Heater On	1500 watts high, 750 watts low
Heater Off	22 watts
Rotor Motor	1 at 5 watts
BTU	5000

INCLUDED ACCESSORIES

The Zero Clearance series come with log set and a remote.



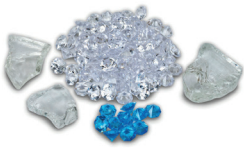
*Remote control may not be exactly as shown



ZECL-31-3228-STL-SQR

ZECL-31-3228-STL-ARCH

Optional decorative media available for purchase

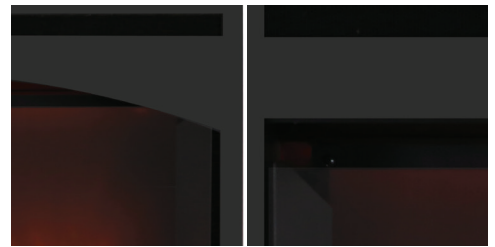


ICE Media Set



EMBER Media Set
Clear, Suntea, Harvest Moon

Thick heavy gauge steel surrounds



ZECL-31-3228-STL-ARCH

*Height, Width, Depth: 27 x 32 1/4 x 10
Surround Size: 32 1/2 x 25 5/8
**Shipping Size Unit: 35 3/4 x 13 x 30
**Shipping Size Steel Front: 35 x 3 x 30
Shipping Weight: 68 lbs. Glass Included



ZECL-31-3228-STL-SQR

*Height, Width, Depth: 27 x 32 1/4 x 10
Surround Size: 32 1/2 x 25 5/8
**Shipping Size Unit: 35 3/4 x 13 x 30
**Shipping Size Steel Front: 35 x 3 x 30
Shipping Weight: 68 lbs. Glass Included

FREESTAND FIREPLACES

Amantii

SIERRA  FLAME



Lynwood W76

THE CUBE SMART

ALLURING & MODERN

The stylish Cube 3 sided electric fireplace is truly innovative! The stunning flame presentation and unique media options can now be viewed from almost any angle through 3 sides of glass viewing area.

The Cube features two flame sets, ambient canopy lighting in 13 colors to illuminate the decorative media like never before and our exclusive FIRE & ICE® flame presentation that allows users to choose from blue, rose, violet, yellow or orange colored

KEY FEATURES

- 3 sided built in electric fireplace
- WiFi Compatible to connect and control the fireplace from your smartphone with the use of our app. Available on the Google Play Store and Apple App Store
- Three speed flame motor
- Heat Outdoor 5000 BTU
- No unsightly venting and grills seen. A true clean and vent free look
- Programmable timer & thermostat allows you to decide the temperature of the room. Set your fireplace to turn on before you arrive home or have it automatically turn on when the weather is cold.

flames with just a click of the remote control

Customize the appearance of the Cube further by utilizing the included 10 piece log set, charcoal grey real fireglass media and two bags of vermiculite, in black and white. Further media options available for additional purchase.

With three distinct styles to choose from the Cube is perfect for any space, inside or out including bathrooms and kitchens.

- Touch pad for convenient control of the features and temperature display from the fireplace.
- Choose from combinations of yellow, orange and red colored flames
- Approved for indoor or outdoor applications*
- Choose from 11 colors of canopy and ember bed lighting to illuminate decorative media from below and above
- Two flame pattern styles – standard and more traditional
- New patented thermostatic remote comes included

**Manufacturer guidelines regarding outdoor installation must be followed. Please refer to the owner's manual for additional information*

IDEAL APPLICATIONS

- Residential spaces
- Patios
- Outdoor spaces
- Commercial spaces
- Restaurants
- New construction or renovations

TECHNICAL SPECS

Volts	120
Amps	13
Watts	1500 max
Heater On	1500 watts high, 750 watts low
Heater Off	22 watts
Rotor Motor	1 at 5 watts
BTU	5000



Wi-Fi

CUBE 2025WM WITH SPEAKER BASE



CUBE 2025WM WITH LEG BASE



CUBE 2025WM Speaker Base Dimensions
*Height, Width, Depth: 17 3/4 x 19 5/8 x 11 3/4



Leg Base Dimensions
*Height, Width, Depth: 7x 20 1/2 x 12 5/8



Leg Base is not approved for use outdoors.



Speaker Base



Leg Base

INCLUDED ACCESSORIES

Each unit comes with a 10 piece log set, charcoal grey real fireglass media and two bags of vermiculite, in black and white, and a remote.



MEASUREMENTS

CUBE WITH SPEAKER BASE

43" x 19 5/8" x 11 3/4"

CUBE WITH LEG BASE

33 5/8" x 19 5/8" x 11 3/4"

LEG BASE

7" x 20 1/2" x 12 5/8"

THE FREESTAND

STYLISH & VERSATILE

A distinctly European styled free standing electric fireplace from Sierra Flame by Amantii. Featuring a beveled glass viewing area that gives an almost 'see-thru' effect on three sides.

With no installation boundaries, no need for mounting brackets or building into a wall, this free stand model goes in any room you like. Virtually no assembly required - just simply plug in and enjoy!

KEY FEATURES

- 3 Sided panoramic design helps you appreciate the flame in a better view
- WiFi Compatible to connect and control the fireplace from your smartphone with the use of our app.
- Available on the Google Play Store and Apple App Store
- Three Flame Speeds
- New multi programmable remote comes included
- Programmable timer & thermostat allows you to decide the temperature of the room. Set your fireplace to turn on before you arrive home or have it automatically turn on when the weather is cold
- Choose from combinations of red, yellow and orange flame colors
- Touch pad for convenient control of features and temperature display of the fireplace
- Choose from 11 colors of canopy and ember bed lighting to illuminate decorative media from below and above
- Produces up to 5000 BTU of heat, enough to heat up 500 sq ft of space

- **Included Media** – 10 piece birch like log set, 2 color of fireglass, two bags of vermiculite in black and white color



IDEAL APPLICATIONS

- Perfect for the cabin
- Basements
- Living rooms
- Den or office
- Bedrooms

TECHNICAL SPECS

Volts	120
Amps	12.5
Watts	1500 max
Heater On	1500 watts high, 750 watts low
Heater Off	22 watts
Rotor Motor	1 at 5 watts
BTU	5000



FS-26-922

*Height, Width, Depth: 28 x 25 5/8 x 17 1/2

Glass Viewing Area: 9 x 22

**Shipping Size: 31 8/9 x 22 2/3 x 28 1/2

Shipping Weight: 81.50 lbs.

LYNWOOD W76

DARE TO IMAGINE THE MOST IMPRESSIVE CAST IRON WOOD STOVE

With its refined look, the W76 completely redefines the true nature of wood heating. Environmentally friendly, this cast iron, non catalytic fireplace is EPA certified with an incredibly low particle emissions rate.

Behind its large doors, the combustion chamber can contain an impressive amount of logs to heat up spaces and burn for hours, and this with the greatest respect for environmental standards.

IDEAL APPLICATIONS

- Perfect for the cabin
- Basements
- Living rooms
- Den or office
- Bedrooms



KEY FEATURES

- EPA Certified
- Heats up 2000 ft²
- 78% maximum efficiency
- 13,784 to 57,674 BTU/hr
- Massive glass for fire viewing
- Log Size – 21"
- Construction: Cast Iron
- Weight: 500 lbs



LYNWOOD W76

*Height, Width, Depth: 30 3/4" x 22 5/8" x 32 5/8"

Glass Viewing Area: 20 1/2" (W) x 12" (H)

**Shipping Size: 39" x 25 1/2" x 42"

Shipping Weight: 540 lbs.

LYNWOOD ELECTRIC: E50 & E70

- Real Cast Iron Construction.
- Rated for indoor applications only
- State of the art Fire and Ice flame set- with a simple click of the remote change the flame from traditional colors such as orange to contemporary colors such as rose, purple and violet and icy blue color. A spectrum of colors.
- Two Flame sets and canopy lighting in 13 color themes, creates the illusion of a real fire
- Flame effect can be used with or without heat
- On demand heat with two heat settings. Thermostat and Hardwire Ready
- Produces up to 5000 BTU of heat, enough to heat up 500 sq. ft
- Lower heat vent, allows the heat to flow directly to floor level
- Includes a multi-function remote
- Fan Noise: 43dB



E50



E70

E50 NA	Freestanding Electric Fireplace Cast Iron Construction
E70 NA	Freestanding Electric Fireplace Cast Iron Construction

Tech Specs

		E50	E70
Volts		120	120
Amps		12.5	12.5
Watts		1500	1500
Heater	HIGH	1500 Watts	1500 Watts
	LOW	75 Watts	75 Watts
No Heater		19 Watts	19 Watts
Lamps	TYPE	LED	LED
	TOTAL WATTS	19 Watts	19 Watts
Rotor Motor		1 at 5 watts	1 at 5 watts
Height, Width, Depth		28 1/4" x 23 1/8" x 17 1/2"	28 1/4" x 27 7/8" x 17 1/2"
Glass Size		13 1/8" x 16 3/8"	13 1/8" X 21 1/4"
Approx. Heating Area		400 sq ft	400 sq ft

Media Included

Provided media include: 10 piece realistic birch like logs, 2 colors of fireglass, two bags of vermiculite in black and white colors. **Additional media is available for purchase for this series*



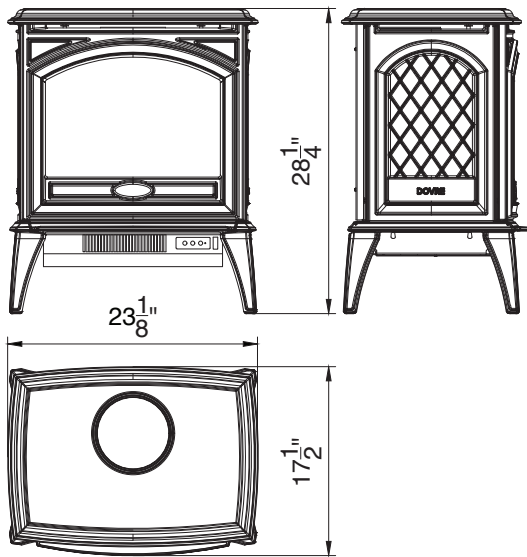
DESIGN-MEDIA-BIRCH-10PCE



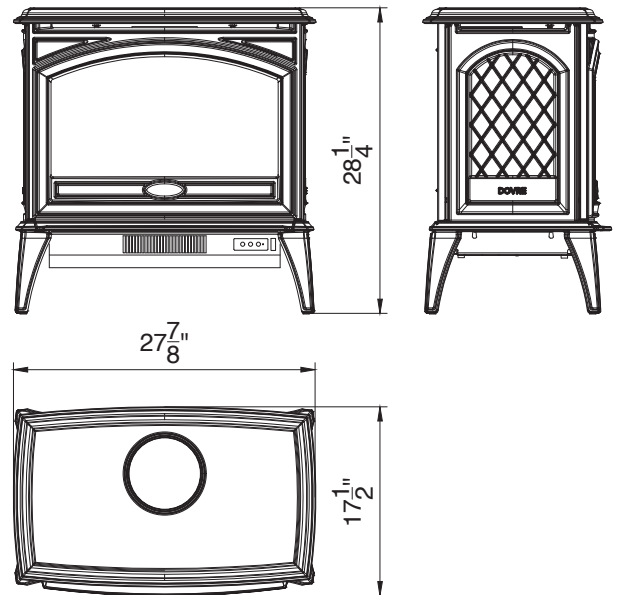
Lynwood E70 electric fireplace shown with the Split Log media



Lynwood E50 electric fireplace shown with the Oak log media



E50



E70



Lynwood E50 electric fireplace
shown with the Birch log media

AMSF-FREESTAND-US

Jan 2023

Distributed By:

We reserve the right to update products, specifications and dimensions are subject to change. Please refer to the product manual to verify measurements and clearance requirements. All local building codes must be followed.

Amantii

SIERRA FLAME

Visit our online showrooms at:

www.amantii.com
www.sierraflame.com

INSERT SERIES

ELECTRIC FIREPLACES

Amantii SIERRA FLAME



TRD-33 shown with Birch Logs
and 3-sided surround

ELECTRICS BY SIERRA FLAME

Breathe new life into existing masonry or metal fireplaces with an elegant Sierra Flame Electric Insert in two sizes. Designed as a good alternative for wood or gas inserts, these electric inserts are quick and easy to install which makes it an ideal application if you are renovating an existing fireplace. Ideal for Home Improvement Projects.

The Insert Series offers a vibrant multi-colored state-of-the-art flame that is easily changed from blue to purple to violet to orange or yellow with just a click of the remote.

KEY FEATURES

- Great alternative for wood or gas inserts
- Perfect for renovations or retrofits
- 2 popular sizes
- Heat is vented upwards from overlay
- Hard-wire ready
- Stunning 'Gradient' Flame
- Black Steel surround
- No grills
- 4 stage front and 4 stage internal back lighting
- Latest LED light technology
- Front and rear control for flame and heater included
- Can produce up to 5000 BTU of heat, enough to heat up to 500 sq feet
- Flame operates with or without heat
- Remote control for flame and heater
- 4 leveling legs on the underside
- Plug on the left side

INCLUDED ACCESSORIES



**Remote control may not be exactly as shown*

IDEAL APPLICATIONS

- Retrofits
- Into existing metal or masonry fireplaces
- New construction
- Renovation projects

TECHNICAL SPECS

Volts	120
Amps	13
Watts	1500 max
Heater On	1500 watts high, 750 watts low
Heater Off	22 watts
Rotor Motor	1 at 5 watts
BTU	4800

SERIES MODELS:

Steel front INS 30, INS 34



INS-FM-30

*Height, Width, Depth: 25 x 38 x 10

Glass Viewing Area: 15 3/8 x 23 1/2

Surround Size: 24 7/8 x 38

**Shipping Size: 41 x 13 x 27 1/3

Shipping Weight: 76.06 lbs. Glass Included

INS-FM-34

*Height, Width, Depth: 30 x 42 x 10 1/8

Glass Viewing Area: 17 3/8 x 27 5/8

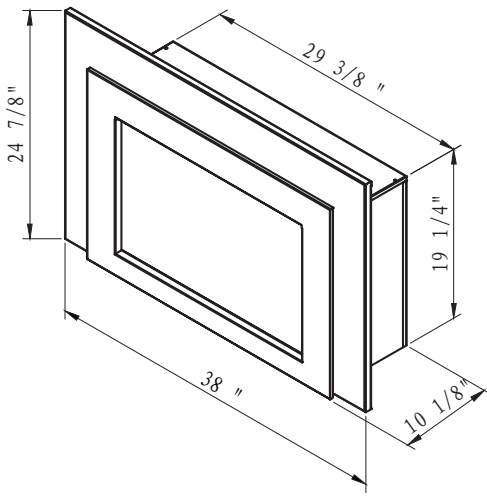
Surround Size: 30 x 42

Shipping Size: 44 7/8 x 13 x 32 2/3

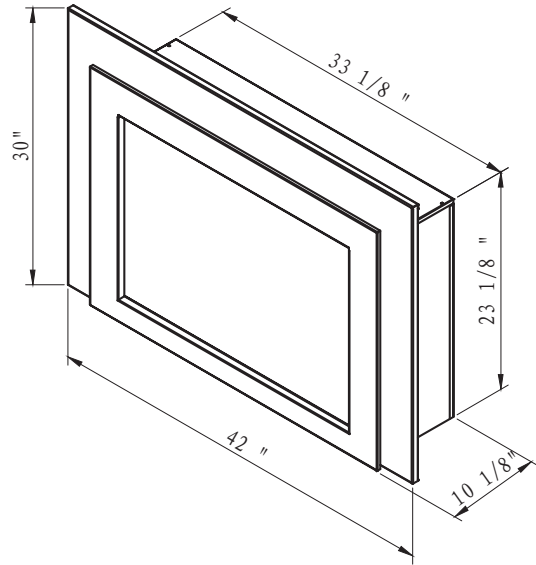
Shipping Weight: 92.37 lbs. Glass Included



INS-FM-30



INS-FM-34



TRD-Inserts-US Jan 2023

Distributed By:



Visit our online showrooms at:

www.amantii.com

We reserve the right to update products, specifications and dimensions are subject to change. Please refer to the product manual to verify measurements and clearance requirements. All local building codes must be followed.

TRU-VIEW BESPOKE

ELECTRIC FIREPLACE

Amantii



TRV55-Bespoke



TRV75-Bespoke



Modular Configuration as shown -
Two 45" TRV Bespoke units



TRV45-Bespoke



TRV65-Bespoke

TRU VIEW BESPOKE

ELECTRIC PERFECTION

Introducing the Tru View Bespoke series from Amantii Electric, the ultimate in electric fires, using cutting edge technology and innovation to provide instant heat, realistic flames and adaptive ambiance to your living space.

The Tru View Bespoke is the outstanding result of extensive research and development, meticulous attention to detail, and the highest standard of quality. With a host of innovative features, our electric fires are unrivalled in their class.

A versatile design that can be installed in a multitude of ways; connect multiple units to make a bold statement.

Unlike other fireplaces, the Tru View Bespoke features customizable installation and connectable units for a grand masterpiece. With the fireplace, optional connection pieces come included.

Instant heat at your fingertips.

Part of the Tru View Bespoke design is to ensure that the fireplace offers clear and simple control-ability. While functionality may have advanced and become more dynamic, we believe intuitive interaction is paramount.

The Tru View Bespoke can be controlled in three ways:


- Manually using the multi function control panel discretely located on the fireplace.
- With the intuitive remote control
- Through your smart device using WiFi connectivity.

With WiFi connectivity, enhance your experience with our smart app that enables you to control your fireplace from anywhere! The app allows you to set tailored programs, schedule on/off times, set temperatures, design custom light effects and so much more.

ADDITIONAL FEATURES

- Available in sizes 45", 55", 65", 75" and 85"
- Biggest and the Best - 20" Viewing area
- Double the heat output from 5000 to 10,000, when two units are joined together on 120V
- TRV 45 comes with 1 heater fan, Max 5000 BTU on 120V
- The TRV 55, 65, 75 & 85 come with 2 heater fans, Max 5000 BTU on 120V, or 10,000 BTU on 240V
- Electrical & BTU
 - 120V, 1500W, 12.5 A and 5,000 BTU
 - 240V, 2500W, 10.4 A and 10,000 BTU
 - 2 units together 240V, 20,000 BTU

KEY FEATURES

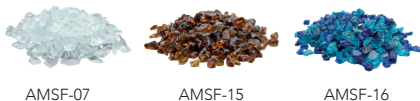
- 5 Year Warranty
- Fire & Sound – Two (2) quality audio speakers deliver a fire crackling sound. The audio is an ON/OFF feature that can be controlled through the WiFi app.
- WiFi compatible to connect and control the fireplace from your smartphone with the use of our app. Available on the Google play store and the Apple App Store.
- Bluetooth Connectivity – Featuring a fireplace with high quality audio from Bluetooth speakers. Simply pair your phone with the fireplace and press play on your smartphone. 
- Programmable timer & thermostat allows you to decide the temperature of the room. Set the fireplace to turn on before you arrive home or have it automatically turn on when the weather is cold.
- Smart Room Temperature Control - 59°F - 82°F or 15°C - 28°C
- 1465W 5000 BTU, heats up to 500 Sq. Ft. May also be wired up to 220 volts to increase the BTU output to 10,000 and heats up to 800-1,000 Sq. Ft.
- 50000 hours lifetime LED light source
- Approved for Outdoor Installations*
- Designed with front flow heating and hidden venting so that the unit can be recessed or semi flush mounted
- A clean reduced trim kit allows for a large viewing area with true lifelike flames that can not be rivaled.
- Adjustable flame brightness and speed that can be turned on separately.
- Adjustable ember bed colors that allow for the possibility of auto mixing thousands of colors.
- Most quiet and reliable components in the industry
- Patented thermostatic remote comes included
- Masonry finish to trim option

**Manufacturer guidelines regarding outdoor installation must be followed. Please refer to the owner's manual for additional information*

INCLUDED ACCESSORIES



FIREGLASS MEDIA



YOUR CHOICE:

DESIGN-MEDIA-DRIFT-15PCE

Now includes an additional 4 mini logs (Not Shown)



DESIGN-MEDIA-RUSTIC-14PCE



ICE MEDIA



FI-109-Diamond



DESIGN-MEDIA-BIRCH-15PCE



DESIGN-MEDIA-SPLIT-LOG-16PCE



NEW

DESIGN-MEDIA-OAK-18PCE OPTIONAL



NEW



TECHNICAL SPECS

	TRV 45 BESPOKE	TRV 55 BESPOKE		TRV 65 BESPOKE	
Volts	120 V	120 V	240V	120 V	240V
Amps	12.5 A	12.5 A	12.1A	12.5 A	12.1 A
Watts	1465 W	1465 W	2930 W	1465 W	2930 W
BTU	5000	5000	10000	5000	10000
Heater - High	1465 W	1465 W	2930 W	1465 W	2930 W
Heater - Low	750 W	750 W	1500 W	750 W	1500 W
No Heater	45.2 WATTS MAX	46.3 WATTS MAX	46.3 WATTS MAX	57.1 WATTS MAX	57.1 WATTS MAX
Lamps - Quantity	150 PCS LED	192 PCS LED	192 PCS LED	218 PCS LED	218 PCS LED
Lamps - Watts	0.5 W & 0.15 W & 0.06 W	0.5 W & 0.15 W & 0.06 W	0.5 W & 0.15 W & 0.06 W	0.5 W & 0.15 W & 0.06 W	0.5 W & 0.15 W & 0.06 W
Total Watts	31.4 W	32.3W	32.3W	43.3 W	43.3 W
Step Motor	3 AT 8.7 WATTS	3 AT 8.7 WATTS	3 AT 8.7 WATTS	3 AT 8.7 WATTS	3 AT 8.7 WATTS
Appliance Size W*H*D	46 1/8" x 29 3/8" x 15"	56 1/8" x 29 3/8" x 15"		66 1/8" x 29 3/8" x 15"	
	117.2 x 74.6 x 38.2 cm	142.7 x 74.6 x 38.2 cm		168.1 x 74.6 x 38.2 cm	
Glass Viewing Opening W1*H1	45" x 20"	55" x 20"		65" x 20"	
	114.3 x 50.9 cm	139.7 x 50.9 cm		165.1 x 50.9 cm	
Surround Size W2*H2	45 1/4" x 29 5/8" x 13 1/4"	55 1/4" x 29 5/8" x 13 1/4"		65 1/4" x 29 5/8" x 13 1/4"	
	114.8 x 75.2 x 33.6 cm	140.2 x 75.2 x 33.6 cm		165.6 x 75.2 x 33.6 cm	
Shipping Size	51 5/8" x 18 7/8" x 34 5/8"	61 5/8" x 18 7/8" x 34 5/8"		71 5/8" x 18 7/8" x 34 5/8"	
	131 x 48 x 88 cm	156.4 x 48 x 88 cm		181.8 x 48 x 88 cm	
Shipping Weight	155.5 LBS (70.7) KGS	184.8 LBS (84)KGS		211.2 LBS (96)KGS	
Plug Location	LEFT SIDE	LEFT SIDE		LEFT SIDE	
Cord Length	70.9<L<95.5	70.9<L<95.5		70.9<L<95.5	
Approx Heating Area	400 SQ FT	400 SQ FT		400 SQ FT	

	TRV 75 BESPOKE		TRV 85 BESPOKE	
Volts	120V	240V	120 V	240V
Amps	12.5 A	12.1 A	12.5 A	12.1 A
Watts	1465 W	2930 W	1465 W	2930 W
BTU	5000	10000	5000	10000
Heater - High	1465 W	2930 W	1465 W	2930 W
Heater - Low	750 W	1500 W	750 W	1500 W
No Heater	67.7 WATTS MAX	67.7 WATTS MAX	73.1 WATTS MAX	73.1 WATTS MAX
Lamps - Quantity	291 PCS LED	291 PCS LED	335 PCS LED	335 PCS LED
Lamps - Watts	0.5 W & 0.15 W & 0.06 W	0.5 W & 0.15 W & 0.06 W	0.5 W & 0.15 W & 0.06 W	0.5 W & 0.15 W & 0.06 W
Total Watts	54.2 W	54.2 W	59.6 W	59.6 W
Step Motor	3 AT 8.7 WATTS	3 AT 8.7 WATTS	3 AT 8.7 WATTS	3 AT 8.7 WATTS
Appliance Size W*H*D	76 1/8" x 29 3/8" x 15"		86 1/8" x 29 3/8" x 15"	
	193.5 x 74.6 x 38.2 cm		218.9 x 74.6 x 38.2 cm	
Glass Viewing Opening W1*H1	75" x 20"		85" x 20"	
	190.5 x 50.9 cm		215.9 x 50.9 cm	
Surround Size W2*H2	75 1/4" x 29 5/8" x 13 1/4"		85 1/4" x 29 5/8" x 13 1/4"	
	191 x 75.2 x 33.6 cm		216.5 x 75.2 x 33.6 cm	
Shipping Size	81 5/8" x 18 7/8" x 34 5/8"		91 5/8" x 18 7/8" x 34 5/8"	
	207.2 x 48 x 88 cm		232.6 x 48 x 88 cm	
Shipping Weight	245.3 LBS (111.5)KGS		280.5 LBS (127.5)KGS	
Plug Location	LEFT SIDE		LEFT SIDE	
Cord Length	70.9<L<95.5		70.9<L<95.5	
Approx Heating Area	400 SQ FT		400 SQ FT	

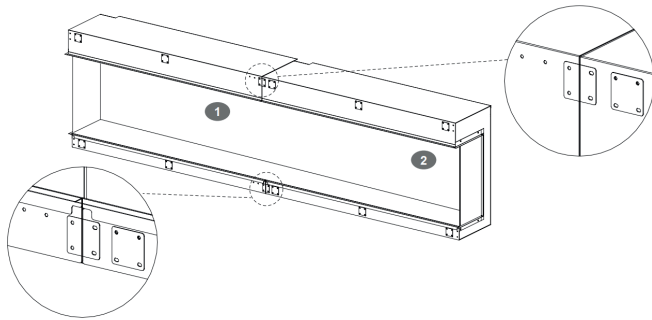


THE COMBINATION POSSIBILITIES ARE ENDLESS

It is possible to make multiple sizes by simply placing two or three units together of any size. A linear fireplace of 90" can be created by joining two 45" Tru View Bespoke units together.

Combine a 55" and 65" Tru View Bespoke for 120". Combining two units of 75" would be a custom 150" electric fireplace. A Tru View Bespoke linear fireplace of 185" would consist of two 55" and one 75" unit.

Anything can be combined, and the possibilities are endless



45" & 45" for 90"
 45" & 55" for 100"
 45" & 65" for 110"
 45" & 75" for 120"
 45" & 85" for 130"
 75" & 45" for 120"
 75" & 55" for 130"
 75" & 65" for 140"
 75" & 75" for 150"
 75" & 85" for 160"



TRV 45 Bespoke

55" & 45" for 100"
 55" & 55" for 110"
 55" & 65" for 120"
 55" & 75" for 130"
 55" & 85" for 140"
 85" & 45" for 130"
 85" & 55" for 140"
 85" & 65" for 150"
 85" & 75" for 160"
 85" & 85" for 170"



TRV 55 Bespoke



TRV 65 Bespoke

65" & 45" for 110"
 65" & 55" for 120"
 65" & 65" for 130"
 65" & 75" for 140"
 65" & 85" for 150"



TRV 75 Bespoke



TRV 85 Bespoke

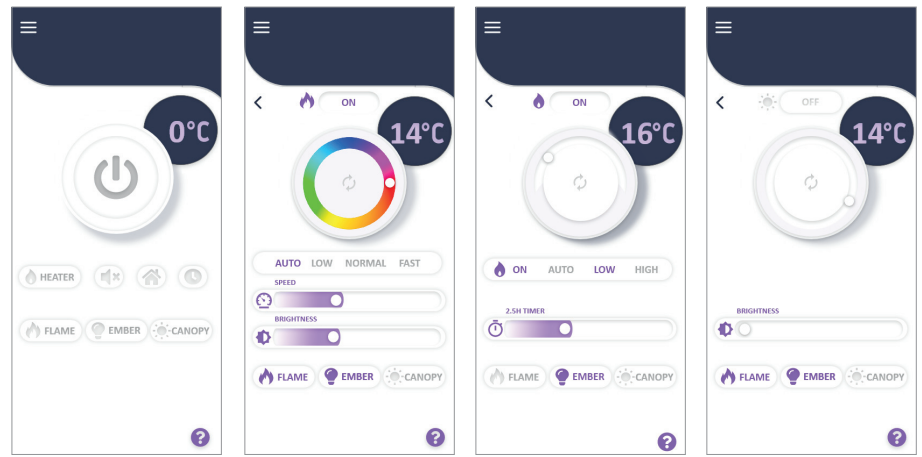
INTRODUCING...

THE AMANTII SMART APP

SMART TECHNOLOGY, SMART CONTROL

With Amantii, the combination of functionality with applied smart technology creates the ultimate heating experience. Complete with WiFi connectivity, enhance the user experience with our Smart App that enables you to control your appliance from anywhere! Our app allows you to set tailored programs, schedule the exact date and time you wish to heat your room and select a desired temperature, design custom fire light effects, plus much more.

**It is important to note that the App's interface is subject to change*



HOME

FLAME SETTINGS, BRIGHTNESS, COLOR & SPEED

HEATER OPTIONS

CANOPY SETTINGS
 Display of how the setting is off

Tru-View-Bespoke US Dec 2022

Distributed By:



Visit our online showrooms at:

www.amantii.com

We reserve the right to update products, specifications and dimensions are subject to change. Please refer to the product manual to verify measurements and clearance requirements. All local building codes must be followed.

TRU-VIEW SERIES

ELECTRIC FIREPLACES

Amantii



50-TRV-XT-XL shown with Drift Logs

SLIM SMART

Tru View Slim Smart electric fireplaces are designed to fit into a 2" x 4" wall opening size since they have a depth of 4 inches. Available in five sizes, 30", 40", 50", 60" and 72", you'll find a unit that is perfect for any space in your home or commercial space. The Tru View Slim Smart is perfectly suited to installations where wall depth is at a premium.

Boasting high intensity LED flames allowing for multi color flame options, WiFi compatibility, 3 flame speeds and a thermostatic remote control.

The Tru View Slim Smart comes standard with a 10 piece birch log set and charcoal and black fireglass

KEY FEATURES

- 3 sided built in electric fireplace
- WiFi Compatible to connect and control the fireplace from your smartphone with the use of our app. Available on the Google Play Store and Apple App Store
- Three speed flame motor
- Heat Outdoor 5000 BTU
- No unsightly venting and grills seen. A true clean and vent free look
- Programmable timer & thermostat allows you to decide the temperature of the room. Set your fireplace to turn on before you arrive home or have it automatically turn on when the weather is cold.
- Touch pad for convenient control of the features and temperature display from the fireplace.
- Choose from combinations of yellow, orange and red colored flames
- Approved for indoor or outdoor applications.*
- Choose from 11 colors of canopy and ember bed lighting to illuminate decorative media from below and above
- Two flame pattern styles – standard and more traditional
- New patented thermostatic remote comes included

IDEAL APPLICATIONS

- Apartments
- New construction or renovations
- Outdoor spaces

TECHNICAL SPECS

Volts	120
Amps	12.5
Watts	1465 max
Heater On	1465 W high, 750 W low
Heater Off	25 W
Rotor Motor	1 at 5 W
BTU	5000



Wi-Fi

30-TRV-SLIM



Shown with optional media.

*Height, Width, Depth: 26 5/8 x 33 1/4 x 10 5/8
 Glass Viewing Area: 15 5/8 x 29 5/8
 Surround Size: No surround
 **Shipping Size: 29 1/8 x 37 1/2 x 12 5/8
 Shipping Weight: 85 lbs. Glass Included

40-TRV-SLIM



Shown with optional media.

*Height, Width, Depth: 26 5/8 x 43 1/4 x 10 5/8
 Glass Viewing Area: 15 5/8 x 39 5/8
 Surround Size: No surround
 **Shipping Size: 29 1/8 x 47 1/2 x 12 5/8
 Shipping Weight: 104 lbs. Glass Included

60-TRV-SLIM

*Height, Width, Depth: 26 5/8 x 63 1/4 x 10 5/8
Glass Viewing Area: 15 5/8 x 59 5/8
Surround Size: No surround
**Shipping Size: 29 1/8 x 67 1/2 x 12 5/8
Shipping Weight: 140 lbs. Glass Included



Shown with optional media.

72-TRV-SLIM

*Height, Width, Depth: 26 5/8 x 75 1/4 x 10 5/8
Glass Viewing Area: 15 5/8 x 71 5/8
Surround Size: No surround
**Shipping Size: 29 1/8 x 79 1/2 x 12 5/8
Shipping Weight: 167 lbs. Glass Included



Shown with optional media.

50-TRV-SLIM



*Height, Width, Depth: 26 5/8 x 53 1/4 x 10 5/8
Glass Viewing Area: 15 5/8 X 49 5/8
Surround Size: No surround
**Shipping Size: 29 1/8 x 57 1/2 x 12 5/8
Shipping Weight: 121 lbs. Glass Included

INCLUDED ACCESSORIES

The TRU VIEW SLIM series comes with a 10 piece log set and Charcoal grey fire glass, vermiculite, black fire glass plus a remote.



XL DEEP SMART

Infused with the timeless beauty of fireplaces, the Tru View XL Deep Smart brings it to the modern age. Three sided, two sided, or front facing installation is possible with the included end panels and edge to edge 3-sided glass.

This visually stunning fireplace is available in 4 sizes, 40", 50", 60", and 72", and will turn heads while adding warmth, ambiance, and style to any room. Designed for finishing material to be built flush to the lip for a truly clean, edge to edge finish. No trim or surround is included.

The Tru View XL Deep Smart series includes your choice of Design Media Log Sets– 15 Piece Driftwood, 14 Piece Rustic, 15 Piece Birch, 16 Piece Split Log and the Ice Media Kit

KEY FEATURES

- 3 sided built in electric fireplace
- WiFi Compatible to connect and control the fireplace from your smartphone with the use of our app. Available on the Google Play Store and Apple App Store
- Three speed flame motor
- Heat Outdoor 5000 BTU
- No unsightly venting and grills seen. A true clean and vent free look
- Programmable timer & thermostat allows you to decide the temperature of the room. Set your fireplace to turn on before you arrive home or have it automatically turn on when the weather is cold.
- Touch pad for convenient control of the features and temperature display from the fireplace.
- Choose from combinations of yellow, orange and red colored flames
- Approved for indoor or outdoor applications.*
- Choose from 11 colors of canopy and ember bed lighting to illuminate decorative media from below and above
- Two flame pattern styles – standard and more traditional
- New patented thermostatic remote comes included

IDEAL APPLICATIONS

- Residential spaces
- Patios
- Outdoor spaces
- Commercial spaces
- Restaurants
- New construction or renovations

TECHNICAL SPECS

Volts	120
Amps	12.5
Watts	1465 max
Heater On	1465 W high, 750 W low
Heater Off	25 W
Rotor Motor	1 at 5 W
BTU	5000



40-TRV-XL DEEP



*Height, Width, Depth: 26 5/8 x 43 1/4 x 14 1/4
 Glass Viewing Area: 15 5/8 x 34 1/4
 Surround Size: No surround
 **Shipping Size: 32 1/3 x 51 2/9 x 16
 Shipping Weight: 121 lbs. Glass Included

60-TRV-XL DEEP



*Height, Width, Depth: 26 5/8 x 63 1/4 x 14 1/4
 Glass Viewing Area: 15 5/8 x 59 5/8
 Surround Size: No surround
 **Shipping Size: 32 1/3 x 70 5/8 x 16
 Shipping Weight: 161 lbs. Glass Included

50-TRV-XL DEEP

*Height, Width, Depth: 26 5/8 x 53 1/4 x 14 1/4
 Glass Viewing Area: 15 5/8 x 45 1/4
 Surround Size: No surround
 **Shipping Size: 32 1/3 x 60 5/8 x 16
 Shipping Weight: 141 lbs. Glass Included



72-TRV-XL DEEP



*Height, Width, Depth: 26 5/8 x 75 1/4 x 14 1/4
 Glass Viewing Area: 125 5/8 x 68 3/4
 Surround Size: No surround
 **Shipping Size: 32 1/3 x 86 7/9 x 16
 Shipping Weight: 192 lbs. Glass Included

INCLUDED MEDIA OPTIONS

The Tru View XL Deep series includes your choice of Design Media Kit – 15 PCE Driftwood, 14 PCE Rustic, 15 PCE Birch, 16 PCE Split Log or Ice Media Kit

AVAILABLE OPTIONS

DESIGN-MEDIA-DRIFT-15PCE
 Now includes an additional 4 mini logs (Not Shown)



DESIGN MEDIA RUSTIC -14 PCE



DESIGN-MEDIA-BIRCH-15PCE



ICE MEDIA



DESIGN-MEDIA-SPLIT-LOG-16PCE
 OPTIONAL



DESIGN-MEDIA-OAK-18PCE
 OPTIONAL



NEW

XL EXTRA TALL SMART

Introducing flames into your living space can not be easier with our stunning Tru View XL Extra Tall Smart Fireplaces. With the Tru View XL Extra Tall series, you'll find a selection of logs, embers, and glass media to create the stunning illusion of flames.

This unit can be built into a wall as a single sided, left corner, right corner, or three sided bay. Using this versatility, you can create some truly unique installations for standard rooms or rooms with unusual configurations.

With 22" in glass viewing height you'll enjoy unobstructed viewing of the high intensity LED flame effects. Our Tru View XL Extra Tall Smart is truly a showstopper.

KEY FEATURES

- 3 sided built in electric fireplace
- WiFi Compatible to connect and control the fireplace from your smartphone with the use of our app. Available on the Google Play Store and Apple App Store
- Three speed flame motor
- Heat Outdoor 5000 BTU
- No unsightly venting and grills seen. A true clean and vent free look
- Programmable timer & thermostat allows you to decide the temperature of the room. Set your fireplace to turn on before you arrive home or have it automatically turn on when the weather is cold.
- Touch pad for convenient control of the features and temperature display from the fireplace.
- Choose from combinations of yellow, orange and red colored flames
- Approved for indoor or outdoor applications.*
- Choose from 11 colors of canopy and ember bed lighting to illuminate decorative media from below and above
- Two flame pattern styles – standard and more traditional
- New patented thermostatic remote comes included

IDEAL APPLICATIONS

- Residential spaces
- Patios
- Outdoor spaces
- Commercial spaces
- Restaurants
- New construction or renovations

TECHNICAL SPECS

Volts	120
Amps	12.5
Watts	1465 max
Heater On	1465 W high, 750 W low
Heater Off	25 W
Rotor Motor	2 at 5 W
BTU	5000



40-TRV-XT-XL



*Height, Width, Depth: 33 x 43 1/4 x 13 3/4
 Glass Viewing Area: 22 x 39 5/8
 Surround Size: No surround
 **Shipping Size: 35 1/4 x 47 1/2 x 15 5/8
 Shipping Weight: 126 lbs. Glass Included

50-TRV-XT-XL



*Height, Width, Depth: 33 x 53 1/4 x 13 3/4
 Glass Viewing Area: 22 x 49 5/8
 Surround Size: No surround
 **Shipping Size: 35 1/4 x 57 1/2 x 15 5/8
 Shipping Weight: 148 lbs. Glass Included

72-TRV-XT-XL

*Height, Width, Depth: 33 x 75 1/4 x 13 3/4
 Glass Viewing Area: 22 x 71 5/8
 Surround Size: No surround
 **Shipping Size: 35 1/4 x 79 1/2 x 15 5/8
 Shipping Weight: 201 lbs. Glass Included



88-TRV-XT-XL

*Height, Width, Depth: 33 x 91 1/4 x 13 3/4
 Glass Viewing Area: 22 x 87 5/8
 Surround Size: No surround
 **Shipping Size: 35 1/4 x 95 1/2 x 15 5/8
 Shipping Weight: 231 lbs. Glass Included



60-TRV-XT-XL



*Height, Width, Depth: 33 x 63 1/4 x 13 3/4
 Glass Viewing Area: 22 x 59 5/8
 Surround Size: No surround
 **Shipping Size: 35 1/4 x 67 1/2 x 15 5/8
 Shipping Weight: 170 lbs. Glass Included

INCLUDED MEDIA OPTIONS

The Tru View XL Deep Series includes your choice of Design Media Kit 15 PCE
 PCE, Rustic -14 PCE, Birch -15 PCE, Split Log -16 PCE, or Ice Media Kit

AVAILABLE OPTIONS

DESIGN-MEDIA-DRIFT-15PCE
 Now includes an additional 4 mini logs (Not Shown)



DESIGN MEDIA RUSTIC -14 PCE



DESIGN-MEDIA-BIRCH-15PCE



ICE MEDIA



FI-109-Diamond

DESIGN-MEDIA-SPLIT-LOG-16PCE
 OPTIONAL



DESIGN-MEDIA-OAK-18PCE
 OPTIONAL



NEW

THE CUBE SMART

The Cube 2025WM Smart 3-Sided electric fireplace offers an innovative fire feature with unique flame presentation and fire media options.

Use the included remote to combine the flame presentation colors of red, yellow and orange to your home with the help of today's technology and high definition LED accent lighting.

The 5000 BTU heater warms up to 500 Square Feet of space while the flames operate independently of the heater and fan. This versatile unit can be configured with a pedestal base, or as a wall mount depending on your preference. Give your home a more contemporary atmosphere with this beautiful electric fireplace.

KEY FEATURES

- 3 sided built in electric fireplace
- WiFi Compatible to connect and control the fireplace from your smartphone with the use of our app. Available on the Google Play Store and Apple App Store
- Three speed flame motor
- Heat Outdoor 5000 BTU
- No unsightly venting and grills seen. A true clean and vent free look
- Programmable timer & thermostat allows you to decide the temperature of the room. Set your fireplace to turn on before you arrive home or have it automatically turn on when the weather is cold.
- Touch pad for convenient control of the features and temperature display from the fireplace.
- Choose from combinations of yellow, orange and red colored flames
- Approved for indoor or outdoor applications.*
- Choose from 11 colors of canopy and ember bed lighting to illuminate decorative media from below and above
- Two flame pattern styles – standard and more traditional
- New patented thermostatic remote comes included

IDEAL APPLICATIONS

- Residential spaces
- Patios
- Outdoor spaces
- Commercial spaces
- Restaurants
- New construction or renovations

TECHNICAL SPECS

Volts	120
Amps	12.5
Watts	1465 max
Heater On	1465 W high, 750 W low
Heater Off	25 W
Rotor Motor	1 at 5 W
BTU	5000



Wi-Fi

CUBE 2025WM WITH SPEAKER BASE



CUBE 2025WM Smart Speaker Base Dimensions
*Height, Width, Depth: 17 3/4 x 19 5/8 x 11 3/4

*Manufacturer guidelines regarding outdoor installation must be followed. Please refer to the owner's manual for additional information



CUBE 2025WM WITH LEG BASE



Leg Base Dimensions
*Height, Width, Depth: 7x 20 1/2 x 12 5/8



Leg Base is not approved for use outdoors.

CUBE 2025WM

*Height, Width, Depth: 25 1/4 x 19 5/8 x 11 3/4

Glass Viewing Area: 15 3/8 x 16 1/2 x 3 7/8

**Shipping Size: 23 x 15 x 28

Shipping Weight: 60 lbs. Glass Included



CUBE 2025WM



CUBE 2025WM Smart is approved for use outdoors in a covered area.
Speaker Base and Leg Base are not approved for use outdoors.

INCLUDED ACCESSORIES

Each unit comes with a 10 piece log set, charcoal grey real fireglass media and two bags of vermiculite, in black and white, and a remote.



MEASUREMENTS

Nº 1. Cube with Speaker Base
43" x 19 5/8" x 11 3/4"

Nº 3. Cube Wall Mount
25 1/4" x 19 5/8" x 11 3/4"

Nº 2. Cube with Leg Base
33 5/8" x 19 5/8" x 11 3/4"

Nº 4. Leg Base
8 3/8" x 20 1/2" x 12 5/8"

TRU-VIEW SERIES | ELECTRIC FIREPLACES

FIRE GLASS

Our decorative fire glass media is a beautiful addition to your fireplace. Turn your fireplace into a expressive work of art by simply adding our decorative fire glass media. Our fire glass adds a distinctly modern feel to your gas fireplace - mix colors and textures for a unique appearance.

Our decorative fire glass is tempered and will not melt or degrade, some discoloration is normal on glass that is placed directly on the flame. Always wear protective gloves when handling fire glass media.

One 5lb container of media will cover 1 square foot.

AMSF-GLASS-01



AMSF-GLASS-02



AMSF-GLASS-03



AMSF-GLASS-04



AMSF-GLASS-05



AMSF-GLASS-06



AMSF-GLASS-07



AMSF-GLASS-08



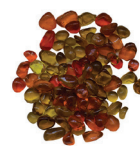
AMSF-GLASS-09



AMSF-GLASS-10



AMSF-GLASS-11



AMSF-GLASS-12



AMSF-GLASS-13



AMSF-GLASS-14



AMSF-GLASS-15



AMSF-GLASS-16



FI-105-DIAMOND



FI-107-DIAMOND



FI-109 DIAMOND



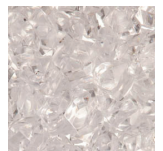
LOG SET



LRG LOG SET



CLEAR



FIRE & ICE FLAME KIT FIRE & ICE TRAY KIT

This kit provides the necessary components to enable the FIRE & ICE presentation to be included with the Amantii Smart Fireplace. The Smart models use the latest cutting edge technology and innovation to provide instant heat, realistic flame and adaptive lighting. Fire and Ice Flame and Tray Kits are available for purchase.



Images are not to scale, please visit your local dealer to view the actual accessories.

Variations in the color and shade are inherent in all printing processes, the actual colors may vary slightly from those shown.

Note: Log sets and Designer Media Kits will fit in all sizes of the following models - Panorama DEEP, TRU VIEW XL and CUBE ONLY.

(Depending on the size of the fireplace model, some logs may not be needed.)

DESIGNER MEDIA KITS

Add incredible value with designer media kits including deluxe log sets, glass and stone media and decorative embers.

DESIGN-MEDIA-BIRCH-10PCE



DESIGN-MEDIA-OAK-10PCE



DESIGN-MEDIA-NATURAL-8PCE



DESIGN-MEDIA-14PCE



14-piece log



DESIGN-MEDIA-BIRCH-15PCE



15-piece Birch log



DESIGN-MEDIA-15PCE



15-piece Drift log



DESIGN-MEDIA-6PCE



6-piece log



DESIGN-MEDIA-SPLIT-LOG-16PCE



16-piece log



NEW

DESIGN-MEDIA-BIRCH-12PCE



NEW

For XT & XT Bespoke models only
The NEW Design Media Birch 12 piece log set expands the Design Media Birch 15 piece log set, if required, and is available for purchase.

DESIGN-MEDIA-OAK-18PCE

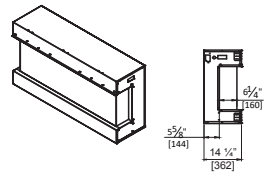
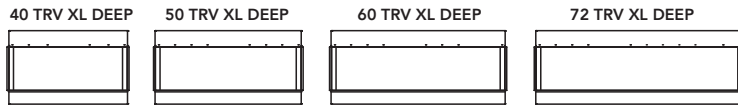


NEW

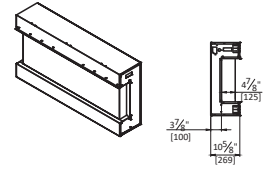
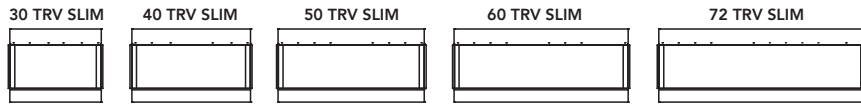


TRD 30, TRD 33, TRD 33 Bespoke, TRV XL 40, TRV XLXT 40, TRV 40 Bespoke, SYM XT 40, SYM Bespoke 40 and Panorama Deep XT 40

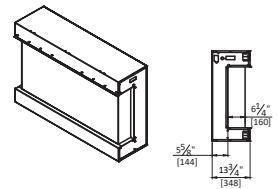
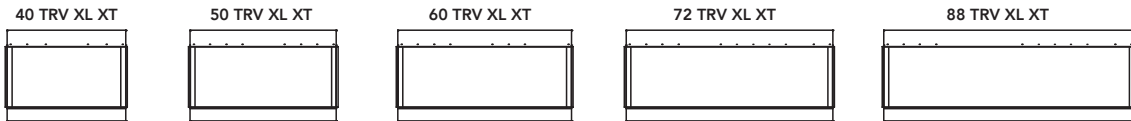
XL DEEP



SLIM



XL EXTRA TALL



EXCLUSIVE FLAME SET



Ambient canopy lighting: Shown On and Off, illuminate media like never before with a spectrum of lighting in 11 different colors.

UNIQUE PRESENTATION



Vibrant multi-colored state-of-the-art flame that is easily changed from orange or yellow to red with just a click of the remote.

FOUR INSTALLATION CONFIGURATIONS

- All 3 sides of glass visible
- Left side visible
- Right visible
- Front only for an extra deep (14 1/4") fireplace



3 sides open



Left side open



Right side open



Both sides closed

FIRE & ICE FLAME KIT FIRE & ICE TRAY KIT

This kit provides the necessary components to enable the FIRE & ICE presentation to be included with the Amantii Smart Fireplace. The Smart models use the latest cutting edge technology and innovation to provide instant heat, realistic flame and adaptive lighting. Fire and Ice Flame and Tray Kits are available for purchase.



Tru-View-US JAN 2023

Distributed By:

Amantii

Visit our online showrooms at:

www.amantii.com

We reserve the right to update products, specifications and dimensions are subject to change. Please refer to the product manual to verify measurements and clearance requirements. All local building codes must be followed.

PANORAMA SERIES

ELECTRIC FIREPLACES
INDOOR • OUTDOOR

Amantii



BI-50-Xtra Slim Electric Fireplace

EXTRA SLIM SMART

INCREDIBLY THIN AT JUST 4"

The Panorama Xtraslim Smart fireplace makes a stunning addition to any space - indoor or outdoor - available in 30", 40", 50" and 60" with a 4" depth, you will find a fireplace that is perfect for any space in your home, business, or commercial space.

KEY FEATURES

- 3 sided built in electric fireplace
- WiFi Compatible to connect and control the fireplace from your smartphone with the use of our app. Available on the Google Play Store and Apple App Store
- Three speed flame motor
- Heat Outdoor 5000 BTU
- No unsightly venting and grills seen. A true clean and vent free look
- Programmable timer & thermostat allows you to decide the temperature of the room. Set your fireplace to turn on before you arrive home or have it automatically turn on when the weather is cold.
- Touch pad for convenient control of the features and temperature display from the fireplace.
- Choose from combinations of yellow, orange and red colored flames
- Approved for indoor or outdoor applications*
- Choose from 11 colors of canopy and ember bed lighting to illuminate decorative media from below and above
- Two flame pattern styles – standard and more traditional
- New patented thermostatic remote comes included

IDEAL APPLICATIONS

- Residential spaces
- Patios
- Outdoor spaces
- Commercial spaces
- Restaurants
- New construction or renovations

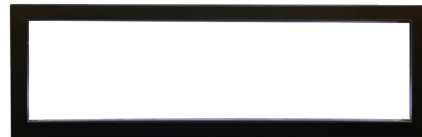
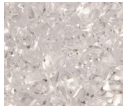
TECHNICAL SPECS

Volts	120
Amps	12.6
Watts	1465 Max
Heater On	1465 W high
	750 W low
Heater Off	25 W
Rotor Motor	1 at 5 W
BTU	5000



INCLUDED ACCESSORIES

The Panorama Extra Slim Smart series come with clear decorative media, plus a remote.



OPTIONAL LOG SET



BI-30-XTRASLIM



Height, Width, Depth	19 7/8 x 29 1/8 x 4
Glass Viewing Opening	11 7/8 x 25 1/4
Surround Size	15 7/8 x 29 1/8
Shipping Size	23 x 35 3/5 x 7 2/7
Shipping Weight	51 lbs Glass Included

BI-40-XTRASLIM



Height, Width, Depth	19 7/8 x 39 1/8 x 4
Glass Viewing Opening	11 7/8 x 35 1/4
Surround Size	15 7/8 x 39 1/8
Shipping Size	23 x 45 3/5 x 7 2/7
Shipping Weight	56 lbs Glass Included

*Manufacturer guidelines regarding outdoor installation must be followed. Please refer to the owner's manual for additional information

BI-50-XTRASLIM

Height, Width, Depth	19 7/8 x 49 1/8 x 4
Glass Viewing Opening	11 7/8 x 45 1/4
Surround Size	15 7/8 x 49 1/8
Shipping Size	23 x 55 3/5 x 7 2/7
Shipping Weight	67 lbs Glass Included



BI-60-XTRASLIM

Height, Width, Depth	19 7/8 x 59 1/8 x 4
Glass Viewing Opening	11 7/8 x 55 1/4
Surround Size	15 7/8 x 59 1/8
Shipping Size	23 x 65 3/5 x 7 2/7
Shipping Weight	77 lbs Glass Included



BI-40-XTRASLIM MANTEL SURROUND



Beautifully Inspired

Our mantel surrounds bring the beauty of genuine birch wood into any space. With four nature inspired colors to choose from, you will find a mantel-surround that is perfect for any space in your home, business or commercial setting. Amantii has designed a mantel-surround for your Bi-40-XTRASLIM fireplace that will compliment every style.

All our mantel-surrounds have been crafted from birch wood with a paint wash application reflective of the variety of colors found in a birch tree forest.

As with all genuine products, variations to the natural wood grain will mean there could be slight variations that may differ from the catalog images or samples.

Variations will occur in color, character, tone and grain from product to product. Slight variations between samples and finished goods should be anticipated. In addition, a touch up pen has been included in the packaging should there be any imperfections caused by the shipping of this product.

The BI-40-XTRASLIM mantel-surrounds have been approved for use in kitchens and bathrooms. The mantel-surrounds cannot be used in outdoor settings.

White Birch • Grey Bark • Natural Birch • Knotty Black



SLIM SMART

The Panorama Slim Smart series of built in electric fires have been designed to give you the maximum in flexibility in selecting a unit that perfectly suits your needs.

This stylish fireplace will be a focal point in any room, indoor or outdoor. At just 6 3/4" in depth the Panorama Slim Smart is a practical choice for new construction projects and renovations alike.

The Slim Smart series can be installed with your choice of finishing material right up to the glass for edge to edge viewing, or you can use the black trim that is provided. Additional media options available for purchase.

KEY FEATURES

- WiFi Compatible to connect and control the fireplace from your smartphone with the use of our app. Available on the Google Play Store and Apple App Store
- Three speed flame motor
- 6 3/4" depth. Heat Outdoor 5000 BTU
- No unsightly venting and grills seen. A true clean and vent free look
- Programmable timer & thermostat allows you to decide the temperature of the room. Set your fireplace to turn on before you arrive home or have it automatically turn on when the weather is cold.
- Touch pad for convenient control of the features and temperature display from the fireplace.
- Choose from combinations of yellow, orange and red colored flames
- Approved for indoor or outdoor applications.*
- Choose from 11 colors of canopy and ember bed lighting to illuminate decorative media from below and above
- Two flame pattern styles – standard and more traditional
- New patented thermostatic remote comes included

IDEAL APPLICATIONS

- Residential spaces
- Patios
- Outdoor spaces
- Commercial spaces
- Restaurants
- New construction or renovations

TECHNICAL SPECS

Volts	120
Amps	12.5
Watts	1465 max
Heater On	1465 W high 750 W low
Heater Off	25 W
Rotor Motor	1 at 5 W
BTU	5000



BI-40-SLIM-OD



BI-50-SLIM-OD



Height, Width, Depth	23 5/8 x 38 5/8 x 6 3/4
Glass Viewing Opening	12 x 34 1/4
Surround Size	15 3/4 x 38 5/8
Shipping Size	44 7/8 x 9 x 25 1/3
Shipping Weight	72 lbs Glass Included

Height, Width, Depth	23 5/8 x 49 5/8 x 6 3/4
Glass Viewing Opening	11 5/8 x 45 1/4
Surround Size	15 5/8 x 48 5/8
Shipping Size	25 1/3 x 55 x 9
Shipping Weight	92 lbs Glass Included

*Manufacturer guidelines regarding outdoor installation must be followed. Please refer to the owner's manual for additional information

BI-72-SLIM-OD

Height, Width, Depth 23 5/8 x 72 1/8 x 6 3/4
Glass Viewing Opening 11 7/8 x 68 3/4
Surround Size 15 5/8 x 72 1/8
Shipping Size 25 1/3 x 82 1/3 x 9
Shipping Weight 137 lbs Glass Included



BI-60-SLIM-OD

Height, Width, Depth 23 5/8 x 58 5/8 x 6 3/4
Glass Viewing Opening 11 7/8 x 55 1/4
Surround Size 15 5/8 x 59 5/8
Shipping Size 25 1/3 x 64 5/7 x 9
Shipping Weight 107 lbs Glass Included

BI-88-SLIM-OD



Height, Width, Depth 23 5/8 x 88 5/8 x 6 3/4
Glass Viewing Opening 11 5/8 x 84 3/4
Surround Size 15 5/8 x 88 1/8
Shipping Size 25 1/3 x 98 2/5 x 9
Shipping Weight 160 lbs Glass Included

INCLUDED ACCESSORIES

The Panorama Slim series come with clear decorative media and our ICE media kit including large glass chunks, clear and blue diamond media and optional black steel surround, plus a remote.



DEEP SMART

The stunning Panorama BI-Deep Smart series will add a touch of elegance and sophistication to any room. This innovative fire is skillfully engineered to allow a truly trimless fire.

Meticulous attention has been paid to the realization of the ember bed and flame pattern to ensure a perfect recreation of a natural fire.

The Deep Smart series gives you a 12" depth and multiple length options, as well as giving you the ability to install your fireplace with your choice of finishing material built right up to the glass for edge to edge viewing or the using the provided black metal trim. Your choice - your design!

KEY FEATURES

- WiFi Compatible to connect and control the fireplace from your smartphone with the use of our app. Available on the Google Play Store and Apple App Store
- Three speed flame motor
- 12" depth. Heat Outdoor 5000 BTU
- No unsightly venting and grills seen. A true clean and vent free look
- Programmable timer & thermostat allows you to decide the temperature of the room. Set your fireplace to turn on before you arrive home or have it automatically turn on when the weather is cold.
- Touch pad for convenient control of the features and temperature display from the fireplace.
- Choose from combinations of yellow, orange and red colored flames
- Approved for indoor or outdoor applications.*
- Choose from 11 colors of canopy and ember bed lighting to illuminate decorative media from below and above
- Two flame pattern styles – standard and more traditional
- New patented thermostatic remote comes included

IDEAL APPLICATIONS

- Residential spaces
- Patios
- Outdoor spaces
- Commercial spaces
- Restaurants
- New construction or renovations

TECHNICAL SPECS

Volts	120
Amps	12.5
Watts	1465 max
Heater On	1465 W high 750 W low
Heater Off	25 W
Rotor Motor	2 at 5 W
BTU	5000



BI-40-DEEP-OD



BI-50-DEEP-OD



Height, Width, Depth	23 5/8 x 38 5/8 x 12
Glass Viewing Opening	12 x 34 1/4
Surround Size	15 3/4 x 38 5/8
Shipping Size	44 7/8 x 14 1/6 x 25 1/3
Shipping Weight	93 lbs Glass Included

Height, Width, Depth	23 5/8 x 48 1/2 x 12
Glass Viewing Opening	12 x 45 1/4
Surround Size	15 3/4 x 49 1/4
Shipping Size	55 x 14 1/6 x 25 1/3
Shipping Weight	111 lbs Glass Included

*Manufacturer guidelines regarding outdoor installation must be followed. Please refer to the owner's manual for additional information



BI-72-DEEP-OD

Height, Width, Depth 23 5/8 x 72 1/8 x 12
 Glass Viewing Opening 11 7/8 x 68 3/4
 Surround Size 15 5/8 x 72 1/8
 Shipping Size 25 1/3 x 82 1/3 x 14 1/6
 Shipping Weight 157 lbs Glass Included



BI-88-DEEP-OD

Height, Width, Depth 23 5/8 x 88 1/8 x 12
 Glass Viewing Opening 12 x 84 3/4
 Surround Size 15 3/4 x 88 1/8
 Shipping Size 98 2/5 x 14 1/6 x 25 1/3
 Shipping Weight 197 lbs Glass Included

BI-60-DEEP-OD



Height, Width, Depth 23 5/8 x 58 5/8 x 12
 Glass Viewing Opening 12 x 55 1/4
 Surround Size 15 3/4 x 59 1/8
 Shipping Size 64 5/7 x 14 1/6 x 25 1/3
 Shipping Weight 128 lbs Glass Included

INCLUDED ACCESSORIES

The Panorama DEEP series come with a 10 piece Oak log set and optional black steel surround, plus a remote.



EXTRA TALL SMART

WE ARE REACHING NEW HEIGHTS

Featuring an extra viewing area of 18 inches, the Panorama Extra Tall Smart units make a impact in there own right.

The Panorama Extra Tall Smart has a deep media tray and comes with your choice of an incredible media kit that including logs, glass nuggets, pebbles, stones, vermiculite and embers, allowing consumers to completely customize the look of their fireplace.

With just a click of the included remote control, choose from red, yellow or orange flames. Additional features include WiFi connectivity, 3 speed motor, 7 day programmable thermostat, and a energy efficient heater warms up to 400 square feet of space.

KEY FEATURES

- WiFi Compatible to connect and control the fireplace from your smartphone with the use of our app. Available on the Google Play Store and Apple App Store
- Three speed flame motor
- 12" depth. Heat Outdoor 5000 BTU
- No unsightly venting and grills seen. A true clean and vent free look
- Programmable timer & thermostat allows you to decide the temperature of the room. Set your fireplace to turn on before you arrive home or have it automatically turn on when the weather is cold.
- Touch pad for convenient control of the features and temperature display from the fireplace.
- Choose from combinations of yellow, orange and red colored flames
- Approved for indoor or outdoor applications.*
- Choose from 11 colors of canopy and ember bed lighting to illuminate decorative media from below and above
- Two flame pattern styles – standard and more traditional
- New patented thermostatic remote comes included

IDEAL APPLICATIONS

- Residential spaces
- Patios
- Outdoor spaces
- Commercial spaces
- Restaurants
- New construction or renovations

TECHNICAL SPECS

Volts	120
Amps	12.5
Watts	1465 max
Heater On	1465 W high 750 W low
Heater Off	25 W
Rotor Motor	2 at 5 W
BTU	5000



Wi-Fi

BI-40-DEEP-XT



Height, Width, Depth	29 1/2 x 38 5/8 x 12 5/8
Glass Viewing Opening	17 3/4 x 34 1/4
Surround Size	21 3/4 x 39 1/8
Shipping Size	47 3/5 x 14 1/2 x 31 1/9
Shipping Weight	117 lbs Glass Included

BI-50-DEEP-XT



Height, Width, Depth	29 1/2 x 48 5/8 x 12 5/8
Glass Viewing Opening	17 3/4 x 45 1/4
Surround Size	21 3/4 x 49 1/8
Shipping Size	57 3/5 x 14 1/2 x 31 1/9
Shipping Weight	146 lbs Glass Included

*Manufacturer guidelines regarding outdoor installation must be followed. Please refer to the owner's manual for additional information



BI-72-DEEP-XT

Height, Width, Depth 29 1/2 x 72 1/8 x 12 5/8
 Glass Viewing Opening 17 3/4 x 68 3/4
 Surround Size 21 3/4 x 72 5/8
 Shipping Size 67 3/5 x 14 1/2 x 31 1/9
 Shipping Weight 202 lbs Glass Included



BI-88-DEEP-XT

Height, Width, Depth 29 1/2 x 88 5/8 x 12 5/8
 Glass Viewing Opening 17 3/4 x 84 3/4
 Surround Size 21 3/4 x 88 5/8
 Shipping Size 97 1/8 x 14 1/2 x 31 1/9
 Shipping Weight 242.5 lbs Glass Included

BI-60-DEEP-XT



Height, Width, Depth 29 1/2 x 58 5/8 x 12 5/8
 Glass Viewing Opening 17 3/4 x 55 1/4
 Surround Size 21 3/4 x 59 1/8
 Shipping Size 67 3/5 x 14 1/2 x 31 1/9
 Shipping Weight 164 lbs Glass Included

INCLUDED ACCESSORIES

The Panorama Extra Tall Smart series comes with your choice of one Design Media Kit, the ICE media set, plus a remote.

YOUR CHOICE:

DESIGN-MEDIA-DRIFT-15PCE

Now includes an additional 4 mini logs (Not Shown)



DESIGN-MEDIA-RUSTIC-14PCE



DESIGN-MEDIA-BIRCH-15PCE



ICE MEDIA



FI-109-Diamond



DESIGN-MEDIA-SPLIT-LOG-16PCE

NEW



DESIGN-MEDIA-OAK-18PCE

NEW

OPTIONAL



PANORAMA SERIES | ELECTRIC FIREPLACES

FIRE GLASS

Our decorative fire glass media is a beautiful addition to your fireplace. Turn your fireplace into a expressive work of art by simply adding our decorative fire glass media. Our fire glass adds a distinctly modern feel to your gas fireplace - mix colors and textures for a unique appearance.

Our decorative fire glass is tempered and will not melt or degrade, some discoloration is normal on glass that is placed directly on the flame. Always wear protective gloves when handling fire glass media.

One 5lb container of media will cover 1 square foot.



Images are not to scale, please visit your local dealer to view the actual accessories.

Variations in the color and shade are inherent in all printing processes, the actual colors may vary slightly from those shown.

Note: Log sets and Designer Media Kits will fit in all sizes of the following models - Panorama DEEP, TRU VIEW XL and CUBE ONLY.
(Depending on the size of the fireplace model, some logs may not be needed.)

DESIGNER MEDIA KITS

Add incredible value with designer media kits including deluxe log sets, glass and stone media and decorative embers.

DESIGN-MEDIA-BIRCH-10PCE



DESIGN-MEDIA-OAK-10PCE



DESIGN-MEDIA-NATURAL-8PCE



DESIGN-MEDIA-14PCE



14-piece log



DESIGN-MEDIA-BIRCH-15PCE



15-piece Birch log



DESIGN-MEDIA-15PCE



15-piece Drift log



DESIGN-MEDIA-6PCE



6-piece log



DESIGN-MEDIA-SPLIT-LOG-16PCE



16-piece log



NEW

DESIGN-MEDIA-BIRCH-12PCE



NEW

For XT & XT Bespoke models only
The NEW Design Media Birch 12 piece log set expands the Design Media Birch 15 piece log set, if required, and is available for purchase.

DESIGN-MEDIA-OAK-18PCE



Dec. 2022

TRD 30, TRD 33,
TRD 33 Bespoke,
TRV XL 40,
TRV XLXT 40,
TRV 40 Bespoke,
SYM XT 40,
SYM Bespoke 40 and
Panorama Deep XT 40



Jan 2023

Distributed By:

Product updates, specifications and dimensions are subject to change. Please refer to the product manual to verify measurements and clearance requirements. All local building codes must be followed.

Amantii

Visit our online showrooms at:

www.amantii.com

877-850-9458

SYMMETRY SERIES

ELECTRIC FIREPLACES

Amantii




SYM-50 XT shown with Glass Chunks

SYMMETRY BESPOKE SMART

SYMMETRY BESPOKE SMART IS THE WAY OF THE FUTURE!

Among the things that make our lives beautiful, fireplaces occupy an important position. Our Symmetry Bespoke Smart is more than just an ordinary fireplace, it is a well designed fireplace, unique as it combines classic form with a modern interpretation. With many customizations, all available on the app or remote, flame speed, flame colors, ember bed colors, brightness. Set up the temperature you want the room to be and the heat will turn off once the temperature has been reached. Symmetry Bespoke transforms your space into one of comfort and luxury!

KEY FEATURES

- 5 Year Warranty
- Fire & Sound – Two (2) quality audio speakers deliver a fire crackling sound. The audio is an ON/OFF feature that can be controlled through the WiFi app
- WiFi compatible to connect and control the fireplace from your smartphone with the use of our app. Available on the Google Play Store and the Apple App Store
- Bluetooth Connectivity – Featuring a fireplace with high quality audio from Bluetooth speakers. Simply pair your phone with the fireplace and press play on your smartphone 
- Programmable timer & thermostat allows you to decide the temperature of the room. Set the fireplace to turn on before you arrive home or have it automatically turn on when the weather is cold.
- Smart Room Temperature Control
 - 59°F - 82°F or 15°C - 28°
- 1465W – 5000 BTU, heats up to 500 Sq. Ft.
- 50000 hours lifetime LED light source
- Approved for Outdoor Installations*
- Designed with front flow heating and hidden venting so that the unit can be recessed or semi flush mounted
- A clear reduced trim kit allows for a large viewing area with true lifelike flames that cannot be rived
- Adjustable flame brightness and speed that can be turned on separately.
- Adjustable ember bed colors that allow for the possibility of auto mixing thousand of colors
- Most quiet and reliable components in the industry
- Patented thermostatic remote comes included
- Masonary finish to trim option

- Residential spaces
- Commercial spaces
- Restaurants
- New construction or renovations
- Outdoor use; refer to installation manual

TECHNICAL SPECS

Volts	120
Amps	12.5 A
Watts	1465 max
Heater On	1465 watts high, 732 watts low
Heater Off	21 Watts - SYM 50 Bespoke 31 Watts - SYM 60 Bespoke 36 Watts - SYM 74 Bespoke
Rotor Motor	1 at 2.9 Watts
BTU	5000 Max

Hidden venting and no grills. The heater is located at the top of the unit allowing heat to cascade down in front of the glass.



INCLUDED ACCESSORIES

See pages 14 and 15 for flame colors and other details.



AND CHOICE OF ONE MEDIA KIT:

DESIGN-MEDIA-BIRCH-10PCE

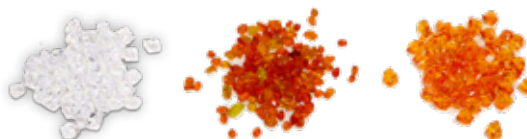


ICE MEDIA



EMBER

Clear, Suntea, Harvest Moon



*Manufacturer guidelines regarding outdoor installation must be followed. Please refer to the owner's manual for additional information

SYM-50-BESPOKE

Height, Width, Depth: 15-5/8 x 50-1/4 x 5-1/2
Glass Viewing Opening: 13-1/8 x 48-1/2
Surround Size: 16-7/8 x 52-1/4
Shipping Weight: 82.50 lbs Glass Included
Media Shown: Drift Log Set



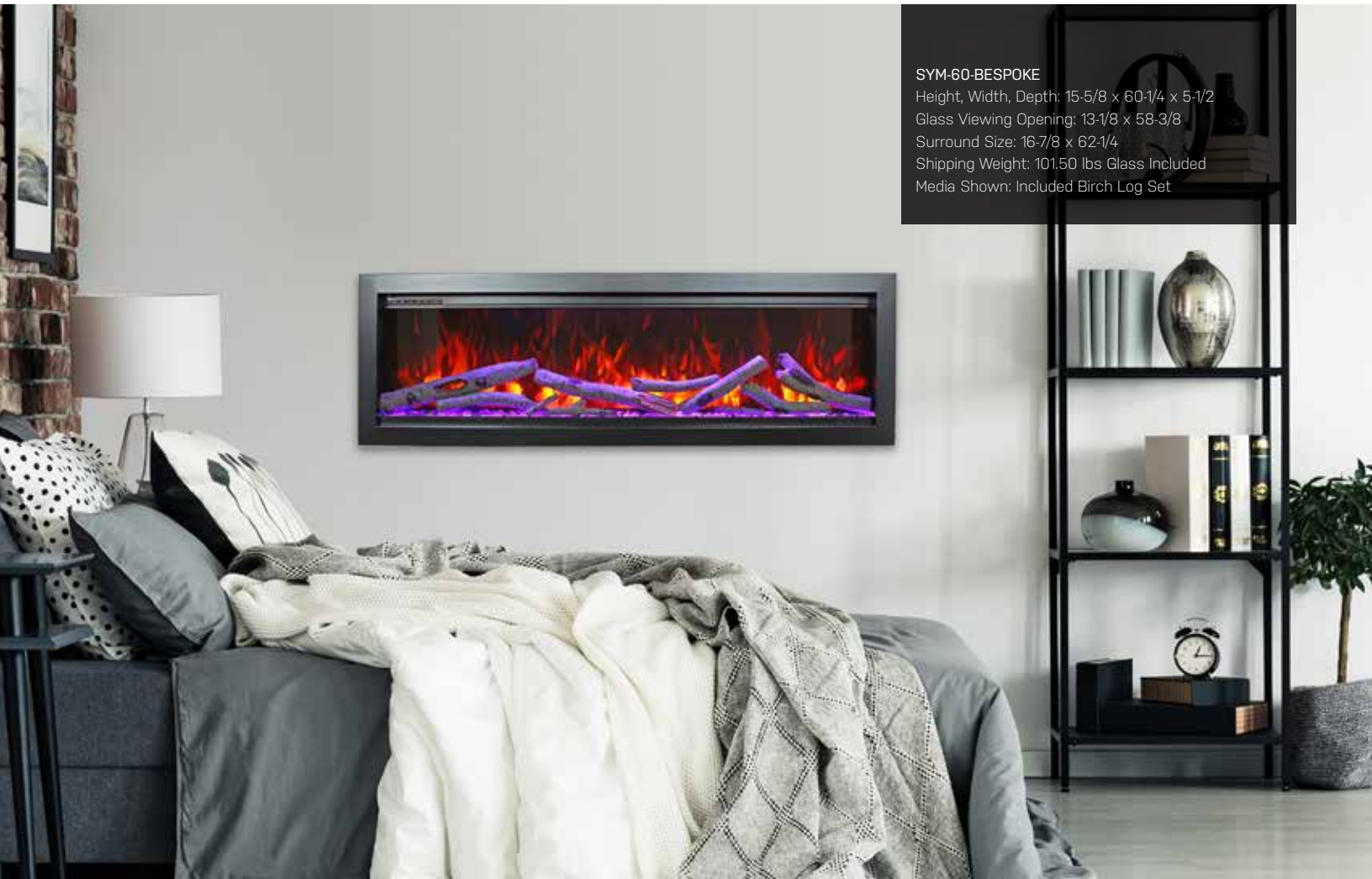
SYM-74-BESPOKE

Height, Width, Depth: 15 5/8 x 74-1/4 x 5-1/2
Glass Viewing Opening: 13-1/8 x 72-3/8
Surround Size: 16-7/8 x 76-1/4
Shipping Weight: 115.50 lbs Glass Included
Media Shown: Ember



SYM-60-BESPOKE

Height, Width, Depth: 15-5/8 x 60-1/4 x 5-1/2
Glass Viewing Opening: 13-1/8 x 58-3/8
Surround Size: 16-7/8 x 62-1/4
Shipping Weight: 101.50 lbs Glass Included
Media Shown: Included Birch Log Set



SYMMETRY SMART

Symmetry Smart is among the most versatile fireplaces that we offer. This series comes in six sizes to choose from and only requires electrical power. Our WiFi enabled Symmetry Smart fireplace provides more control options, with vivid flames in three colors, a three speed motor and a new remote control. It's slim design allows for applications inside or outside, including semi flush mounted within a 2 x 4 wall and standardized sizing allows for hassle free installation at any stage of your project. Birch logs and crystal gems already come included, further enhancing the beautiful flame presentation. Symmetry Smart provides stylish and efficient heating for any room up to 500 square feet.

KEY FEATURES

- Can be fully recessed or Semi Flush Mounted within a 2 x 4 wall.
- SYM-XS surround required for semi flush mount applications
- WiFi compatible to connect and control the fireplace from your smartphone with the use of our app. Available on the Google Play Store and the Apple App Store
- Three flame speed motor
- Choose from combinations of yellow, orange, and red colored flames
- Two flame pattern styles – standard and more traditional
- Flame operates with or without heat
- Choose from 11 colors of canopy and ember bed lighting to illuminate decorative media from below and above
- Touch pad for convenient control of features and temperature display on the fireplace
- Programmable timer & thermostat allows you to decide the temperature of the room. Set your fireplace to turn on before you arrive home or have it automatically turn on when the weather is cold
- Patented thermostatic remote comes included

IDEAL APPLICATIONS

- Residential spaces
- Commercial spaces
- Restaurants
- New construction or renovations
- Outdoor use; refer to installation manual

TECHNICAL SPECS

Volts	120
Amps	13
Watts	1465 max
Heater On	1465 watts high, 732 watts low
Heater Off	60 watts Max
Rotor Motor	1 at 2.9 watts
BTU	5000 Max

Hidden venting and no grills. The heater is located at the top of the unit allowing heat to cascade down in front of the glass.

INCLUDED ACCESSORIES

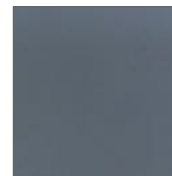


DESIGN-MEDIA-BIRCH-10PCE

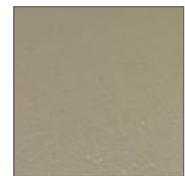


OPTIONAL SURROUNDS

For Symmetry Smart fireplaces in 50", 60" & 74" models only. See page 13 for more details.



Dark Grey



Bronze



SYM 50-SMART

Height, Width, Depth: 15-5/8 x 50-1/4 x 5-1/2
 Glass Viewing Opening: 13-1/8 x 48-1/2
 Surround Size: 16-7/8 x 52-1/4
 Shipping Weight: 81.50 lbs Glass Included
 Media Shown: Included Birch Log Kit



SYM 60-SMART

Height, Width, Depth: 15-5/8 x 60-1/4 x 5-1/2
 Glass Viewing Opening: 13-1/8 x 58-3/8
 Surround Size: 16-7/8 x 62-1/4
 Shipping Weight: 95 lbs Glass Included
 Media Shown: Included Birch Log Kit



SYM 88-SMART

Height, Width, Depth: 15-5/8 x 88-1/4 x 5-1/2
 Glass Viewing Opening: 13-1/8 x 86-3/8
 Surround Size: 16-7/8 x 90-1/4
 Shipping Weight: 139 lbs Glass Included
 Media Shown: Included Birch Log Kit



SYM 34-SMART

Height, Width, Depth: 15-5/8 x 32-3/8 x 5-1/2
 Glass Viewing Opening: 13-1/8 x 30-5/8
 Surround Size: 16-7/8 x 34-1/2
 Shipping Weight: 57 lbs Glass Included
 Media Shown: Clear Glass



SYM 42-SMART

Height, Width, Depth: 15-5/8 x 42-1/4 x 5-1/2
 Glass Viewing Opening: 13-1/8 x 40-5/8
 Surround Size: 16-7/8 x 44-1/4
 Shipping Weight: 70.50 lbs Glass Included
 Media Shown: Included Birch Log Kit



SYM 74-SMART

Height, Width, Depth: 15-5/8 x 74-1/4 x 5-1/2
 Glass Viewing Opening: 13-1/8 x 72-3/8
 Surround Size: 16-7/8 x 76-1/4
 Shipping Weight: 115 lbs Glass Included
 Media Shown: Clear Glass



SYM 100-SMART


Height, Width, Depth: 15-5/8 x 100-1/4 x 5-1/2
 Glass Viewing Opening: 13-1/8 x 98-3/8
 Surround Size: 16-7/8 x 102-1/4
 Shipping Weight: 157 lbs Glass Included
 Media Shown: Clear Glass

SYMMETRY XT BESPOKE SMART

The Symmetry Xtra Tall Bespoke Smart is grandly proportioned to fit in great rooms and commercial settings. It's the size and height of this electric fireplace that started it all, revolutionizing the electric fireplace industry. Delivering tall, full flames, it commands presence in any room and can be customized to your taste – from contemporary to traditional, the media log set selection is yours.

Unencumbered by unsightly venting, the Symmetry Xtra Tall Bespoke Smart features a truly clean face display. Standard unit sizing means hassle free installation at any stage, inside or outside. Symmetry Xtra Tall Bespoke Smart is the perfect blend of versatility, style and function.

KEY FEATURES

- 5 Year Warranty
- Fire & Sound – Two (2) quality audio speakers deliver a fire crackling sound. The audio is an ON/OFF feature that can be controlled through the WiFi app.
- WiFi compatible to connect and control the fireplace from your smartphone with the use of our app. Available on the Google play store and the Apple App Store.
- Bluetooth Connectivity – Featuring a fireplace with high quality audio from Bluetooth speakers. Simply pair your phone with the fireplace and press play on your smartphone. 
- Programmable timer & thermostat allows you to decide the temperature of the room. Set the fireplace to turn on before you arrive home or have it automatically turn on when the weather is cold.
- Smart Room Temperature Control - 59°F - 82°F or 15°C - 28°C
- 1465W 5000 BTU, heats up to 500 Sq. Ft. May also be wired to 240 volts to increase the BTU output to 10,230, heats up to 900 Sq. Ft.
- 50000 hours lifetime LED light source
- Approved for Outdoor Installations*
- Designed with front flow heating and hidden venting so that the unit can be recessed or semi flush mounted.
- A clear reduced trim kit allows for a large viewing area with true lifelike flames that can not be rivaled.
- Adjustable flame brightness and speed that can be turned on separately.
- Adjustable ember bed colors that allow for the possibility of auto mixing thousands of colors
- Most quiet and reliable components in the industry
- Patented thermostatic remote comes included
- Masonary finish to trim option

**Manufacturer guidelines regarding outdoor installation must be followed. Please refer to the owner's manual for additional information*

IDEAL APPLICATIONS

- Residential spaces
- Commercial spaces
- Restaurants
- New construction or renovations
- Outdoor use; refer to installation manual

TECHNICAL SPECS

Volts	120V OR 240V
Amps	12.5
Watts	1465 or 3000W max
Heater On	1465 Watts high, 732 Watts low
Heater Off	42.7 Watts – SYM 50 XT Bespoke 45.2 Watts – SYM 60 XT Bespoke 60.4 Watts – SYM 74 XT Bespoke
Rotor Motor	1 at 2.9 Watts
BTU	5000 BTU on 120 Volts 10,230 BTU on 240 Volts

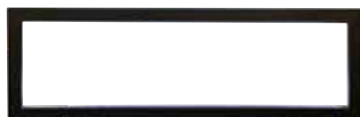
Heats up to 500 Sq Feet on 120 Volts
Heats up to 800 Sq Feet on 220 Volts

Hidden venting and no grills. The heater is located at the top of the unit allowing heat to cascade down in front of the glass.



INCLUDED ACCESSORIES

Models come with a choice of a Design Media kit - Driftwood, Birch or Rustic or ICE media kit



ADDITIONAL LOG SET

The NEW Design Media Birch 12 piece log set expands the Design Media Birch 15 piece log set, if required, and is available for purchase.

DESIGN-MEDIA-BIRCH-12PCE



NEW

YOUR CHOICE:

DESIGN-MEDIA-DRIFT-15PCE

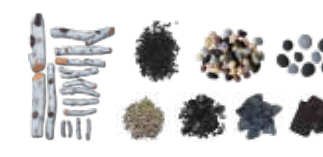
Now includes an additional 4 mini logs (Not Shown)



DESIGN-MEDIA-RUSTIC-14PCE



DESIGN-MEDIA-BIRCH-15PCE



DESIGN-MEDIA-SPLIT-LOG-16PCE



NEW

ICE MEDIA

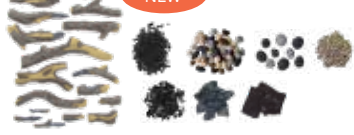
FI-109-Diamond



DESIGN-MEDIA-OAK-18PCE

NEW

OPTIONAL



SYM-60 XT Bespoke

Height, Width, Depth: 20-1/8 x 60-1/4 x 11-3/4

Glass Viewing Opening: 17-5/8 x 58-3/8

Surround Size: 21-3/8 x 62-1/4

Shipping Weight: 129.50 lbs Glass Included

Media Shown: Birch Log Kit



SYM-50 XT Bespoke

Height, Width, Depth: 20-1/8 x 50-1/4 x 11-3/4

Glass Viewing Opening: 17-5/8 x 48-3/8

Surround Size: 21-3/8 x 52-1/4

Shipping Weight: 110 lbs Glass Included

Media Shown: Rustic Log Kit



SYM-74 XT Bespoke

Height, Width, Depth: 20-1/8 x 74-1/4 x 11-3/4

Glass Viewing Opening: 17-5/8 x 72-3/8

Surround Size: 21-3/8 x 76-1/4

Shipping Weight: 159 lbs Glass Included

Media Shown: Glass Rock



SYMMETRY SMART XT

There is more fire viewing area than ever before with Symmetry Smart XT, it boasts the tallest height yet. With edge to edge viewing and no unsightly heat vents this series provides an artistic element above and beyond the basic functions of fire display and heat. The result is clean, contemporary and innovative. Also featuring WiFi functionality that offers modern capabilities for a modern fireplace. Presented in red, yellow and orange flames, the presentation does not disappoint. Symmetry XT-Smart 74", 88 and 100" all have the option of being hooked up to 240 volts, which increases the heat to 240V, 3000 watts and 10,230 volts

KEY FEATURES

- Glass viewing area is 18" tall with no unsightly venting visible
- Two flame style patterns - standard and more traditional - you choose!
- Choose from combinations of yellow, orange and red colored flames.
- Flame operates with or without heat, perfect for zone heating
- Choose from 11 colors of ambient canopy light to illuminate decorative media from above
- Touch pad for convenient control of features with temperature display.
- WiFi compatible to connect and control the fireplace from your smartphone with the use of our app. Available on the Google Play Store and the Apple App Store
- Approved for Outdoor Installations*
- Most quiet and reliable components in the industry
- Patented thermostatic remote comes included
- Three flame speed motor
- Programmable timer & thermostat allows you to decide the temperature of the room. Set your fireplace to turn on before you arrive home or have it automatically turn on when the weather is cold



IDEAL APPLICATIONS

- Residential spaces
- Commercial spaces
- Restaurants
- New construction or renovations
- Outdoor use; refer to installation manual

TECHNICAL SPECS

Volts	120
Amps	13
Watts	1465 max
Heater On	1465 watts high, 732 watts low
Heater Off	60 watts Max
Rotor Motor	1 at 2.9 watts
BTU	5000 Max

Hidden venting and no grills.
The heater is located at the top of the unit allowing heat to cascade down in front of the glass.

INCLUDED ACCESSORIES

See pages 16 and 17 for more details.



YOUR CHOICE:

DESIGN-MEDIA-DRIFT-15PCE

Now includes an additional 4 mini logs (Not Shown)



DESIGN-MEDIA-RUSTIC-14PCE



ICE MEDIA



FI-109-Diamond

DESIGN-MEDIA-BIRCH-15PCE



DESIGN-MEDIA-SPLIT-LOG-16PCE



NEW

DESIGN-MEDIA-OAK-18PCE



NEW

OPTIONAL

ADDITIONAL LOG SET

The NEW Design Media Birch 12 piece log set expands the Design Media Birch 15 piece log set, if required, and is available for purchase.

DESIGN-MEDIA-BIRCH-12PCE



NEW



SYM 50 XT-SMART

Height, Width, Depth: 20-1/8 x 50-1/4 x 11-3/4

Glass Viewing Opening: 17-5/8 x 48-3/8

Surround Size: 21-3/8 x 52-1/4

Shipping Weight: 110 lbs Glass Included

Media Shown: Rustic Log Kit

8



SYM 60 XT-SMART

Height, Width, Depth: 20-1/8 x 60-1/4 x 11-3/4

Glass Viewing Opening: 17-5/8 x 58-3/8

Surround Size: 21-3/8 x 62-1/4

Shipping Weight: 129.50 lbs Glass Included

Media Shown: Birch Log Kit

**Manufacturer guidelines regarding outdoor installation must be followed. Please refer to the owner's manual for additional information*



SYM 74 XT-SMART

Height, Width, Depth: 20-1/8 x 74-1/4 x 11-3/4
 Glass Viewing Opening: 17-5/8 x 72-3/8
 Surround Size: 21-3/8 x 76-1/4
 Shipping Weight: 159 lbs Glass Included
 Media Shown: Drift Wood Kit



SYM 34 XT-SMART

Height, Width, Depth: 20-1/8 x 32-3/8 x 11-3/4
 Glass Viewing Opening: 17-5/8 x 30-5/8
 Surround Size: 21-3/8 x 34-1/2
 Shipping Weight: 77 lbs Glass Included
 Media Shown: ICE Media



SYM 42 XT-SMART

Height, Width, Depth: 20-1/8 x 42-1/4 x 11-3/4
 Glass Viewing Opening: 17-5/8 x 40-3/8
 Surround Size: 21-3/8 x 44-1/4
 Shipping Weight: 95 lbs Glass Included
 Media Shown: Drift Wood Kit



SYM 88 XT-SMART

Height, Width, Depth: 20-1/8 x 88-1/4 x 11-3/4
 Glass Viewing Opening: 17-5/8 x 86-3/8
 Surround Size: 21-3/8 x 90-1/4
 Shipping Weight: 185.50 lbs Glass Included
 Media Shown: Rustic Log Kit



SYM 100 XT-SMART

Height, Width, Depth: 20-1/8 x 100-1/4 x 11-3/4
 Glass Viewing Opening: 17-5/8 x 98-3/8
 Surround Size: 21-3/8 x 102-1/4
 Shipping Weight: 207.50 lbs Glass Included
 Media Shown: ICE Media

SYMMETRY XTRASLIM SMART

The Symmetry Xtra Slim Smart electric fireplace offers the perfect blend of style and functionality to any room it's placed in. Defined by its slender depth proportions and streamlined integration into any contemporary domain, the Symmetry Xtra Slim Smart is a both a familiar emblem of welcome and conversation.

A elegant flame display dances across the back of the fireplace, creating movement that is sure to catch your eye. The heat settings can be adjusted with a simple push of a button. During the warmer months, you can set the flames to display without heat – making it perfect to use all year long.

KEY FEATURES

- 5 Year Warranty
- Fire & Sound – Two (2) quality audio speakers deliver a fire crackling sound. The audio is an ON/OFF feature that can be controlled through the WiFi app
- WiFi compatible to connect and control the fireplace from your smartphone with the use of our app. Available on the Google Play Store and the Apple App Store
- Bluetooth Connectivity – Featuring a fireplace with high quality audio from Bluetooth speakers. Simply pair your phone with the fireplace and press play on your smartphone 📶
- Programmable timer & thermostat allows you to decide the temperature of the room. Set the fireplace to turn on before you arrive home or have it automatically turn on when the weather is cold.
- Smart Room Temperature Control - 59°F - 82°F or 15°C - 28°
- 1465W – 5000 BTU, heats up to 500 Sq. Ft.
- 50000 hours lifetime LED light source
- Approved for Outdoor Installations*
- Designed with front flow heating and hidden venting so that the unit can be recessed or semi flush mounted
- A clear reduced trim kit allows for a large viewing area with true lifelike flames that can not be rivaled
- Adjustable flame brightness and speed that can be turned on separately.
- Adjustable ember bed colors that allow for the possibility of auto mixing thousand of colors
- Most quiet and reliable components in the industry
- Patented thermostatic remote comes included
- Masonary finish to trim option

IDEAL APPLICATIONS

- Apartments
- Condos
- Townhouses
- Older homes

TECHNICAL SPECS

Volts	120
Amps	12.5 A
Watts	1465 max
Heater On	1465 watts high, 732 watts low
Heater Off	33 watts Max
Rotor Motor	1 at 2.9 watts
BTU	5000 Max

INCLUDED ACCESSORIES



OPTIONAL LOG SET

8-PC NATURAL WOOD LOG SET



**Manufacturer guidelines regarding outdoor installation must be followed. Please refer to the owner's manual for additional information*



SYM-SLIM 50

Height, Width, Depth: 15 3/8 x 50 1/4 x 4 1/8
 Glass Viewing Opening: 10 3/4 x 48 1/8
 Surround Size: 16 1/2 x 52 1/8
 Shipping Weight : 71.50 lbs
 Media Shown: Ember Glass AMSF 11 (optional)



SYM-SLIM 42

Height, Width, Depth: 15 3/8 x 42 1/4 x 4 1/8
 Glass Viewing Opening: 10 3/4 x 40 1/8
 Surround Size: 16 1/2' x 44 1/8"
 Shipping Weight : 63.50 lbs Including Glass
 Media Shown: Natural Wood Log Set (optional)



SYM-SLIM 60

Height, Width, Depth: 15 3/8" x 60 1/4 x 4 1/8
 Glass Viewing Opening: 10 3/4 x 58 1/8
 Surround Size: 16 1/2 x 62 1/8
 Shipping Weight: 84 lbs
 Media Shown: Clear Glass

SYMMETRY FEATURES

TWO FLAME STYLE PATTERNS

The SYMMETRY fireplace arrives from the factory with a NEW realistic style flame pattern. Enjoy our flame presentation in a new style that mimics real fire like never before. If you prefer Amantii's traditional diffused flame appearance, simply remove the included stencil.



Birch Logs *with* real flame stencil
Yellow flame with a little Orange
Ambient Canopy Lighting: On



Birch Logs *without* real flame stencil
Yellow flame with a little Orange
Ambient Canopy Lighting: On



Ember Rocks *with* Flame Mold
Yellow flame
Ambient Canopy Lighting: On



Ember Media *without* real flame stencil
Orange flame
Ambient Canopy Lighting: On

AMBIENT CANOPY LIGHTING

Add more dimension and excitement to your SYMMETRY electric fireplace by illuminating Amantii's decorative media kits (or your own) from above. The ambient canopy lighting is located in the upper part of the fireplace and with the click of a button, choose from 11 colors of light.



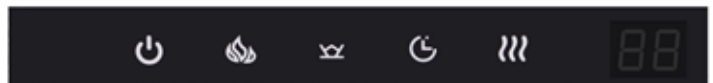
Lighting On



Lighting Off

TOUCH PAD

Convenient touch pad with temperature indicator display.



HASSLE FREE INSTALLATION

The SYMMETRY has been made with standardized unit sizing. This means that the opening for the fireplace can be made at any stage of a build, the appliance can be easily installed and finished with the included surround at the end of a project. The surround beautifully completes the fireplace without the need for finicky or costly finishing.

FIRE & ICE FLAME KIT FIRE & ICE TRAY KIT

This kit provides the necessary components to enable the FIRE & ICE presentation to be included with the Amantii Smart Fireplace. The Smart models use the latest cutting edge technology and innovation to provide instant heat, realistic flame and adaptive lighting. Fire and Ice Flame and Tray Kits are available for purchase.

CLEAN FACE NO UNSIGHTLY VENTING

Unlike models made by other manufacturers, SYMMETRY models are unencumbered by unsightly venting. Venting and grills take away from the aesthetics of a fireplace and the SYMMETRY series have some of the biggest glass viewing areas in the industry. You'll see more of what is important - a beautiful, warm and comforting flame display.

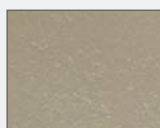




SYMMETRY SMART OPTIONS

OPTIONAL SURROUNDS

Add a designer touch to your space with a beautifully finished Dark Grey or Bronze colored surround. These decorative surrounds will compliment Symmetry Smart fireplace in 50", 60" & 74" models only. The surrounds will arrive in a separate package.



Bronze



Dark Grey

FOR SEMI-FLUSH MOUNT INSTALLATION

For rooms where space may be at a premium, Symmetry Smart models can also be partially recessed within a 2 x 4 wall. The unit will sit 2" outside of the wall with 4" of the unit mounted inside.

- This install option requires the Semi-Flush Mount Surround (SYM-XS) to finish the look of the fireplace.
- The Semi-Flush Mount Surround has a black finish and has a depth of 2 1/4"
- The Semi-Flush Mount Surround must be purchased separately. Ships in a separate box.
- This application is only applicable to the Symmetry Smart. XT models must be fully recessed.

SYMMETRY BESPOKE FEATURES

TWO FLAME STYLE PATTERNS

The SYMMETRY fireplace arrives from the factory with a NEW realistic style flame pattern. Enjoy our FIRE & ICE® flame presentation in a new style that mimics real fire like never before. If you prefer Amantii's traditional diffused flame appearance, simply remove the included stencil.



Birch Log *with* real flame stencil
Orange flame



Ember Media *without* real flame stencil
Orange flame



Ember Media *with* real flame stencil
Red flame



Birch Log *without* real flame stencil
Orange flame



Rustic Log *with* real flame stencil
Yellow flame



Glass Chunks *without* real flame stencil
Yellow flame



Ember Rocks *with* Flame Mold
Yellow flame
Ambient Canopy Lighting: On



Ember Rocks *without* real flame stencil
Yellow flame
Ambient Canopy Lighting: On

AMBIENT CANOPY LIGHTING

Add more dimension and excitement to your SYMMETRY electric fireplace by illuminating Amantii's decorative media kits (or your own) from above. The ambient canopy lighting is located in the upper part of the fireplace and with the click of a button, choose from 11 colors of light.



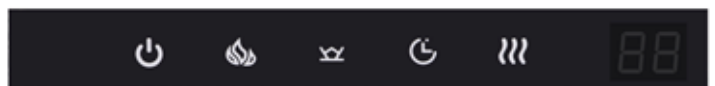
Lighting On



Lighting Off

TOUCH PAD

Convenient touch pad with temperature indicator display.



HASSLE FREE INSTALLATION

The SYMMETRY has been made with standardized unit sizing. This means that the opening for the fireplace can be made at any stage of a build, the appliance can be easily installed and finished with the included surround at the end of a project. The surround beautifully completes the fireplace without the need for finicky or costly finishing.



FIRE & ICE FLAME KIT FIRE & ICE TRAY KIT

This kit provides the necessary components to enable the FIRE & ICE presentation to be included with the Amantii Smart Fireplace. The Smart models use the latest cutting edge technology and innovation to provide instant heat, realistic flame and adaptive lighting. Fire and Ice Flame and Tray Kits are available for purchase.



CLEAN FACE NO UNSIGHTLY VENTING

Unlike models made by other manufacturers, SYMMETRY models are unencumbered by unsightly venting. Venting and grills take away from the aesthetics of a fireplace and the SYMMETRY series have some of the biggest glass viewing areas in the industry. You'll see more of what is important - a beautiful, warm and comforting flame display.



SYMMETRY XT FEATURES

TWO FLAME STYLE PATTERNS

The SYMMETRY fireplace arrives from the factory with a NEW realistic style flame pattern. Enjoy our flame presentation in a new style that mimics real fire like never before. If you prefer Amantii's traditional diffused flame appearance, simply remove the included stencil.



Birch Logs *with* real flame stencil
Yellow flame with a little Orange
Ambient Canopy Lighting: On



Birch Logs *without* real flame stencil
Yellow flame with a little Orange
Ambient Canopy Lighting: On



Rustic Logs *with* real flame stencil
All Yellow
Ambient Canopy Lighting: On



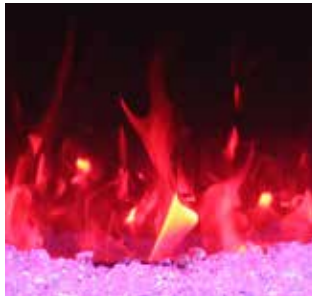
Rustic Logs *without* real flame stencil
All Yellow
Ambient Canopy Lighting: On



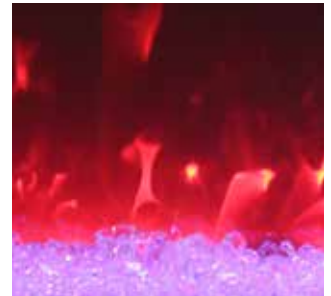
Drift Logs *with* real flame stencil
All Yellow All Orange flame
Ambient Canopy Lighting: On



Drift Logs *without* real flame stencil
All Yellow All Orange flame
Ambient Canopy Lighting: On



Glass Rocks *with* Flame Mold
Orange flame with a little Red
Ambient Canopy Lighting: On



Glass Rocks *without* real flame stencil
Orange flame with a little Red
Ambient Canopy Lighting: Off



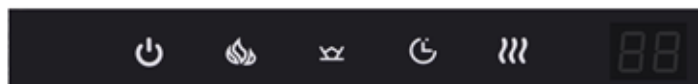
Ember Rocks *with* Flame Mold
Yellow flame
Ambient Canopy Lighting: On



Ember Rocks *without* real flame stencil
Yellow flame
Ambient Canopy Lighting: On

TOUCH PAD

Convenient touch pad with temperature indicator display.



AMBIENT CANOPY LIGHTING

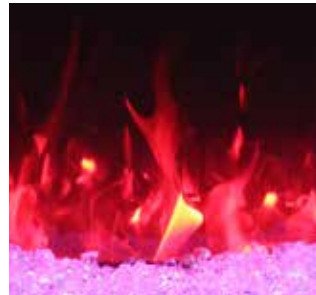
Add more dimension and excitement to your SYMMETRY electric fireplace by illuminating Amantii's decorative media kits (or your own) from above. The ambient canopy lighting is located in the upper part of the fireplace and with the click of a button, choose from 11 colors of light.



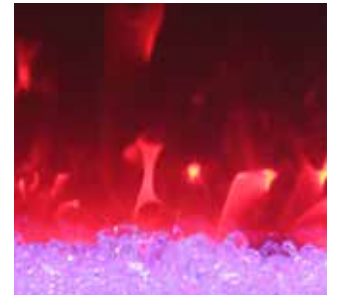
Lighting On



Lighting Off



Lighting On



Lighting Off

TALL VIEWING AREA



17-5/8"

SYM-50XT



13-1/8"

SYM-50



10-3/4"

SYM SLIM 50

EXTRA DEEP TRAY

At 12" in depth the extra deep tray accommodates more decorative media than any other unit on the market.

DUAL HEATERS ON SELECT XT MODELS

The SYM-60 XT, SYM-74 XT, SYM-88 XT and SYM-100 XT have dual heaters built-in, for double the heat output.

FIRE & ICE FLAME KIT FIRE & ICE TRAY KIT

This kit provides the necessary components to enable the FIRE & ICE presentation to be included with the Amantii Smart Fireplace. The Smart models use the latest cutting edge technology and innovation to provide instant heat, realistic flame and adaptive lighting. Fire and Ice Flame and Tray Kits are available for purchase.



SYMMETRY SERIES | ELECTRIC FIREPLACES

FIRE GLASS

Our decorative fire glass media is a beautiful addition to your fireplace. Turn your fireplace into a expressive work of art by simply adding our decorative fire glass media. Our fire glass adds a distinctly modern feel to your gas fireplace - mix colors and textures for a unique appearance.

Our decorative fire glass is tempered and will not melt or degrade, some discoloration is normal on glass that is placed directly on the flame. Always wear protective gloves when handling fire glass media.

One 5lb container of media will cover 1 square foot.



Images are not to scale, please visit your local dealer to view the actual accessories.

Variations in the color and shade are inherent in all printing processes, the actual colors may vary slightly from those shown.

Note: Log sets and Designer Media Kits will fit in all sizes of the following models - Panorama DEEP, TRU VIEW XL and CUBE ONLY. (Depending on the size of the fireplace model, some logs may not be needed.)

DESIGNER MEDIA KITS

Add incredible value with designer media kits including deluxe log sets, glass and stone media and decorative embers.

DESIGN-MEDIA-BIRCH-10PCE



DESIGN-MEDIA-OAK-10PCE



DESIGN-MEDIA-NATURAL-8PCE



DESIGN-MEDIA-14PCE



14-piece log



Black fire glass 90-piece pebble Rocks



Embers 1 Embers 2 Embers 3 Embers 4

DESIGN-MEDIA-BIRCH-15PCE



15-piece Birch log



Black fire glass 90-piece pebble Rocks



Embers 1 Embers 2 Embers 3 Embers 4

DESIGN-MEDIA-15PCE



15-piece Drift log



Black fire glass Embers 1 Embers 3



90-piece pebble Rocks Embers 2 & 4

DESIGN-MEDIA-6PCE



6-piece log



Black fire glass 90-piece pebble Rocks



Embers 1 Embers 2 Embers 3 Embers 4

DESIGN-MEDIA-SPLIT-LOG-16PCE



16-piece log



Black fire glass 90-piece pebble Rocks



Embers 1 Embers 2 Embers 3 Embers 4

DESIGN-MEDIA-BIRCH-12PCE



For XT & XT Bespoke models only
The NEW Design Media Birch 12 piece log set expands the Design Media Birch 15 piece log set, if required, and is available for purchase.

DESIGN-MEDIA-OAK-18PCE



Black fire glass 90-piece pebble Rocks



Embers 1 Embers 2 Embers 3 Embers 4

TRD 30, TRD 33, TRD 33 Bespoke, TRV XL 40, TRV XLXT 40, TRV 40 Bespoke, SYM XT 40, SYM Bespoke 40 and Panorama Deep XT 40



AM-SYM-US JAN 2023

Distributed By:

We reserve the right to update products, specifications and dimensions are subject to change. Please refer to the product manual to verify measurements and clearance requirements. All local building codes must be followed.

Amantii

Visit our online showrooms at:
www.symmetryfireplace.com
www.amantii.com

WM-FM & WM-FML

LINEAR ELECTRIC FIREPLACES
INDOOR

Amantii



WM-FM-72-8123-BG
with optional Oak Logs

WM-FML STEEL

WALL MOUNT FLUSH MOUNT STEEL SURROUND

Sierra Flame by Amantii's Steel Linear Series featuring a deep charcoal colored steel surround. The steel surround has aesthetic proportions and features a touch pad with a numerical temperature display. Heat is emitted through the face below the glass viewing area allowing for a flush mount installation. If recessing is not an option, this model is also wall mountable and perfect in apartments of in places where renovation or construction is not an option.

Available in 6 sizes, you'll find a unit that is perfect for any space in your home, business or commercial space. Boasting our FIRE & ICE® presentation with three color LED strips allowing for a multi-color flame options. With just a click of the included remote control choose from blue, rose, violet, yellow or orange colored flames. The WM-FML-STL series comes standard with clear decorative media. Further media options available for additional purchase.

KEY FEATURES

- Can be built in flush or wall mounted with included brackets. Heat is emitted from a single slot in the face of the surround.
- FIRE & ICE® Flame presentation - three light strips allow for yellow, orange, blue, violet and rose colored flames
- Stove bright charcoal metallic finished steel surround
- Touch pad with temperature display
- Latest LED light technology
- 13 colors of surround back-lighting
- Hard-wire ready
- Thermostat hard-wire ready
- Plug on left side
- Heat can operate without flame
- Single remote control for flame, surround back-lighting & heater included
- Can produce up to 5000 BTU of heat, enough to heat up to 500 sq feet

IDEAL APPLICATIONS

- Residential spaces
- Commercial spaces
- Restaurants
- New construction or renovations
- Places where construction is not an option (wall mount)

TECHNICAL SPECS

Volts	120
Amps	13
Watts	1500 max
Heater On	1500 watts high, 750 watts low
Heater Off	22 watts
Rotor Motor	1 at 5 watts
BTU	5000

WM-FM GLASS SERIES

6 sizes to choose from. Further media options available for additional purchase.

SERIES MODELS:

- WM-FML-26-3223-STL
- WM-FML-34-4023-STL
- WM-FML-48-5523-STL
- WM-FML-60-6623-STL
- WM-FML-72-7823-STL
- WM-FML-88-9623-STL



WM-FML-48-5523-STL

*Height, Width, Depth: 22 1/2 x 55 x 7 1/8
Glass Viewing Opening: 45 1/2 x 10
**Shipping Size: 27 2/5 x 58 2/3 x 10 1/2
Shipping Weight: 79 lbs. Glass Included



WM-FML-60-6623-STL

*Height, Width, Depth: 22 1/2 x 66 x 7 1/8
Glass Viewing Opening: 57 1/4 x 10
**Shipping Size: 27 2/5 x 70 4/9 x 10 1/2
Shipping Weight: 91.50 lbs. Glass Included



WM-FML-72-7823-STL
 *Height, Width, Depth: 22 1/2 x 78 x 7 1/8
 Glass Viewing Area: 69 x 10
 **Shipping Size: 27 2/5 x 82 1/6 x 10 1/2
 Shipping Weight: 114 lbs. Glass Included



WM-FML-26-2623-STL
 *Height, Width, Depth: 22 1/2 x 32 x 7 1/8
 Glass Viewing Area: 23 1/2 x 10
 **Shipping Size: 27 2/5 x 36 2/3 x 10 1/2
 Shipping Weight: 52 lbs. Glass Included



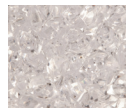
WM-FML-34-4023-STL
 *Height, Width, Depth: 22 1/2 x 40 x 7 1/8
 Glass Viewing Area: 31 1/2 x 10
 **Shipping Size: 27 2/5 x 44 2/3 x 10 1/2
 Shipping Weight: 61 lbs. Glass Included



WM-FML-88-9623-STL
 *Height, Width, Depth: 22 1/2 x 96 x 7 1/8
 Glass Viewing Opening: 86 x 10
 **Shipping Size: 27 2/5 x 99 1/5 x 10 1/2
 Shipping Weight: 137 lbs. Glass Included

INCLUDED ACCESSORIES

Sierra Flame WM-FML Steel Series comes with clear decorative media, plus a remote.



*Remote control may not be exactly as shown

WM-FM GLASS

WALL MOUNT FLUSH MOUNT GLASS SURROUND

The Wall Mount/Flush Mount series features an exclusive Fire and Ice flame presentation. Simply wall mount or built in flush with the included brackets.

Heat is emitted from a single slot in the face of the surround. 13 colors of surround back-lighting illuminate spaces creating even more ambiance. All

Built-In Flush Mount / Wall Mount fireplaces come standard with a driftwood style log set and optional decorative media of EMBER or FIRE & ICE® media are available for purchase.

A standard surround included in the box for the WM FM series is black - White glass surrounds are available for additional purchase.

KEY FEATURES

- WiFi Compatible to connect and control the fireplace from your smartphone with the use of our app. Available on the Google Play Store and Apple App Store
- Three speed flame motor
- 5000 BTU
- No unsightly venting and grills seen. A true clean and vent free look
- Programmable timer & thermostat allows you to decide the temperature of the room. Set your fireplace to turn on before you arrive home or have it automatically turn on when the weather is cold.
- Touch pad for convenient control of the features and temperature display from the fireplace.
- Choose from combinations of yellow, orange and red colored flames
- Approved for indoor or outdoor applications. *Overhang required for outdoor applications
- Choose from 11 colors of canopy and ember bed lighting to illuminate decorative media from below and above
- Two flame pattern styles – standard and more traditional
- New patented thermostatic remote comes included

IDEAL APPLICATIONS

- Residential spaces
- Commercial spaces
- Restaurants
- New construction or renovations
- Places where construction is not an option (wall mount)

TECHNICAL SPECS

Volts	120
Amps	13
Watts	1500 max
Heater On	1500 watts high, 750 watts low
Heater Off	22 watts
Rotor Motor	1 at 5 watts
BTU	5000

INCLUDED ACCESSORIES

Amantii WM-FM Glass Front Series comes with installed log set, plus a remote.



WM-FM GLASS SERIES

7 sizes to choose from. White glass surrounds available for purchase. See page 7 for more details.

SERIES MODELS:

- WM-FM-26-3623-BG
- WM-FM-48-5823-BG
- WM-FM-72-8123-BG
- WM-FM-50-BG (does not have the surround back-light feature)
- WM-FM-34-4423-BG
- WM-FM-60-7023-BG
- WM-FM-88-10023-BG



WM-FM-48-5823-BG

Height, Width, Depth: 23 x 57 1/2 x 6 3/4
Glass Viewing Area: 45 1/2 x 10
**Shipping Size: 59 5/8 x 8 1/4 x 24 1/2
Shipping Weight: 81 lbs Glass Included



WM-FM-50-BG

Height, Width, Depth: 23 x 51 x 6 3/4
Glass Viewing Area: 45 1/2 x 10
**Shipping Size: 61 x 10 1/4 x 26 1/4
Shipping Weight: 84 lbs Glass Included
*NOTE: WM-FM-50-BG does not have the surround back-light feature.

WM-FM-60-7023-BG

*Height, Width, Depth: 23 x 69 1/4 x 6 3/4

Glass Viewing Area: 57 1/4 x 10

**Shipping Size: 71 1/2 x 8 1/4 x 24 1/2

Shipping Weight: 97 lbs. Glass Included



WM-FM-26-2623-BG

*Height, Width, Depth: 23 x 35 1/2 x 6 3/4

Glass Viewing Area: 23 1/2 x 10

**Shipping Size: 38 3/4 x 9 1/8 x 25 1/4

Shipping Weight: 53 lbs Glass Included

WM-FM-34-4423-BG

*Height, Width, Depth: 23 x 43 1/2 x 6 3/4

Glass Viewing Area: 31 1/2 x 10

**Shipping Size: 47 1/4 x 9 1/8 x 25 1/4

Shipping Weight: 53 lbs Glass Included



WM-FM-72-8123-BG

*Height, Width, Depth: 23 x 81 x 6 3/4

Glass Viewing Area: 69 x 10

**Shipping Size: 83 1/4 x 8 1/4 x 24 1/2

Shipping Weight: 113 lbs Glass Included

WM-FM-88-10023-BG

*Height, Width, Depth: 23 x 100 x 6 3/4

Glass Viewing Area: 86 x 10

**Shipping Size: 102 5/8 x 8 1/4 x 24 1/2

Shipping Weight: 139 lbs Glass Included

WM-BI-2428 VLR BG

WALL MOUNT FLUSH MOUNT STEEL SURROUND

Not all spaces can accommodate a full scale fireplace, and here is where a corner fireplace shines literally and figuratively.

Tucked into even the smallest of nooks, our WM-BI-2428 VLR BG is guaranteed to render that room the most beloved centre of the household.

The WM-BI-2428 VLR BG boasts a modern, streamlined temperament, with a geometric, rather than classic sensibilities, or stay true to their more traditional counterparts.

This corner fireplace is all about complimenting your home's unique interior, be it rustic or contemporary, and your rest assured your corner fireplace will punctuate your interior taste like a personal signature. Ambiance is a timeless quality, and the WM-BI-2428-VLR BG will enhance your surroundings tenfold.

KEY FEATURES

- 2 Installation Options - Built In or Mounted Cross Corner
- Black Glass Surround with a Curved Glass Design is available for purchase
- Improved Uplights and Downlights
- Thermostat and Hardwire Ready
- Perfect for New Construction and Renovation Projects

IDEAL APPLICATIONS

- Residential spaces
- Commercial spaces
- Restaurants
- New construction or renovations

TECHNICAL SPECS

Volts	120
Amps	12.5
Watts	1500 max
Heater	1500 watts high 750 watts low
No Heater	22 watts
Lamps	LED 22 watts
Rotor Motor	1 at 5 watts
Approx.	
Heating Area	400 sq. ft.



WM-BI-2428-VLR-BG Curved Surround

*Height, Width, Depth: 28 x 24 x 9 1/8

Glass Viewing Area: 16 1/8 x 14 5/8

Glass Size: 24 x 28

**Shipping Size: 27 3/8 x 12 x 31

Shipping Weight: 61 lbs. Glass Included

FIRE GLASS

Our decorative fire glass media is a beautiful addition to your fireplace. Turn your fireplace into a expressive work of art by simply adding our decorative fire glass media. Our fire glass adds a distinctly modern feel to your gas fireplace - mix colors and textures for a unique appearance.

Our decorative fire glass is tempered and will not melt or degrade, some discoloration is normal on glass that is placed directly on the flame. Always wear protective gloves when handling fire glass media.

One 5lb container of media will cover 1 square foot.

AMSF-GLASS-01



AMSF-GLASS-02



AMSF-GLASS-03



AMSF-GLASS-04



AMSF-GLASS-05



AMSF-GLASS-06



AMSF-GLASS-07



AMSF-GLASS-08



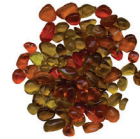
AMSF-GLASS-09



AMSF-GLASS-10



AMSF-GLASS-11



AMSF-GLASS-12



AMSF-GLASS-13



AMSF-GLASS-14



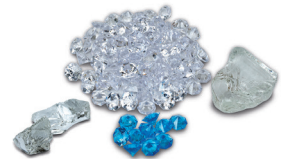
AMSF-GLASS-15



AMSF-GLASS-16



FI-105-DIAMOND



FI-107-DIAMOND



FI-109 DIAMOND



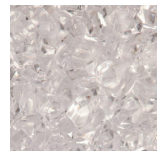
LOG SET



LRG LOG SET



CLEAR



Images are not to scale, please visit your local dealer to view the actual accessories.

Variations in the color and shade are inherent in all printing processes, the actual colors may vary slightly from those shown.

Note: Log sets and Designer Media Kits will fit in all sizes of the following models - Panorama DEEP, TRU VIEW XL and CUBE ONLY. (Depending on the size of the fireplace model, some logs may not be needed.)

DESIGNER MEDIA KITS

Add incredible value with designer media kits including deluxe log sets, glass and stone media and decorative embers.

DESIGN-MEDIA-BIRCH-10PCE



DESIGN-MEDIA-OAK-10PCE



DESIGN-MEDIA-14PCE



14-piece log



DESIGN-MEDIA-BIRCH-15PCE



15-piece Birch log



DESIGN-MEDIA-15PCE



15-piece Drift log



DESIGN-MEDIA-6PCE



6-piece log



Images are not to scale, please visit your local dealer to view the actual accessories.

Variations in the color and shade are inherent in all printing processes, the actual colors may vary slightly from those shown.

Note: Log sets and Designer Media Kits will fit in all sizes of the following models - Panorama DEEP, TRU VIEW XL and CUBE ONLY.

(Depending on the size of the fireplace model, some logs may not be needed.)

AM-WMFM-WMFML-US

Jan 2023

Distributed By:



Visit our online showrooms at:

www.amantii.com

877-850-9458

Product updates, specifications and dimensions are subject to change. Please refer to the product manual to verify measurements and clearance requirements. All local building codes must be followed.