

*Amantii*

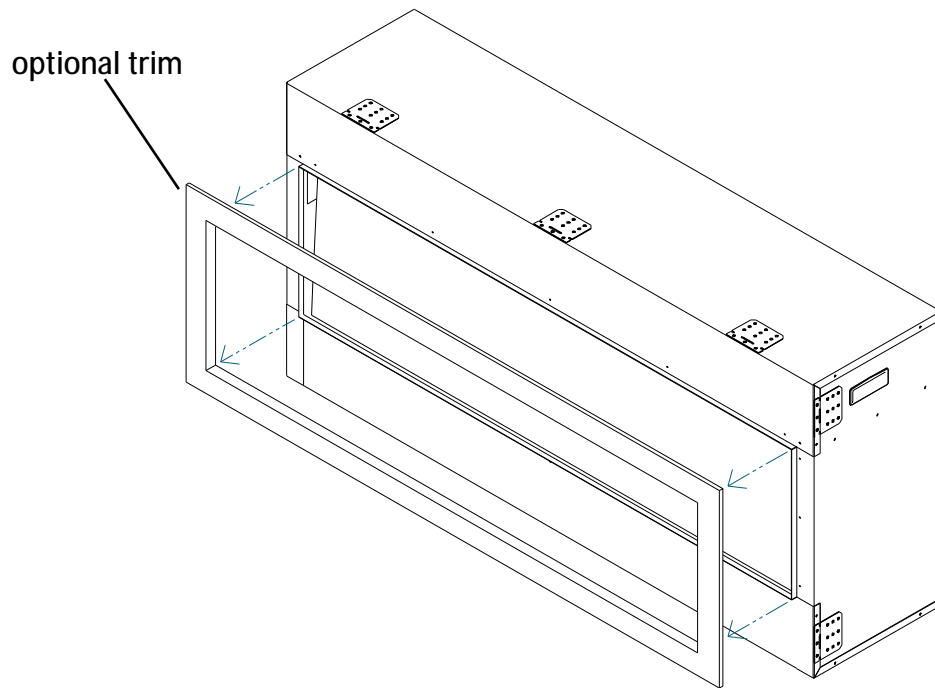
ELECTRIC FIREPLACES

[www.amantii.com](http://www.amantii.com)

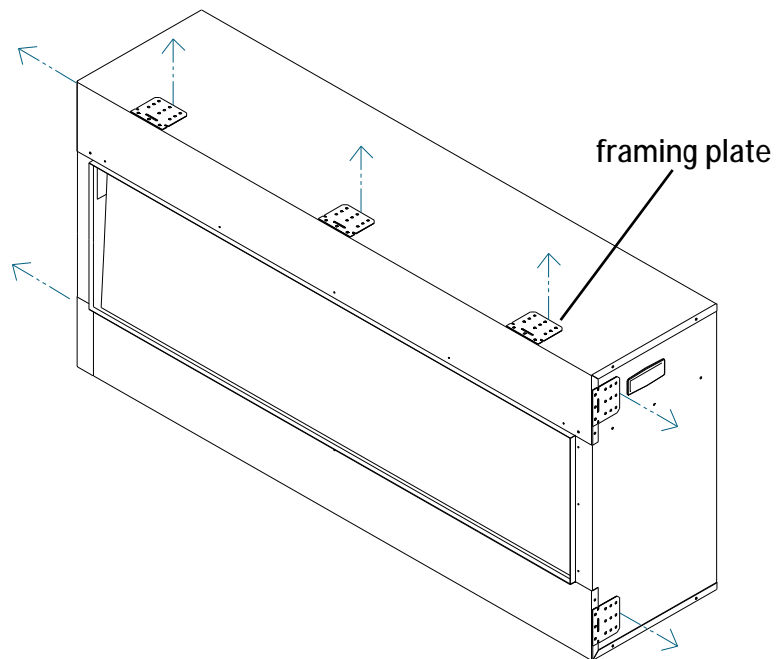
INSTALLATION INSTRUCTIONS FOR

BI-DEEP and BI-SLIM series

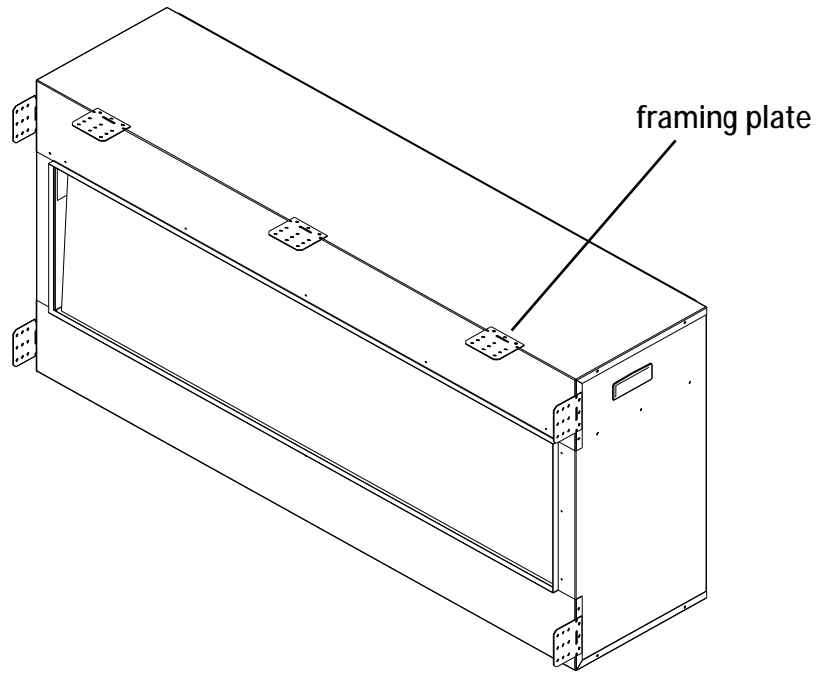
1. Take out the unit from the box. Please do the pre-test before you install the fireplace. Pull out the optional trim from the unit as shows below.



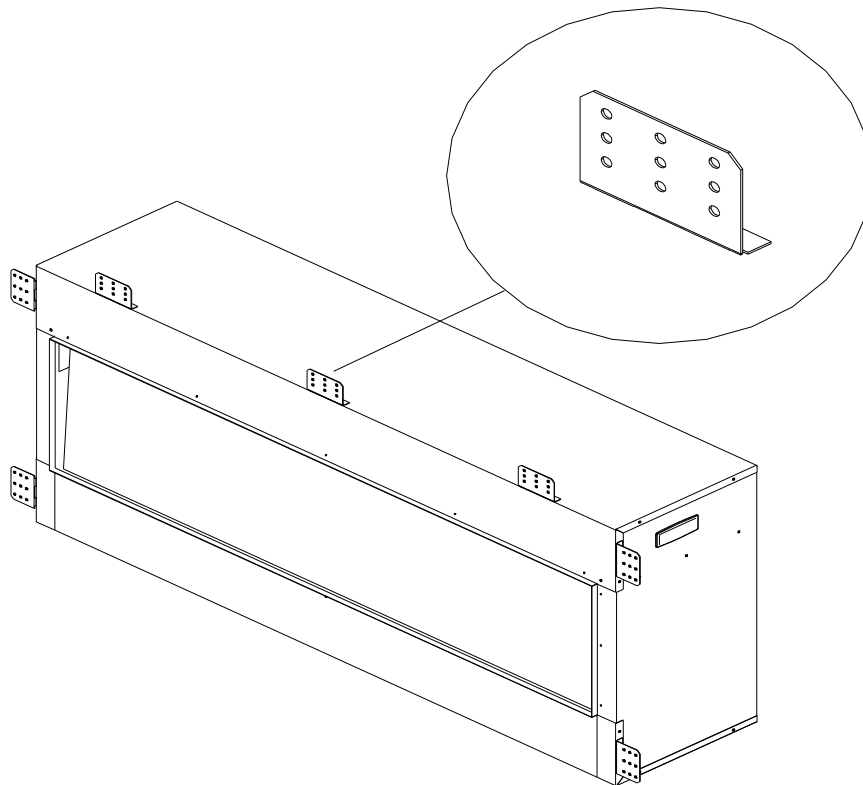
2. Remove the framing plates from the unit



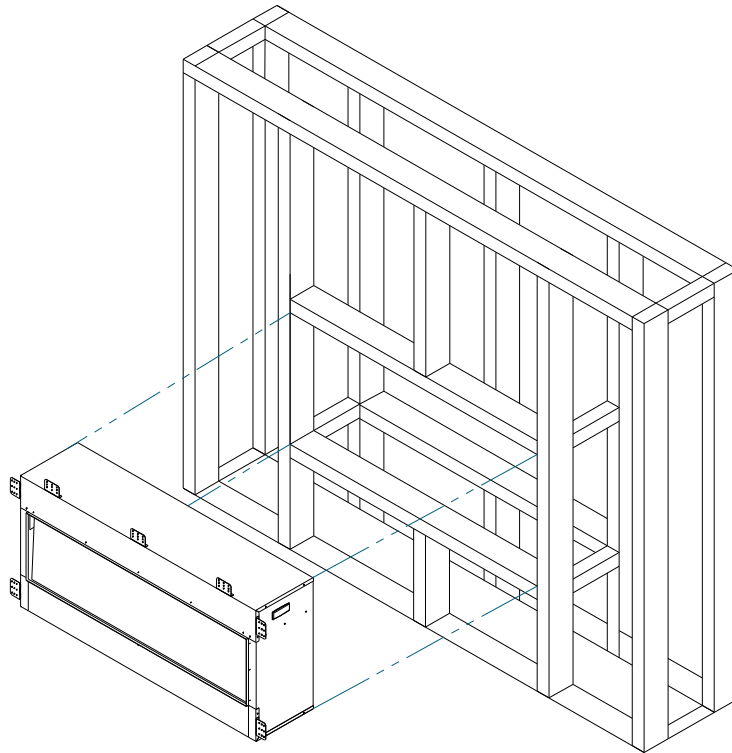
3. Re-fix the framing plates to the unit as the picture shows



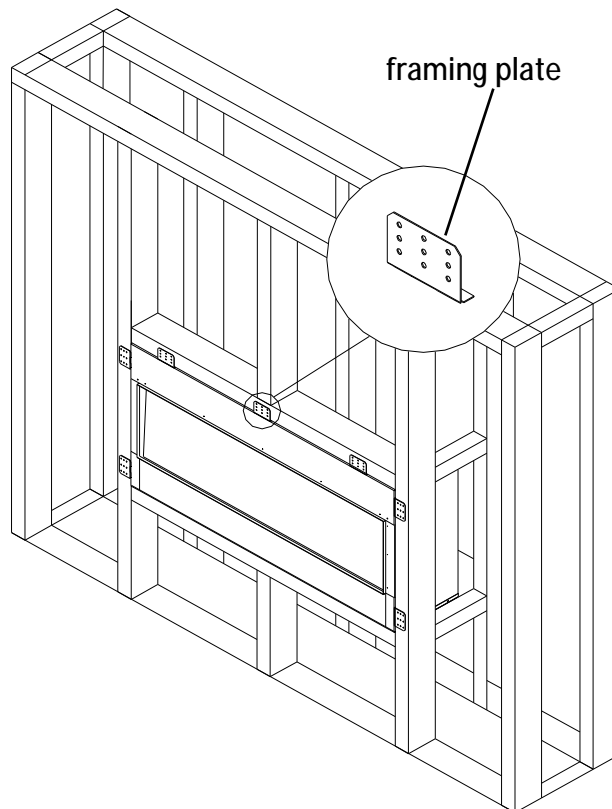
4. Bend up the framing plates.



5. Put the unit into the opening.

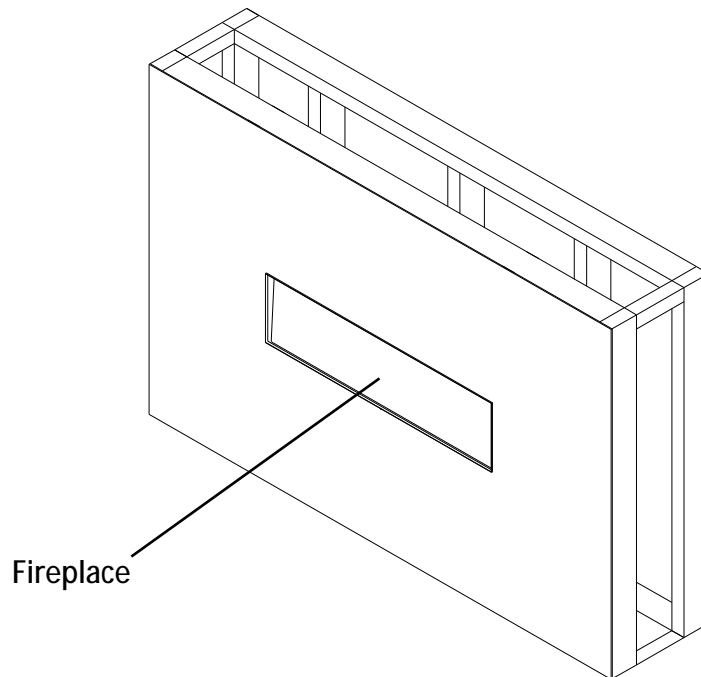


6. Drive the mounting screws into the framing plates on the unit and the wall studs.

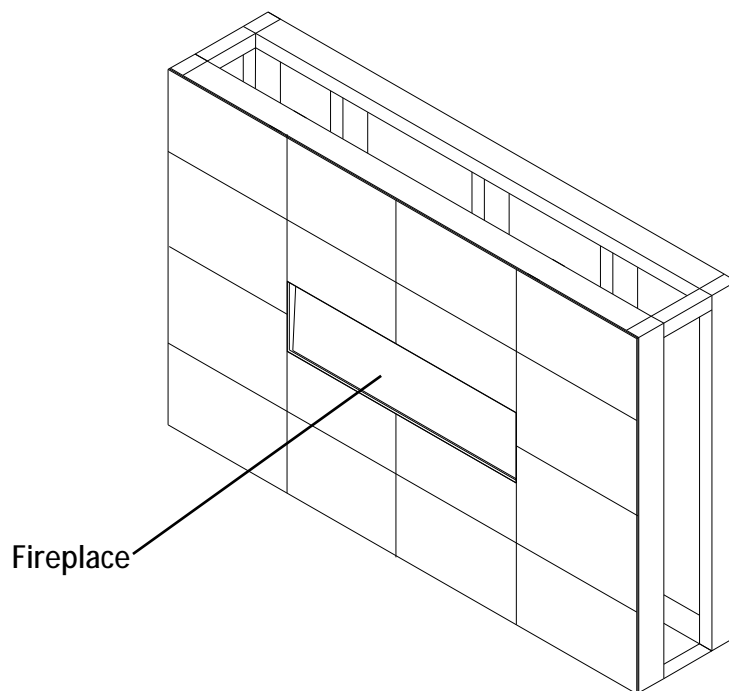


7. After checking that the fireplace operates properly, cover the glass panel with protective plastic bag and install polywood.

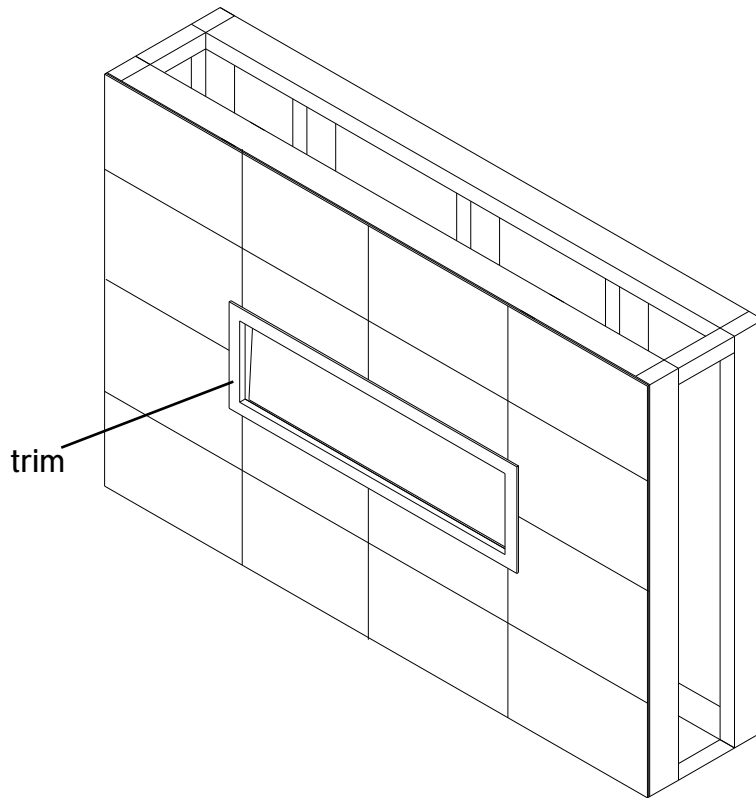
NOTE: IF YOU WANT TO USE THE TRIM KIT SUPPLIED that the thickness of the wall finish can only be 1 inch.



8. Decorate the polywood with glazed tile, wallpaper, etc.



9. Put back the trim that you've removed from the unit at STEP 1.



### **SAFETY DRILL SCREW AREA**

There is a safety drill screw area as show below. Please make sure that the fix screws are in this area.

