

**INSTALLER: LEAVE THIS MANUAL WITH THE APPLIANCE.  
CONSUMER: RETAIN THIS MANUAL FOR FUTURE REFERENCE.**

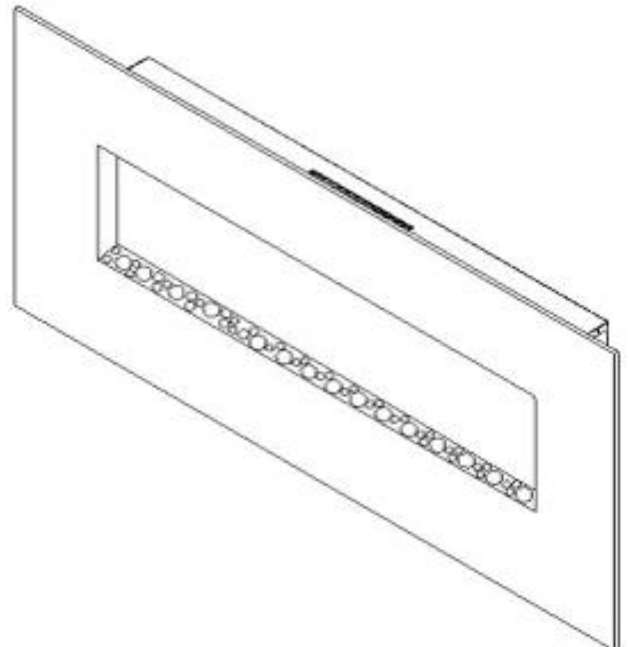
*Amantii*

# **INSTALLATION AND OPERATING INSTRUCTIONS**

CERTIFIED UNDER CANADIAN AND AMERICAN NATIONAL STANDARDS: CSA C22.2 No.46 – M1988/UL 1278 (3<sup>rd</sup> Edition)

## **WM-50**

### **ELECTRIC FIREPLACE**



**IMPORTANT:** It is important to read these instructions carefully before using the appliance for the first time. Keep the instructions safe so that you can refer to them later if necessary.

## IMPORTANT INSTRUCTIONS

When using electrical appliances basic precautions should always be followed to reduce the risk of fire, electric shock and injury to persons, including the following:

- Read all instructions before using this heater.
- This heater is hot when in use. To avoid burning, do not touch hot surface. If provided, use handles when moving this heater. Keep combustible materials, such as furniture, pillows, bedding, papers, clothes, and curtains at least 1 m from the front of the heater and keep them away from the sides and rear. In order to avoid overheating, do not cover the heater.
- Extreme caution is necessary when any heater is used near children or the infirm and whenever the heater is left operating and unattended.
- Always unplug heater when not in use.
- Do not operate any heater with a damaged cord or plug or after the heater malfunctions, has been dropped or damaged in any manner, return heater to authorized service facility for examination, electrical or mechanical adjustment, or repair.
- Do not use outdoors.
- This heater is not intended for use in bathrooms, laundry areas and similar indoor locations. Never locate heater where it may fall into a bathtub or other water container.
- Do not run cord under carpeting. Do not cover cord with throw rugs, runners, or similar coverings. Arrange cord away from traffic area and where it will not be tipped over.
- To disconnect heater, turn controls to off, then remove plug from outlet.
- Do not inset or allow foreign objects to enter any ventilation or exhaust opening as this may cause an electric shock or fire, or damage the heater.
- To prevent a possible fire, do not block air intakes or exhaust in any manner. Do not use on soft surfaces, like a bed, where openings may become blocked.
- A heater has hot and arcing or sparking parts inside. Do not use it in areas where gasoline, or flammable liquids are used or stored.
- Use this heater only as describes in this manual. Any other use not recommended by the manufacturer may cause fire, electric shock, or injury to persons.
- DANGER-HIGH Temperatures may be generated under certain abnormal conditions. Do not partially or fully cover or obstruct the front of this heater.
- Replacement of the lamps should be done only while the heater is disconnected from the supply circuit.
- This appliance is not intended for use by persons (including children) with reduced physical, sensory or capabilities, or lack of experience and knowledge, unless they have been given supervision or instruction concerning use of the appliance by a person responsible for their safety. Children should be supervised to ensure that they do not play with the appliance.

**CAUTION:** In order to avoid a hazard due to inadvertent resetting of the thermal cut-out, this appliance must not be supplied through an external switching device, such as a timer, or connected to a circuit that is regularly switched on and off by the utility.

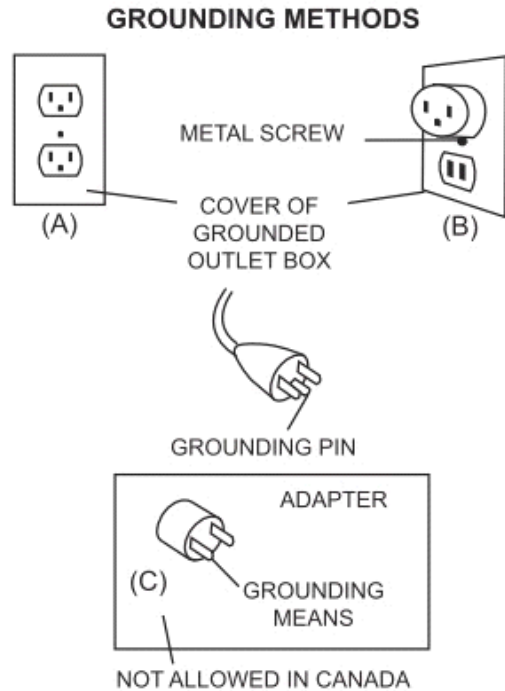
## UNPACKING AND TESTING APPLIANCE

Carefully remove the appliance from the box. Prior to installing the appliance, test to make sure the appliance operates properly by plugging the power supply cord into a conveniently located 120 Volt grounded outlet.

### 【 Grounding Appliance 】

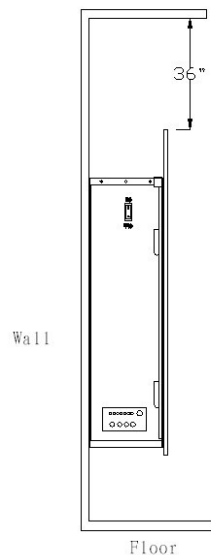
This appliance is for use on 120 Volts. The cord has a plug as shown in (A). An adapter as shown in (C) is available for connecting three-blade grounding type plugs to two-slot receptacles. The green grounding lug extending from the adapter must be connected to a permanent ground such as a properly grounded outlet box. The adapter should not be used if a three-slot grounded receptacle is available.

To disconnect appliance, turn controls to off, then remove plug from outlet.

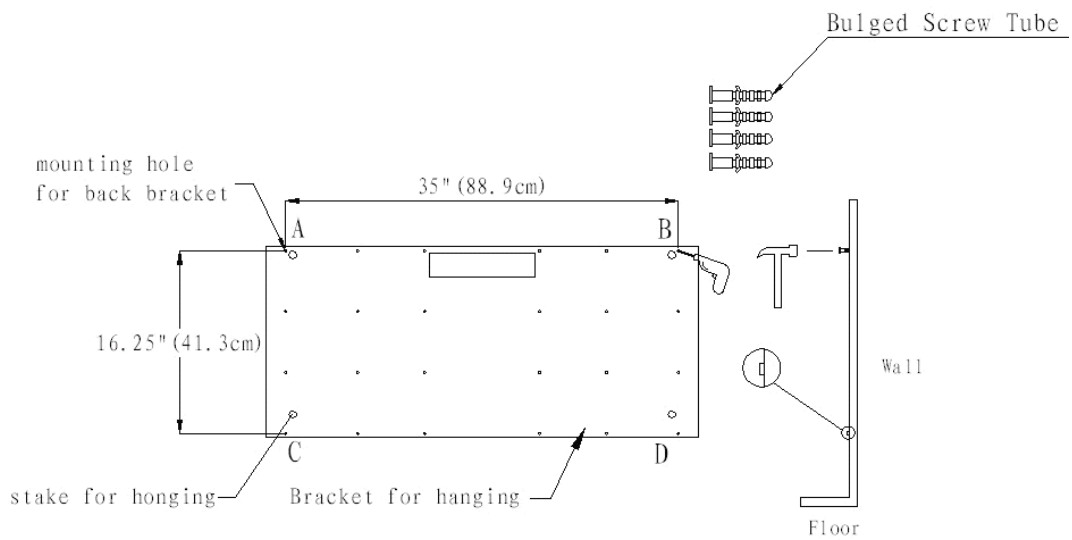


### 【 INSTALLATION 】

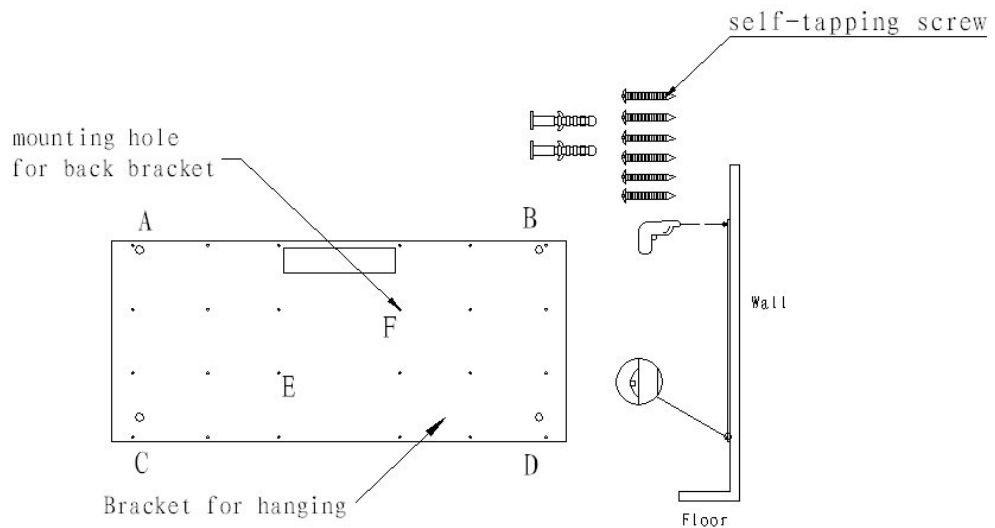
**CAUTION:** INSTALL THE BOTTOM OF THE HEATER NO LESS THAN 2 INCHES ABOVE THE FINISHED FLOOR.



1) Select a location that is not prone to moisture and is located at least 36" away from combustible materials such as curtain drapes, furniture, bedding, paper, etc. then use a  $\varnothing$  2.75 drill to drill the four holes A,B,C,D and use the Hammer to thread the Bulged screw tube into the hole till it keep flat with the wall.

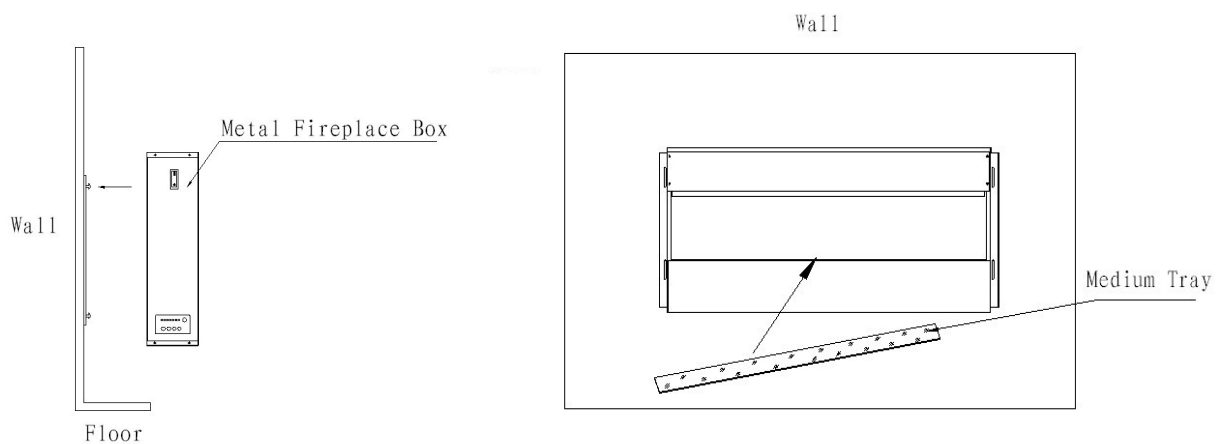


2) Using the four Self-tapping screws to attach the back bracket to the wall. After finishing tightening the four holes, please drill the hole in the middle (E、F) of the bracket, use the bulged screw tube and the self-tapping screw to tighten it.

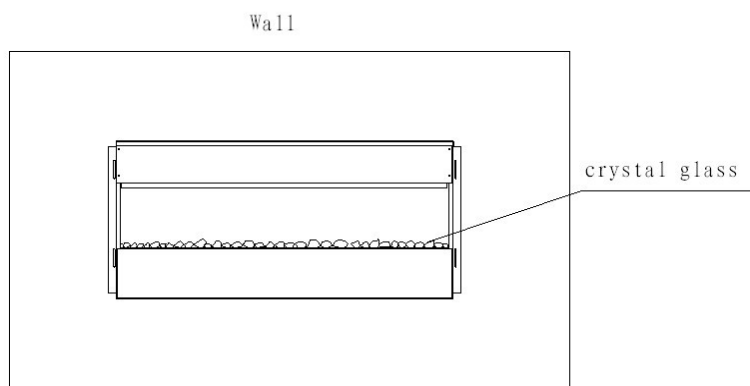


3) With the screws installed have two people lift the appliance up and insert the stakes into the mounting holes on the back of the fireplace box

4) Place the Medium tray to the slot that replaced log. As below figure



5) Check the appliance for stability ensuring that the appliance will not pull free from the wall. After finishing above steps, then place the fire glass in the Fire glass Media tray.

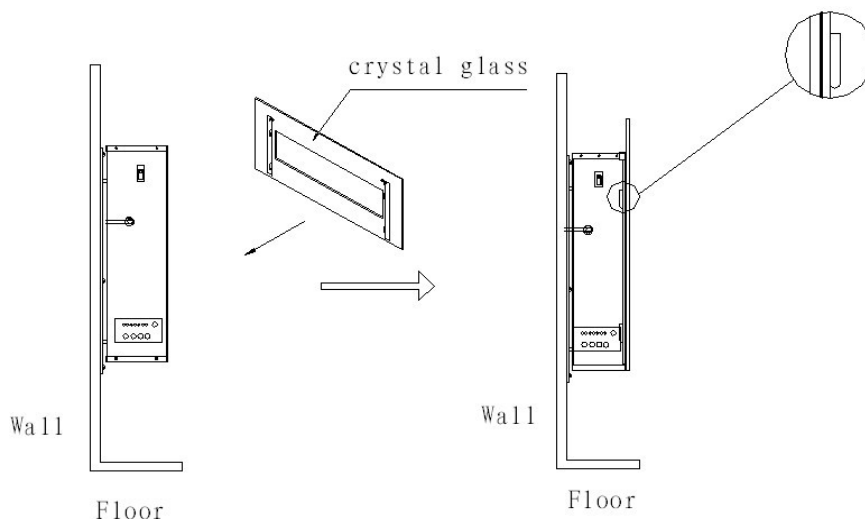


## GLASS FRONT INSTALLATION

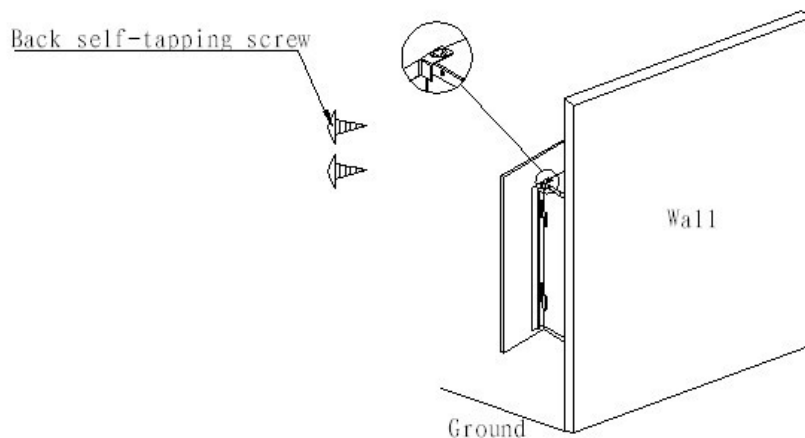
It is recommended that two people install this glass front onto the appliance, Wear safety glasses and gloves when handling glass.

**A.** Line up the brackets on the back of the glass with the 4 shoulder screws on the side of the appliance body.

**B.** Hang the glass front.



Lock the two screws in the topsides of the fireplace which help to keep safety of the Crystal Glass.



## 【 Safety instructions 】

Only use the appliance in accordance with the instructions in this manual! It cannot be used for any other purpose.

Never operate the appliance when the appliance itself or the main cable show any signs of damage.

In order to avoid overheating, do not cover the heater.

Be responsible when handling the packing material. Warning: plastic wrapping may be lethal to children.

Do not place the appliance next to a socket.

Never operate the heater on a program switch, timer switch or any other appliance for automatic operation.

The heater is only suitable for indoor use.

Never use the heater in the bathroom, shower or near a swimming pool.

The heater must not be located immediately below a socket-outlet

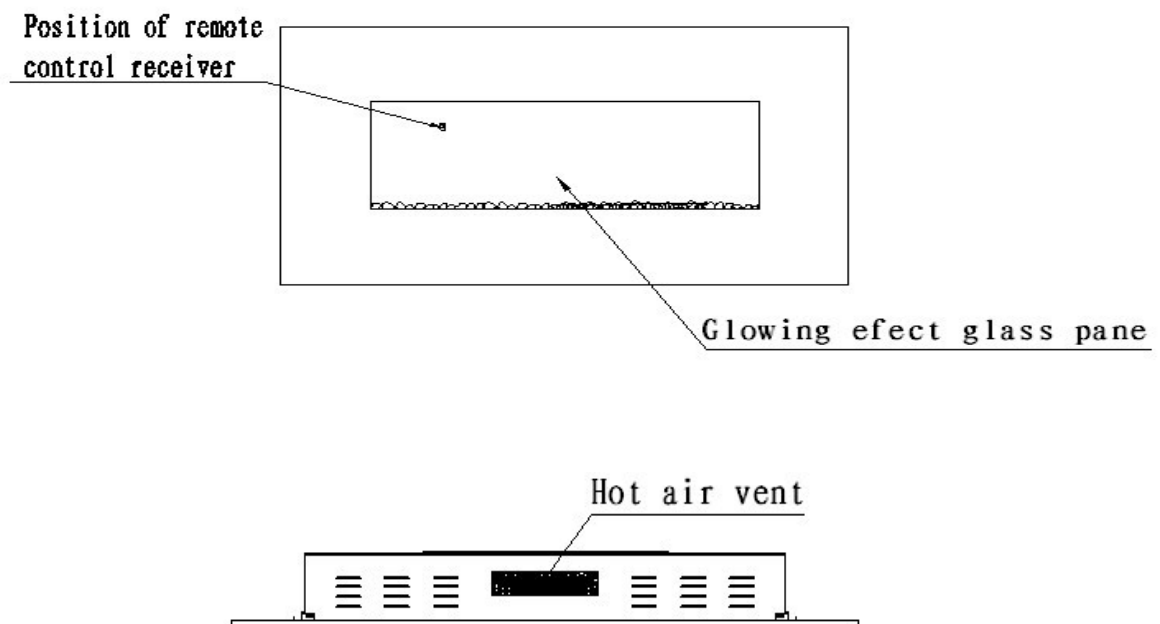
If the supply cord is damaged, it must be replaced by the manufacturer or its service agent or a similarly qualified person in order to avoid a hazard.

Never leave small children unattended near the appliance.

In case of malfunction, disconnect the plug immediately.

When not in use for a considerable amount of time, unplug the appliance.

Components should only be serviced by an approved electro technician.



## 【 Special characteristics of this heater 】

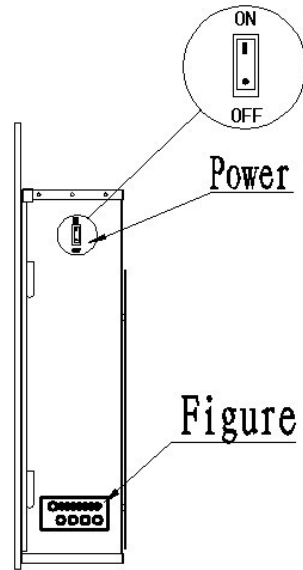
1. The smoldering glow of the flames can hardly be distinguished from that of a real fireplace.
2. Produces the effect of a hot current of air.
3. Operating with remote Control
4. Optional from the Log to the fire glass media

## 【 To switch on 】

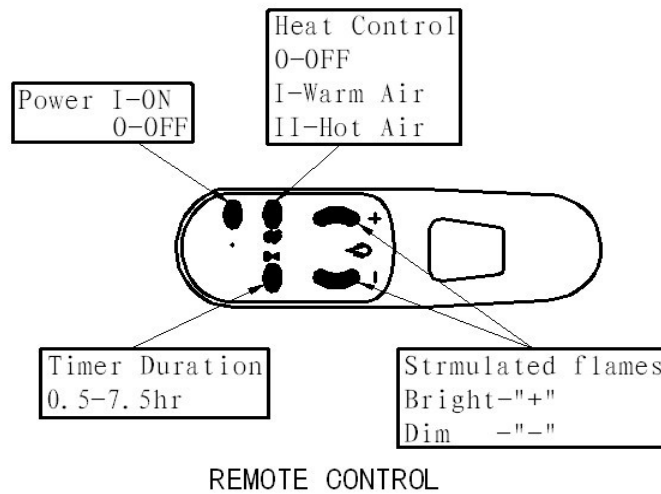
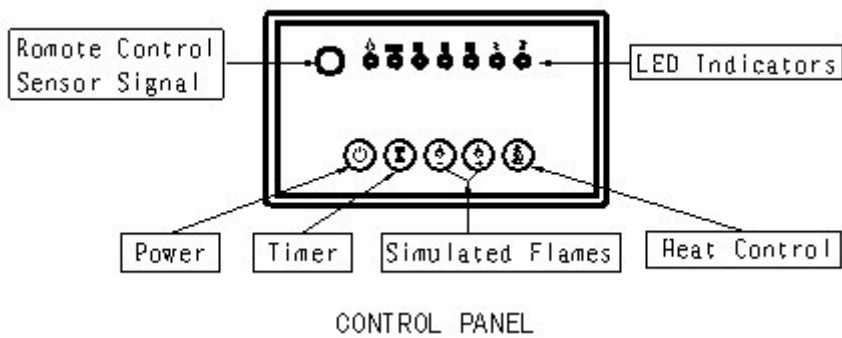
Plug in the appliance into the socket.

Turn on the Power switch

The Switch Panel is in the right side of the fireplace



## DIAGRAM OF THE REMOTE CONTROLLER



## Remote Control

**Power switch** Plug in power cord; the fireplace is now on standby mode. Press the power button once, the indicator lights up, Enjoy the view of the simulated charcoal lighting up and small flames in dancing tempo. Press the same power button again and the flames go off. The Fireplace is on standby mode again. Do not switch on fireplace when air outlets are blocked. Pressing air in 10 seconds.

**Heat Control** Press this heat button once and indicator lights up. Ten seconds after the mechanism is activated warm air of 750W will be produced through the air outlets at the bottom. Press the same button again and the indicator lights up. The air outlets will produce hot air of 1500W Press the same button a third time, and the mechanism stops functioning after blowing out the remaining air in 10seconds.

**Simulated flames** Press either the "+" or the "-" button, the indicator light will brighten up or dim the flames.

**Timer** This sets the timing for switching the fireplace off automatically. The timer's duration ranges from 0.5 to 7.5 hours. The lighting up shown on the LED indicator indicates the setting of the timer.

**Remote Control Device** It is operated by AAA (#7) batteries. Point it directly towards the fireplace and it functions within a distance of approx 3.5m. The functions are similar to that of the Control Panel.

## Cleaning the exterior of the appliance

Before cleaning the appliance, disconnect it from the socket and leave to cool.

You can clean the exterior of the heater with a soft, damp cloth.

Do not use cleaning or polishing products.

## Manufacturers guarantee

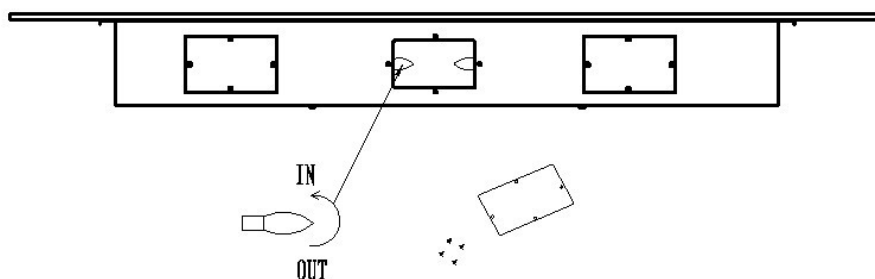
There is guarantee of one year. During this period, faulty components will be repaired or replaced free of charge, if the fault is due to a manufacturing defect.

In this case, consult the retailer where you have purchased the appliance.

(Below some more instructions for the approved electric technician who carries out maintenance or repairs to your heater):

Appliance comes with the following light bulbs:

**WM-50** five 40W light bulbs (max. 200W)





## 【 Replacing the bulbs 】

### WARNING: UNPLUG FIRST! THEN REPLACE BULB.

1. Lie down the machine, change the bulbs at the back covers
2. Loosen the both screws at the bulb cover and change the bulbs.

### CAUTION: sharp edges!

You can now replace faulty bulbs by identical ones with the same wattage.

For assembly, proceed in reverse order.

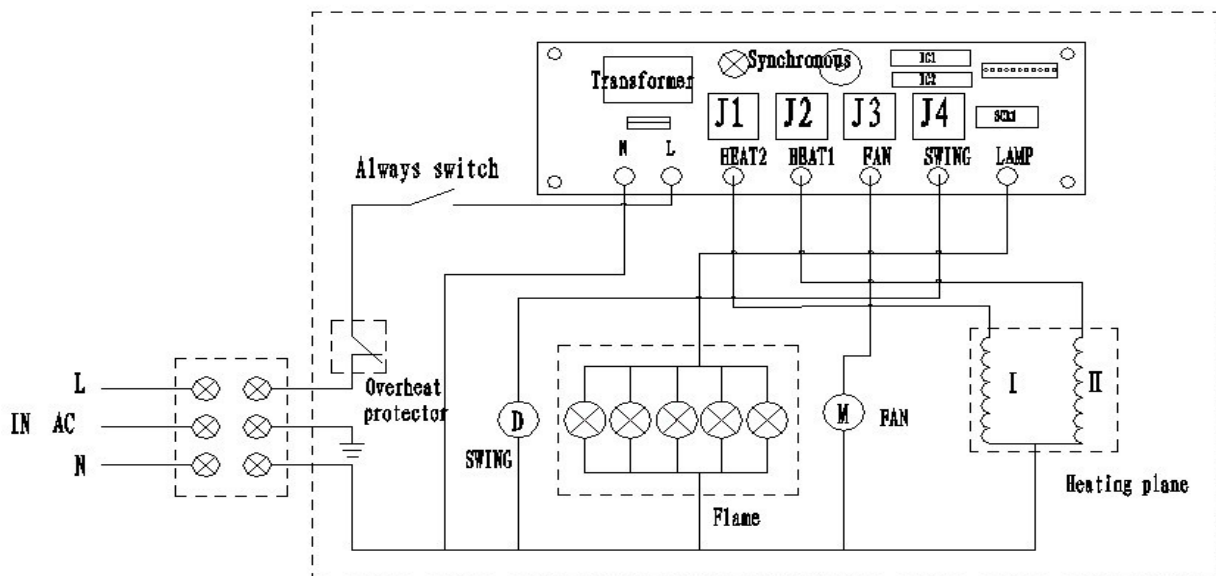
1. After installation, the power plug should be accessible.
2. If the power cord is damaged. It must be replaced by the manufacturer or its service agent or a similarly qualified person in order to avoid a hazard.
3. The heater must not be located immediately below a socket.
4. The appliance is not intended for use by young children or infirm persons. Young children should be supervised to ensure that they do not play with the appliance.
5. Do not use this heater in the immediate surroundings of a bath, a shower or a swimming pool.
6. In order to avoid overheating, do not cover the heater.

## 【 Technical data 】

Rated Voltage: 110-120~  
Rated Frequency: 60Hz  
Rated Power: 1400-1600W

### Electric Circuit

Remote diagram





Do not dispose of electrical appliances as unsorted municipal waste, use separate collection facilities. Contact your local government for information regarding the collection systems available. If electrical appliances are disposed of in landfills or dumps, hazardous substances can leak into the groundwater and get into the food chain, damaging your health and well-being. When replacing old appliances with new ones, the retailer is legally obligated to take back your old appliance for disposals at least free of charge.

## **WARRANTY**

Amantii Imports Corp. (“Amantii”) warrants that your newly purchased Amantii electric fireplace is free from manufacturing and material defects for a period of one (1) year from the date of the first purchase, subject to the conditions and limitations contained below.

### ***Warranty Application & Exclusions***

This limited warranty applies to your newly purchased Amantii electric fireplace; the limited warranty’s application is limited to purchases made in any province of Canada or in any of the 52 States of the United States of America, including the District of Columbia. Only the original purchaser of the product is eligible for coverage under this limited warranty; the warranty is not transferable.

Light bulbs are not covered by this limited warranty and are the sole responsibility of the owner/purchaser.

### ***Warranty Coverage and Term***

Products covered by this limited warranty have been tested and inspected prior to shipment and, subject to the provisions of this warranty, Amantii warrants such products to be free from defects in material and workmanship for a period of one (1) year from the date of the first purchase of such products.

The limited one (1) year warranty period for products also applies to any implied warranties that may exist under applicable law. Some jurisdictions do not allow limitations on how long an implied warranty lasts, so the above limitation may not apply to the purchaser.

All other warranties—expressed or implied—with respect to the product, its components and accessories or any obligation/liabilities on the part of Amantii are hereby expressly excluded.

### ***Limitations to Coverage Under Limited Warranty***

This limited warranty does not apply to products that have been repaired, except by Amantii or its authorized service representatives, or otherwise altered. This limited warranty further does not apply to defects resulting from misuse, abuse, accident, neglect, incorrect installation, improper maintenance or handling, or operation with an incorrect power source.

Products made by other manufacturers, sold with the product or thereafter, are not covered by this limited warranty. The use of unauthorized components will render this warranty null and void.

### ***Service Under Limited Warranty***

Defects must be brought to the attention of Amantii Technical Service by contacting Amantii at (1-888-406-8764), or at 1503 – 7088 18th Avenue, Burnaby, British Columbia, Canada, V3N 0A2.

Please have your proof of purchase, catalogue/model and serial numbers available when calling; any and all service under the limited warranty requires a proof of purchase of the product.

### ***Defects***

Should a product or part covered by this limited warranty be proven to be defective, in material or workmanship, and during the one (1) year limited warranty period, Amantii will replace such defective product or part without charge. If Amantii is unable to replace such product, or if replacement is not commercially practicable or cannot be timely done, in its sole discretion Amantii may, in lieu of replacement, choose to refund the purchase price for such product or part.

### ***Limitations***

In no event will Amantii, including without limitation any of its directors, officers, shareholders, employees, consultants, agents, heirs, executors, administrators and assigns, be liable to the purchaser or any third party, whether in contract, in tort, or on any other basis for any indirect, special, punitive, exemplary, consequential, or incidental loss, cost or damage arising out of or in connection with the sale, maintenance, use or inability to use the product, even if Amantii, including without limitation any of its directors, officers, shareholders, employees, consultants, agents, heirs, executors, administrators and assigns, have been advised of the possibility of such losses, costs or damages, or if such losses, costs or damages are foreseeable. In no event will Amantii, including without limitation any of its directors, officers, shareholders, employees, consultants, agents, heirs, executors, administrators and assigns, be liable for any direct losses, costs or damages that exceed the purchase price of the product.

Some jurisdictions do not allow the exclusion or limitation of incidental or consequential damages, so the above limitation or exclusion may not apply to the purchaser.

### ***Application of Provincial and State Law***

This limited warranty gives you specific legal rights, and you may also have other rights which vary from jurisdiction to jurisdiction. The provisions of the United Nations Convention on Contracts for the Sale of Goods shall not apply to this limited warranty or the sale of products covered by this limited warranty.

### ***General***

Amantii reserves the right to make changes at any time without notice, in design, material, specifications, prices and the right to discontinue styles and products.