

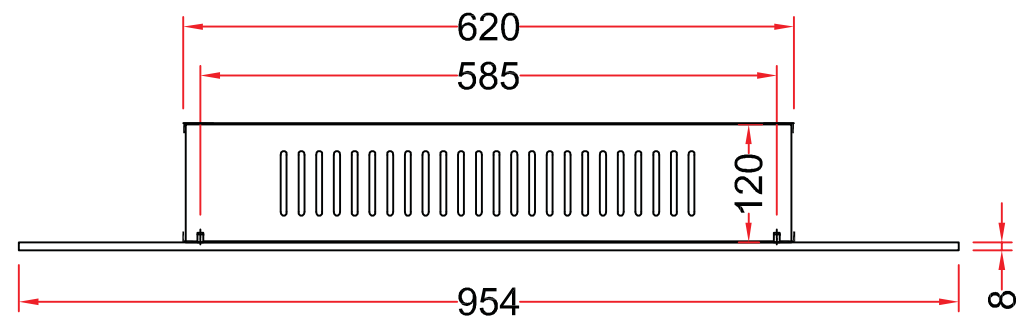
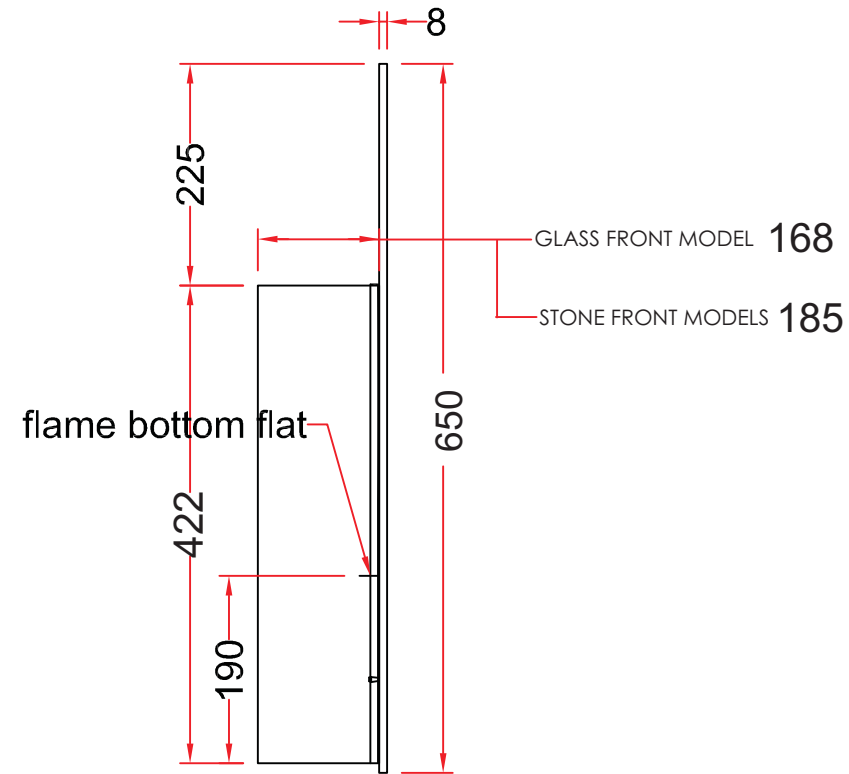
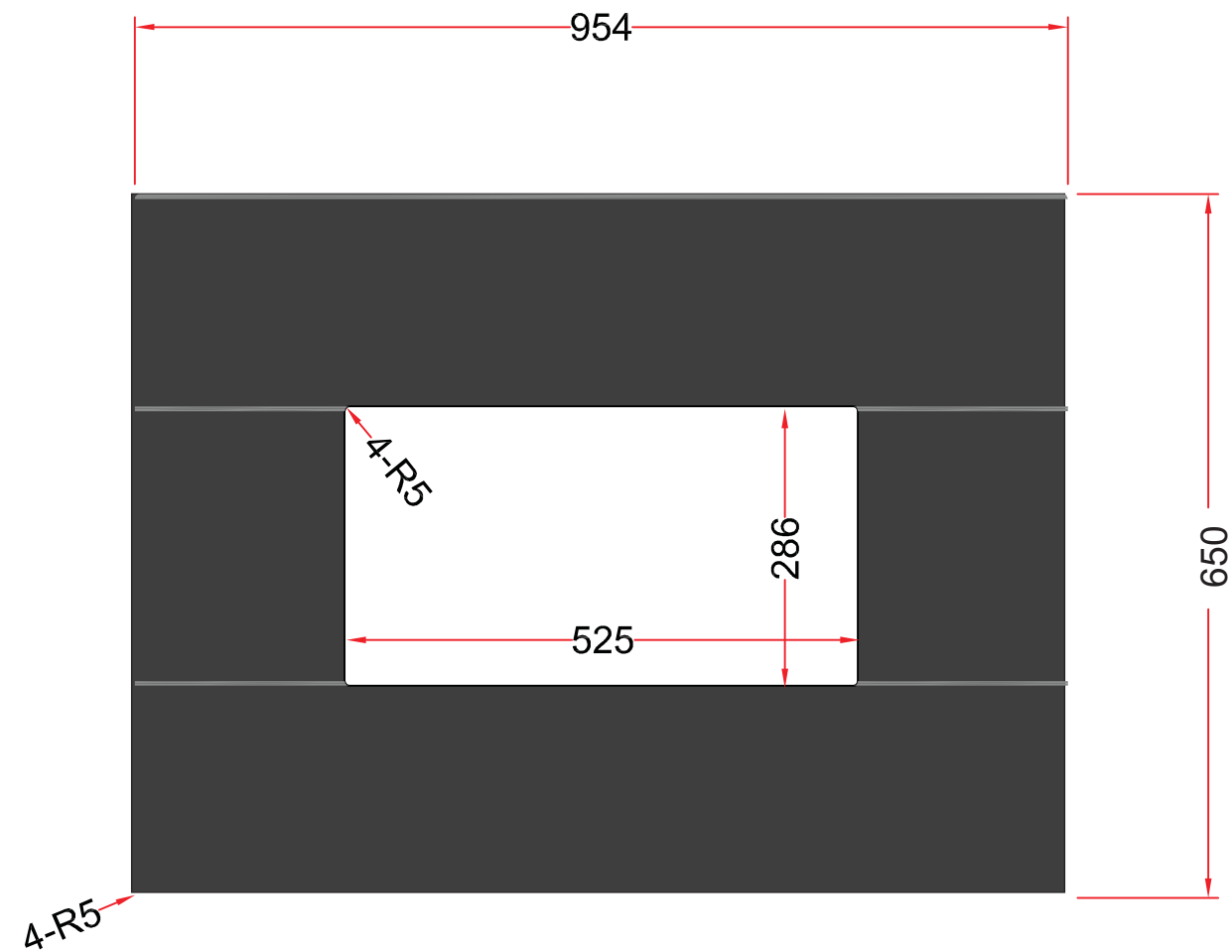
Unit can be built into the wall with only 2" protruding into the room  
 Stone face models have a 2 1/2 " return on all four sides

TECHNICAL SPECIFICATIONS	
VOLTS	12
AMPS	.2
WATTS	10.5
LED LIGHTS	QUANTITY 3 LED Bulbs
	WATTS 5 watts
	TOTAL WATTS 15 watts
ROTOR MOTOR	1 at 5 watts
HEIGHT, WIDTH, DEPTH	
	GLASS FRONT MODEL 16 5/8 x 24 1/2 x 6 5/8
	STONE FRONT MODELS 16 5/8 x 24 1/2 x 7 3/8
GLASS VIEWING OPENING	20 3/4 x 11 1/4
GLASS SIZE	38 w x 25 5/8
SHIPPING SIZE	
	GLASS FRONT MODEL 39 3/4 x 9 3/4 x 30
	STONE FRONT MODELS 42 1/2 x 9 3/4 x 31 1/2
SHIPPING WEIGHT	
	GLASS FRONT MODEL 80 lbs
	STONE FRONT MODELS 96 lbs
PLUG LOCATION	Right Side
CORD LENGTH	76"



SERIES	MODEL	REV
BLT-IN	BLT-IN-38-BLKGLASS BLT-IN-38-BLKGRANITE BLT-IN-38-TRAVERTINE BLT-IN-38-GREYLIMESTONE	1
SCALE 1" = 1'-0"	DATE: 05/02/11	SHEET 1 OF 1





Unit can be built into the wall with only 5 cm protruding into the room  
 Stone face models have a 6 1/2 cm return on all four sides

TECHNICAL SPECIFICATIONS		
VOLTS	12	
AMPS	.2	
WATTS	10.5	
LED LIGHTS	QUANTITY	3 LED Bulbs
	WATTS	5 watts
	TOTAL WATTS	15 watts
ROTOR MOTOR	1 at 5 watts	
HEIGHT, WIDTH, DEPTH	GLASS FRONT MODEL	42.2 h x 62 w x 16.8 d
	STONE FRONT MODELS	42.2 h x 62 w x 18.5 d
GLASS VIEWING OPENING	52.55 x 28.57 cm	
GLASS SIZE	96.5 w x 65 h	
SHIPPING SIZE	GLASS FRONT MODEL	99.7 x 24.8 x 76.2 cm
	STONE FRONT MODELS	108 x 24.5 x 80 cm
SHIPPING WEIGHT	GLASS FRONT MODEL	36.5 kg
	STONE FRONT MODELS	44 kg
PLUG LOCATION	Right Side	
CORD LENGTH	193 cm	



SERIES	MODEL	REV
BLT-IN	BLT-IN-38-BLKGLASS BLT-IN-38-BLKGRANITE BLT-IN-38-TRAVERTINE BLT-IN-38-GREYLIMESTONE	1
SCALE 1:12	DATE: 05/02/11	SHEET 1 OF 1

