

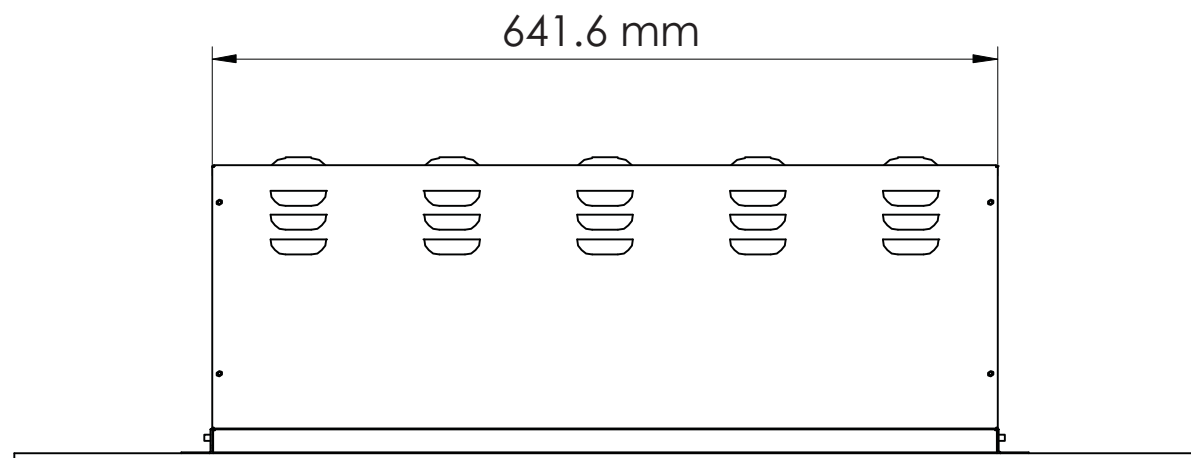
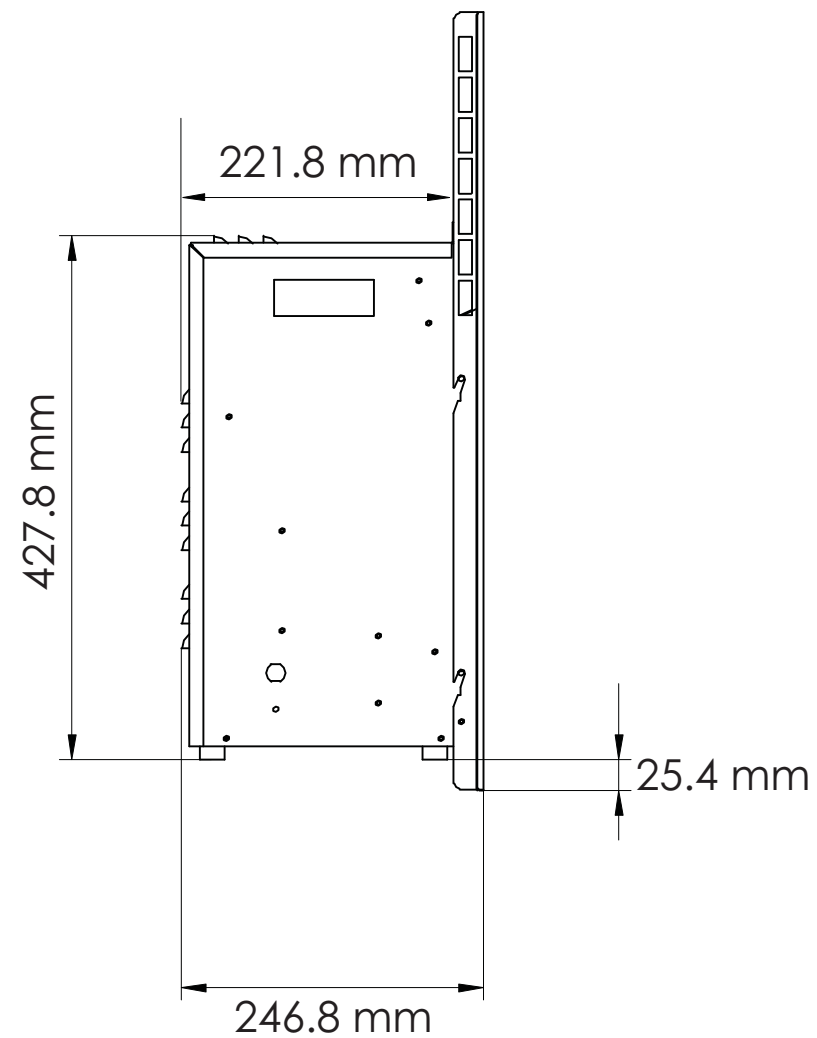
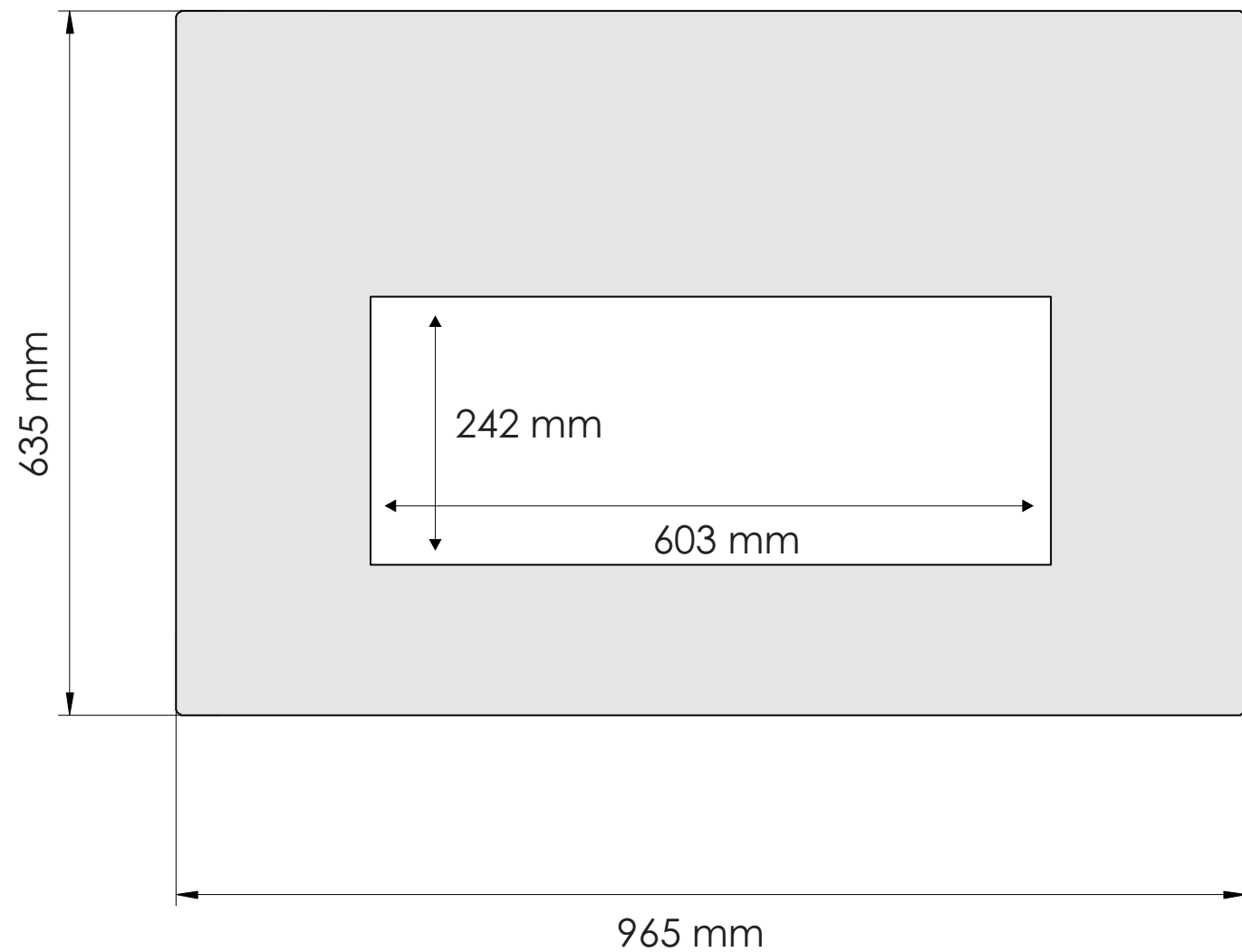
Minimum opening size required 17 1/8" H x 25 5/8" W

TECHNICAL SPECIFICATIONS

VOLTS		120
AMPS		12.5
WATTS		1500
HEATER	HIGH	1500 watts
	LOW	750 watts
NO HEATER		22 watts
LAMPS	QUANTITY	LED
	WATTS	
	TOTAL WATTS	22 watts
ROTOR MOTOR		1 at 5 watts
HEIGHT, WIDTH, DEPTH		16 3/4 x 25 1/4 x 8 1/2
GLASS VIEWING OPENING		23 3/4 x 9 1/2
GLASS SIZE		38 x 25
SHIPPING SIZE		27 1/4 x 41 3/8 x 12 1/4
SHIPPING WEIGHT		62 lbs
GLASS FRONT	UNIT	
		Included
PLUG LOCATION		Left Side
CORD LENGTH		76"
APPROX. HEATING AREA		400 sq ft



SERIES INSERT	MODEL INSERT-26-3825		REV 1
SCALE 1" = 1'-0"	DATE: 10/01/2012		SHEET 1 OF 1



Minimum opening size required 43.5 cm H x 65 cm W

TECHNICAL SPECIFICATIONS	
VOLTS	120
AMPS	12.5
WATTS	1500
HEATER	HIGH 1500 watts LOW 750 watts
NO HEATER	22 watts
LAMPS	QUANTITY LED WATTS TOTAL WATTS 22 watts
ROTOR MOTOR	1 at 5 watts
HEIGHT, WIDTH, DEPTH	42.8 x 64.2 x 22.2 cm
GLASS VIEWING OPENING	60.3 x 24.2 cm
GLASS SIZE	96.5 x 63.5 cm
SHIPPING SIZE	69.1 x 105 x 31
SHIPPING WEIGHT	28 kg
	UNIT
	GLASS FRONT Included
PLUG LOCATION	Left Side
CORD LENGTH	193 cm
APPROX. HEATING AREA	37 sqm

Amantii

SERIES INSERT	MODEL INSERT-26-3825		REV 1
SCALE 1:12	DATE: 10/01/2012		SHEET 1 OF 1