
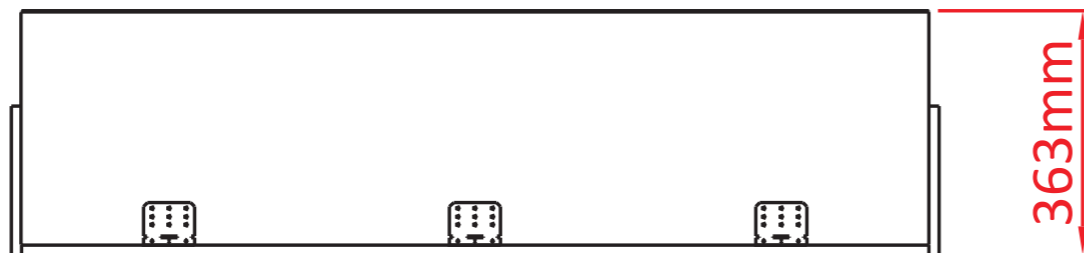
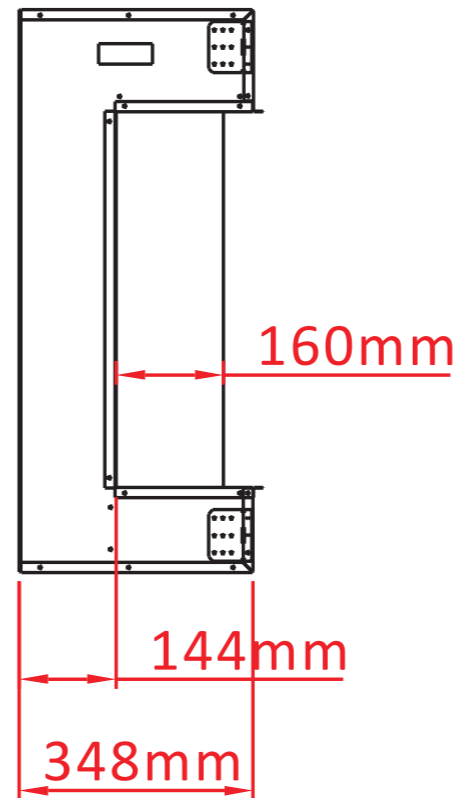
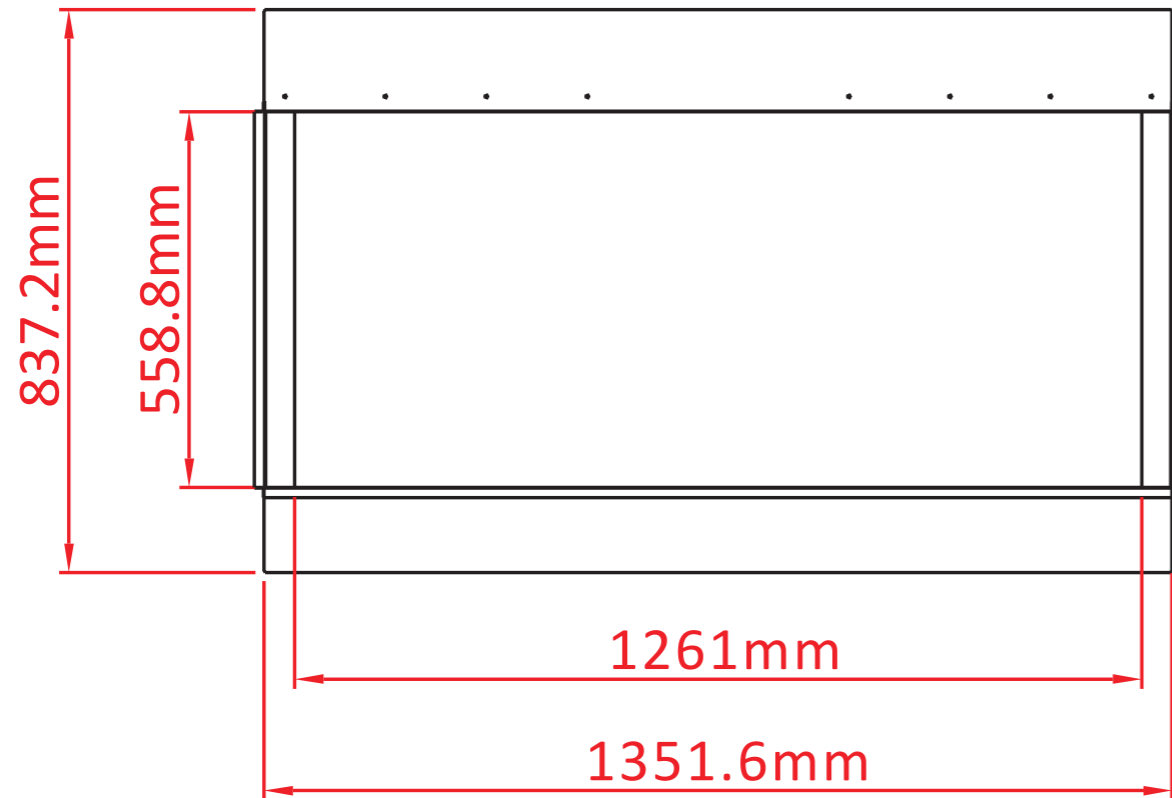


TECHNICAL SPECIFICATIONS

VOLTS	120	
AMPS	12.5	
WATTS	1500	
HEATER	HIGH	1500 watts
	LOW	750 watts
NO HEATER	19 watts	
LAMPS	TYPE	LED
	WATTS	
	TOTAL WATTS	48 watts
ROTOR MOTOR	2 at 5 watts	
HEIGHT,WIDTH,DEPTH	33" x 53 1/4" x 13 3/4"	
GLASS VIEWING OPENING	22" X 49 5/8"	
GLASS SIZE	22" X 49 5/8"	
SHIPPING SIZE	35 1/4" x 57 1/2" x 15 5/8"	
SHIPPING WEIGHT	UNIT	147.7 lbs
	GLASS FRONT	129.6 lbs
PLUG LOCATION	Left Side	
CORD LENGTH	76"	
APPROX. HEATING AREA	400 sq ft	




SERIES	MODEL		REV
TRU VIEW	50-TRV-XL-XT		1
SCALE 1"=1'-0"	DATE: 9/19/2019	SHEET 1 OF 1	



TECHNICAL SPECIFICATIONS

VOLTS		120
AMPS		12.5
WATTS		1500
HEATER	HIGH	1500 watts
	LOW	750 watts
NO HEATER		19 watts
LAMPS	TYPE	LED
	WATTS	
	TOTAL WATTS	48 watts
ROTOR MOTOR		2 at 5 watts
HEIGHT,WIDTH,DEPTH		83.7 x 135.2 x 34.8 cm
GLASS VIEWING OPENING		55.9 X 126.1 cm
GLASS SIZE		55.9 X 126.1 cm
SHIPPING SIZE		89.6 x 146.2 x 39.8 cm
SHIPPING WEIGHT		67 Kgs
	UNIT	58.8 Kgs
	GLASS FRONT	Included
PLUG LOCATION		Left Side
CORD LENGTH		193 cm
APPROX. HEATING AREA		37 sqm

Amantii

SERIES	MODEL		REV
TRU VIEW	50-TRV-XL-XT		1
SCALE 1:12	DATE: 9/19/2019	SHEET 1 OF 1	