
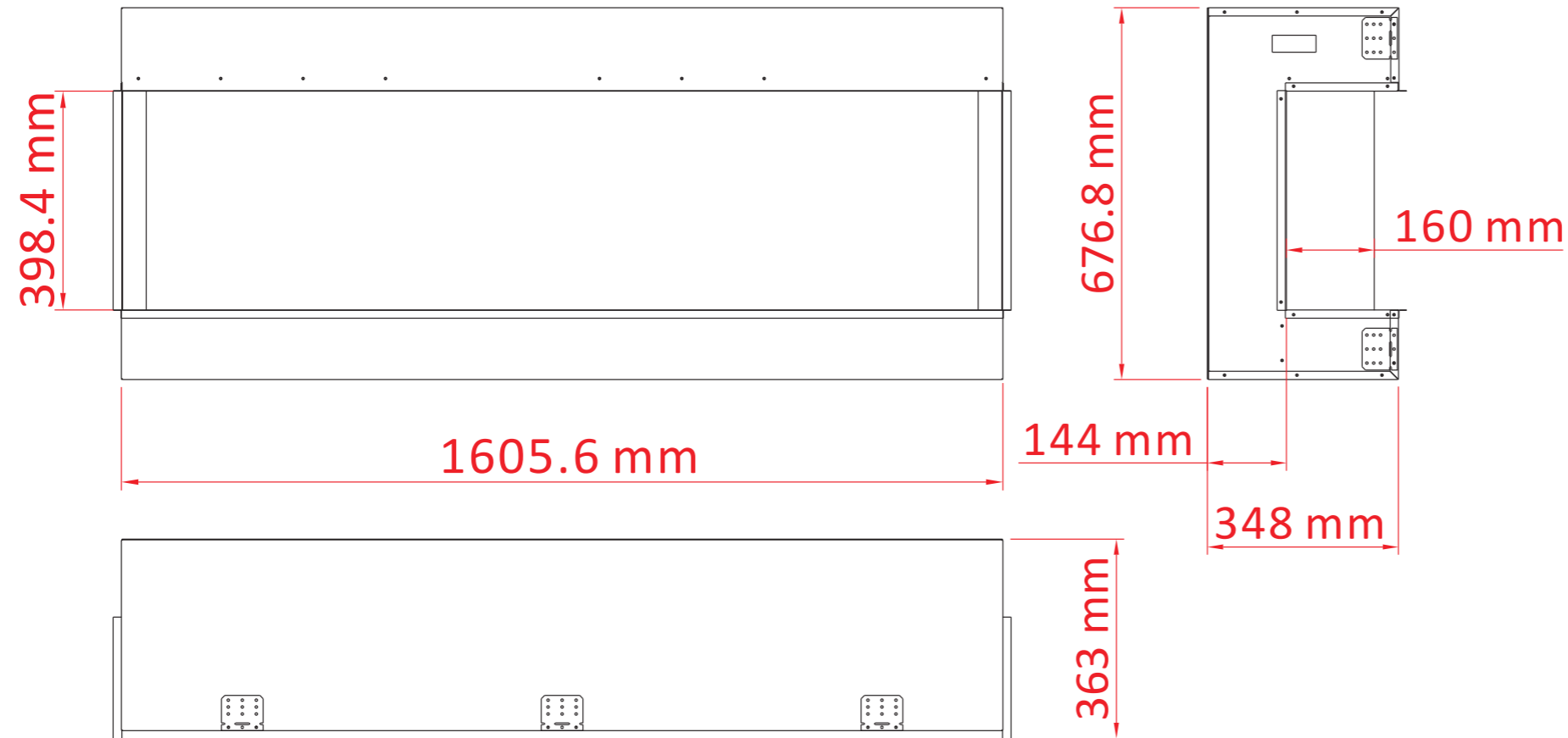


TECHNICAL SPECIFICATIONS

VOLTS	120	
AMPS	12.5	
WATTS	1465	
HEATER	HIGH	1465 watts
	LOW	750 watts
NO HEATER	19 watts	
LAMPS	QUANTITY	LED
	WATTS	
	TOTAL WATTS	33 watts
ROTOR MOTOR	2 at 5 watts	
HEIGHT,WIDTH,DEPTH	26 5/8" x 63 1/4" x 14 1/4"	
GLASS VIEWING OPENING	15 5/8" X 59 5/8"	
GLASS SIZE	15 5/8" X 59 5/8"	
SHIPPING SIZE	31 7/8" x 70 3/8" x 16 1/8"	
SHIPPING WEIGHT	UNIT	161 lbs
		127 lbs
	GLASS FRONT	Included
PLUG LOCATION	Left Side	
CORD LENGTH	70 7/8"	
APPROX. HEATING AREA	400 sq ft	




SERIES	MODEL		REV
TRU VIEW	60-TRU-VIEW-XL		1
SCALE 1"=1'-0"	DATE: 9/1/2016	SHEET 1 OF 1	



TECHNICAL SPECIFICATIONS

VOLTS	120	
AMPS	12.5	
WATTS	1465	
HEATER	HIGH	1465 watts
	LOW	750 watts
NO HEATER	19 watts	
LAMPS	QUANTITY	LED
	WATTS	
	TOTAL WATTS	33 watts
ROTOR MOTOR	2 at 5 watts	
HEIGHT,WIDTH,DEPTH	67.7 x 1605.6 x 34.8 cm	
GLASS VIEWING OPENING	39.8 X 151.5 cm	
GLASS SIZE	39.8 X 151.5 cm	
SHIPPING SIZE	81 x 178.9 x 41 cm	
SHIPPING WEIGHT	73 Kgs	
	UNIT	58 Kgs
GLASS FRONT	Included	
PLUG LOCATION	Left Side	
CORD LENGTH	193 cm	
APPROX. HEATING AREA	37 sqm	

Amantii

SERIES	MODEL		REV
TRU VIEW	60-TRU-VIEW-XL		1
SCALE 1:12	DATE: 9/1/2016	SHEET 1 OF 1	