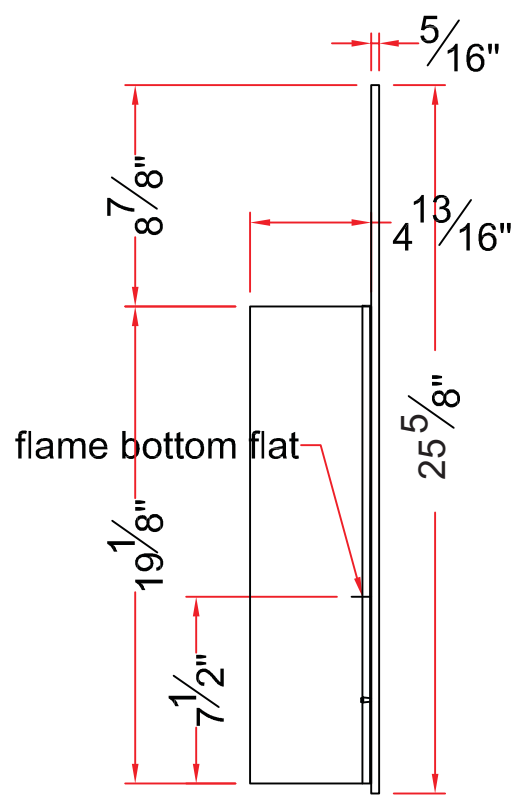
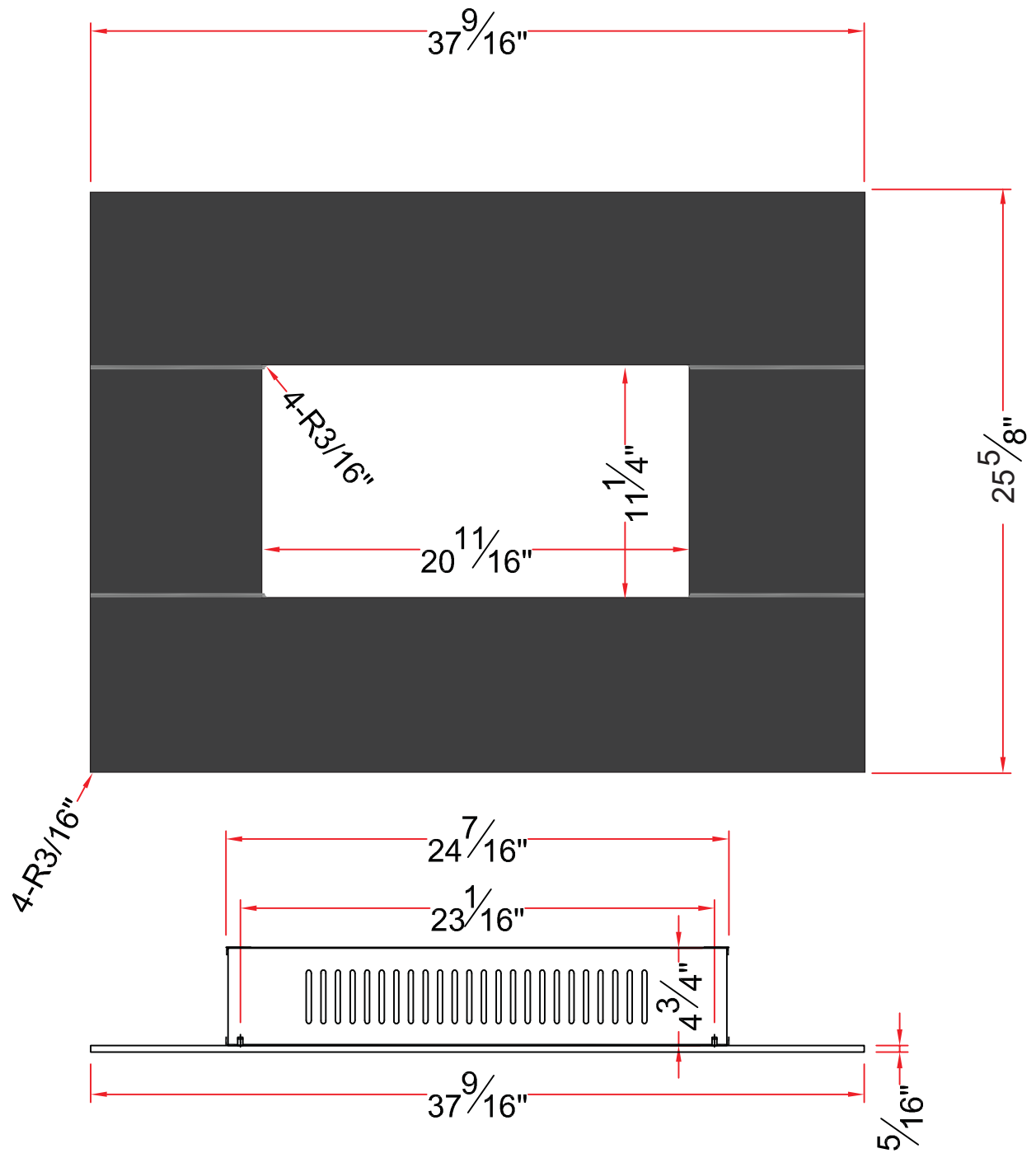



TECHNICAL SPECIFICATIONS

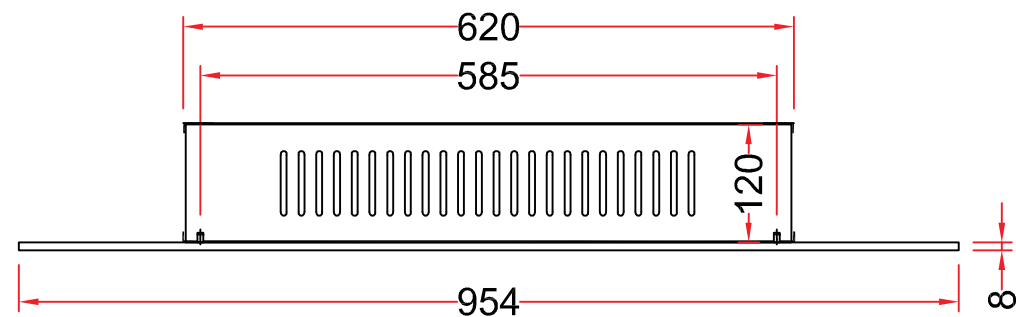
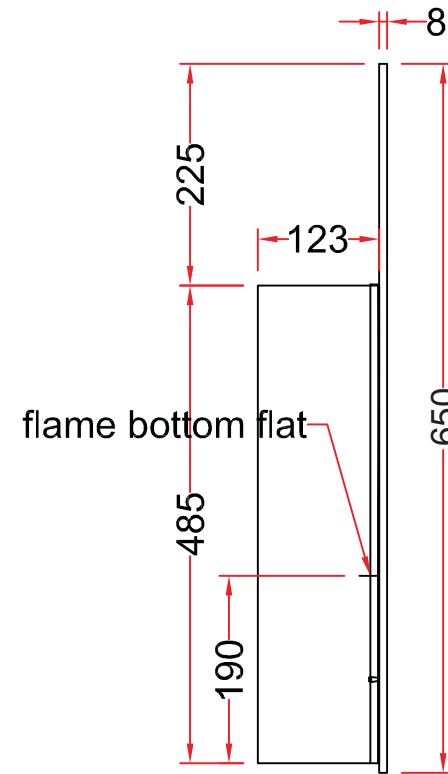
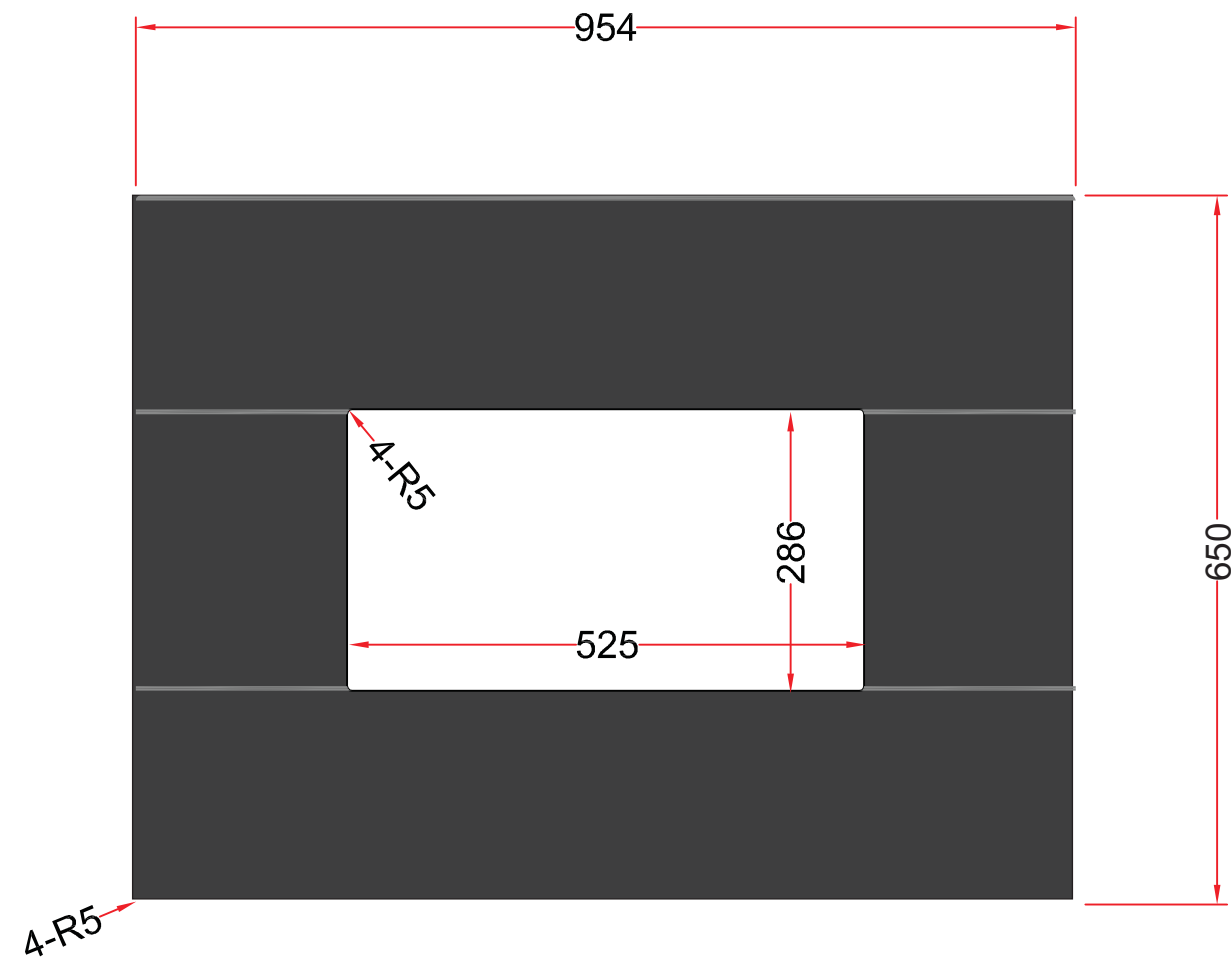
VOLTS	120	
AMPS	13.5	
WATTS	1625	
HEATER	HIGH	1500 watts
	LOW	750 watts
NO HEATER	125 watts	
LAMPS	QUANTITY	3 Candelabra
	WATTS	40 watts
	TOTAL WATTS	120 watts
ROTOR MOTOR	1 at 5 watts	
HEIGHT, WIDTH, DEPTH	19 1/10 x 24 7/16 x 4 4/5	
GLASS VIEWING OPENING	20 11/16 x 11 1/4	
GLASS SIZE	38 w x 25 5/8 h	
SHIPPING SIZE		
	GLASS FRONT MODEL	39 3/4 x 7 1/2 x 27 1/4
	STONE FRONT MODELS	42 1/2 x 9 3/4 x 31 1/2
SHIPPING WEIGHT		
	GLASS FRONT MODEL	68.5 lbs
	STONE FRONT MODELS	92.75 lbs
PLUG LOCATION	Right Side	
CORD LENGTH	76"	
APPROX. HEATING AREA	400 sq ft	



Stone face models have a 2 1/2 " return on all four sides




SERIES	MODEL		REV
WM	WM-38-BLKGLASS WM-38-BLKGRANITE WM-38-TRAVERTINE WM-38-GREYLIMESTONE		1
SCALE 1" = 1'-0"	DATE: 04/02/11	SHEET 1 OF 1	



Stone face models have a 6 1/2 cm return on all four sides

TECHNICAL SPECIFICATIONS	
VOLTS	120
AMPS	13.5
WATTS	1625
HEATER	HIGH 1500 watts
	LOW 750 watts
NO HEATER	125 watts
LAMPS	QUANTITY 3 Candelabra
	WATTS 40 watts
	TOTAL WATTS 120 watts
ROTOR MOTOR	1 at 5 watts
HEIGHT, WIDTH, DEPTH	48.5 h x 62 w x 12.3 d
GLASS VIEWING OPENING	52.55 x 28.57 cm
GLASS SIZE	96.5 w x 65 h
SHIPPING SIZE	GLASS FRONT MODEL 101 x 19 x 69 cm
	STONE FRONT MODELS 108 x 24.5 x 80 cm
SHIPPING WEIGHT	GLASS FRONT MODEL 31 kg
	STONE FRONT MODELS 42 kg
PLUG LOCATION	Right Side
CORD LENGTH	193 cm
APPROX. HEATING AREA	37 sqm



SERIES	MODEL	REV
WM	WM-38-BLKGLASS WM-38-BLKGRANITE WM-38-TRAVERTINE WM-38-GREYLIMESTONE	1
SCALE 1:12	DATE: 04/02/11	SHEET 1 OF 1

