
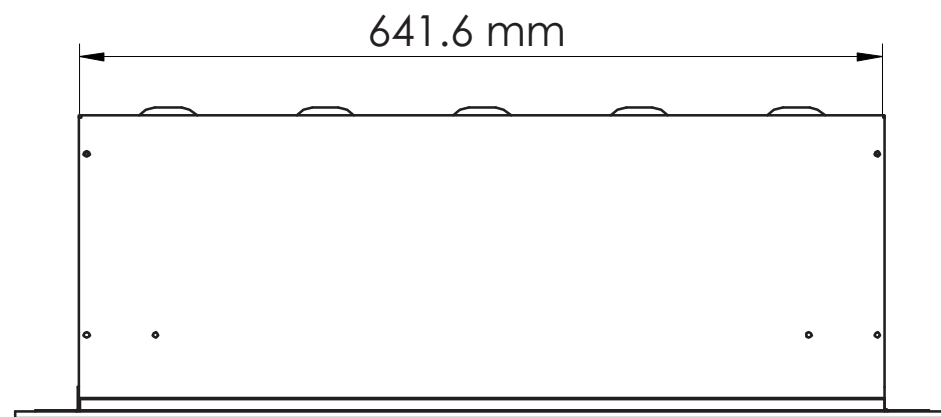
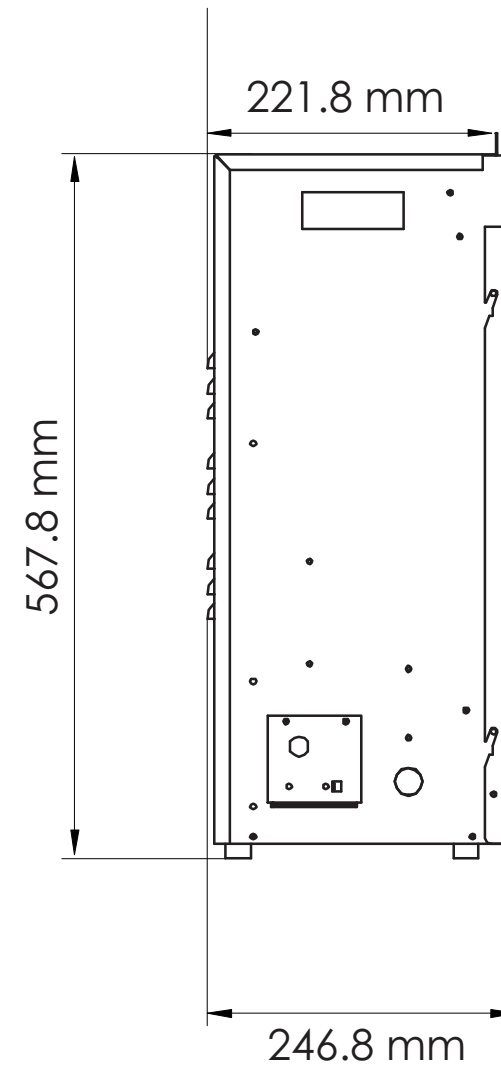
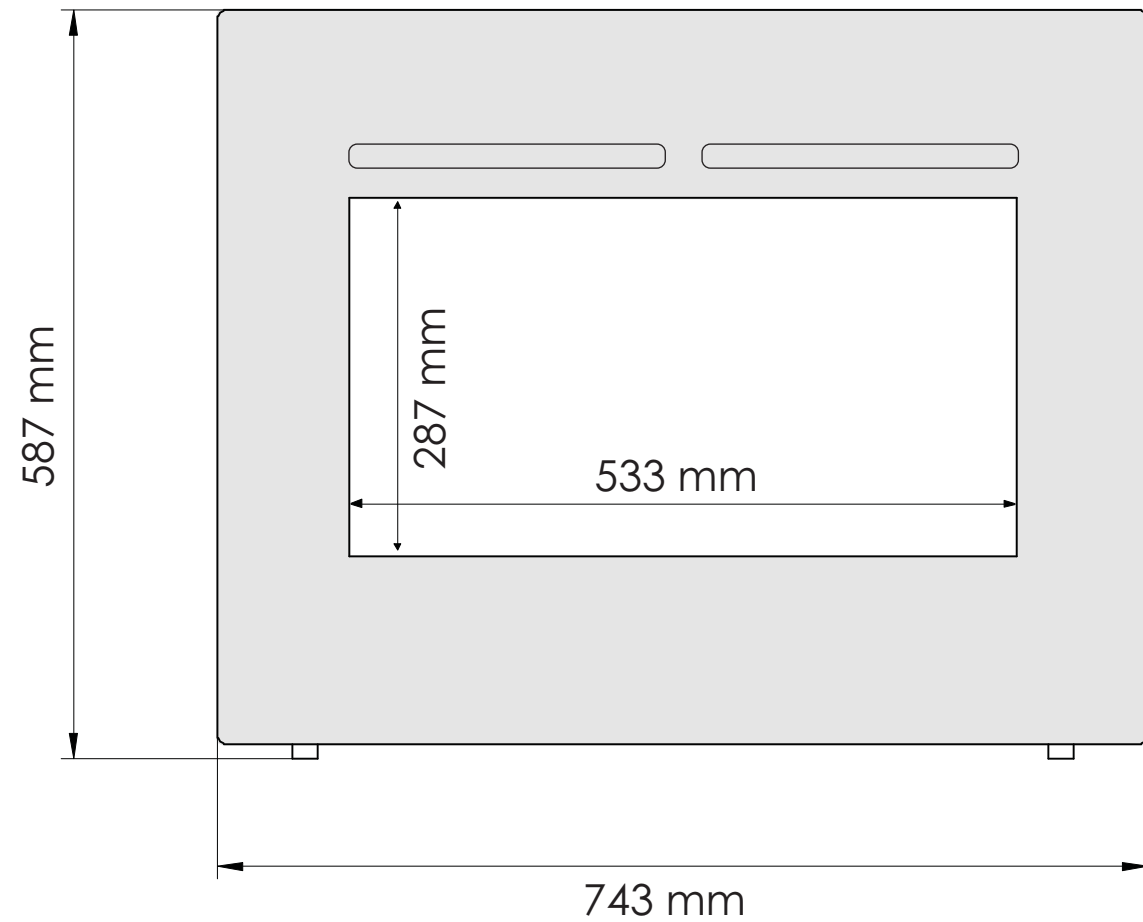


TECHNICAL SPECIFICATIONS

VOLTS		120
AMPS		12.5
WATTS		1500
HEATER	HIGH	1500 watts
	LOW	750 watts
NO HEATER		22 watts
LAMPS	QUANTITY	LED
	WATTS	
	TOTAL WATTS	22 watts
ROTOR MOTOR		1 at 5 watts
HEIGHT, WIDTH, DEPTH		22 1/2 x 25 1/2 x 8 1/2
GLASS VIEWING OPENING		21 x 11 3/8
GLASS SIZE		29 1/4 x 23
SHIPPING SIZE		25 1/4 x 32 3/4 x 12 1/4
SHIPPING WEIGHT		55 lbs
	UNIT	
	GLASS FRONT	Included
PLUG LOCATION		Left Side
CORD LENGTH		76"
APPROX. HEATING AREA		400 sq ft


Amantii

SERIES	MODEL		REV
ZERO CLEARANCE	ZECL-26-2923-FLUSHMT		1
SCALE 1" = 1'-0"	DATE: 6/1/2013	SHEET 1 OF 1	



TECHNICAL SPECIFICATIONS	
VOLTS	120
AMPS	12.5
WATTS	1500
HEATER	HIGH 1500 watts LOW 750 watts
NO HEATER	22 watts
LAMPS	QUANTITY LED WATTS TOTAL WATTS 22 watts
ROTOR MOTOR	1 at 5 watts
HEIGHT, WIDTH, DEPTH	56.8 x 64.2 x 22.2 cm
GLASS VIEWING OPENING	53.3 x 28.7 cm
GLASS SIZE	74.3 x 58.7 cm
SHIPPING SIZE	64.1 x 83 x 31 cm
SHIPPING WEIGHT	25 kg
	UNIT
GLASS FRONT	Included
PLUG LOCATION	Left Side
CORD LENGTH	193 cm
APPROX. HEATING AREA	37 sqm

Amantii

SERIES ZERO CLEARANCE	MODEL ZECL-26-2923-FLUSHMT		REV 1
SCALE 1:12	DATE: 6/1/2013	SHEET 1 OF 1	