



*Amantii*  
ELECTRIC FIREPLACES

Superior construction • State of the art flame • Easy to install

**SIERRA**  **FLAME**

TRD LUMINA SHOWN WITH MD OAK LOG SET AND ARCH TRIM



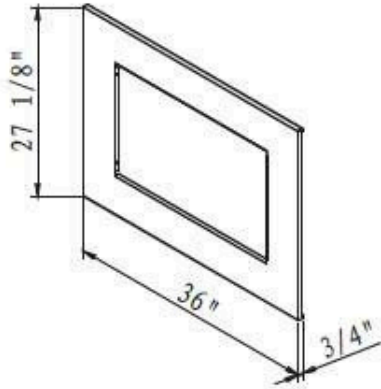
TRD Lumina  
TRD Bespoke  
TRD Xtraslim  
TRD Insert



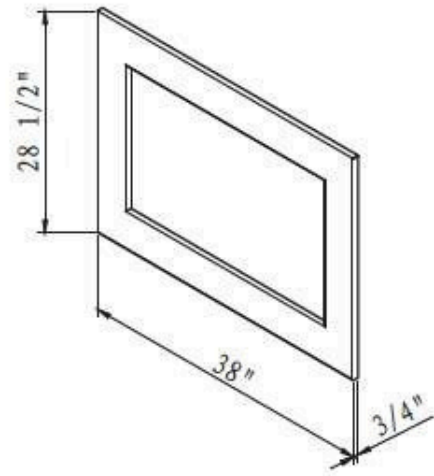
TRD SERIES

## TECH SPECIFICATIONS

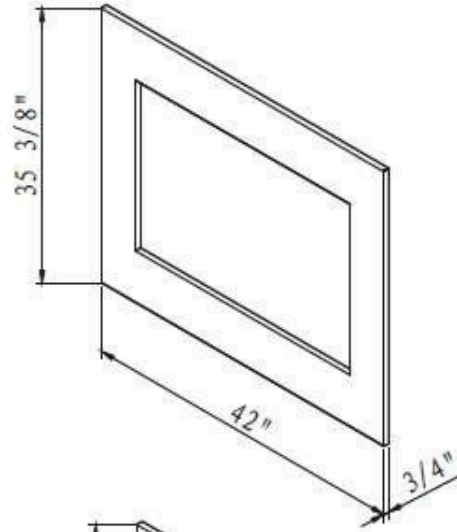
TRD-26 Smart



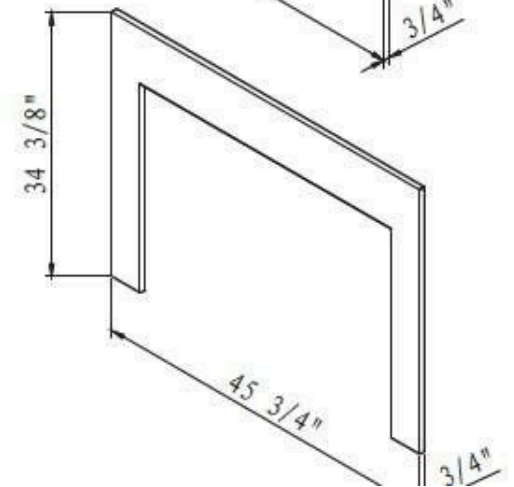
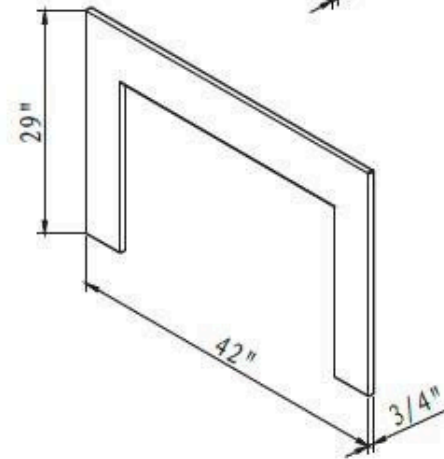
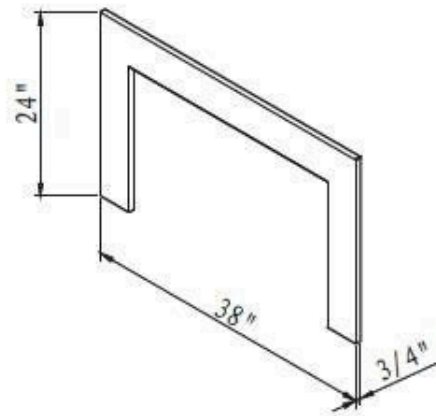
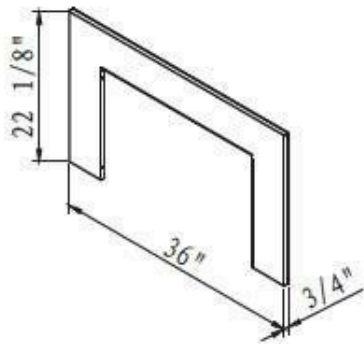
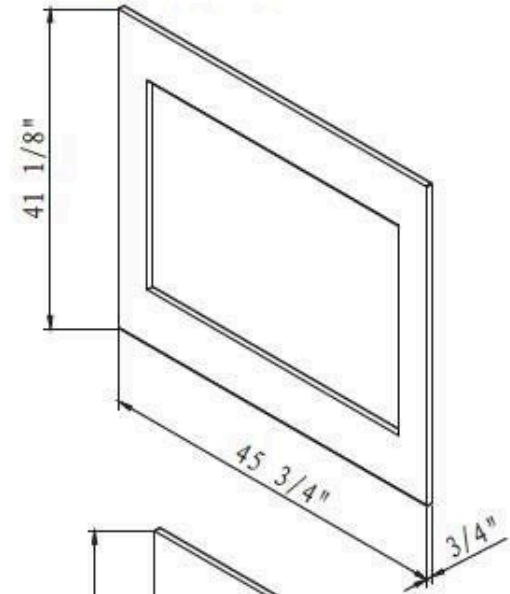
TRD-30 Smart

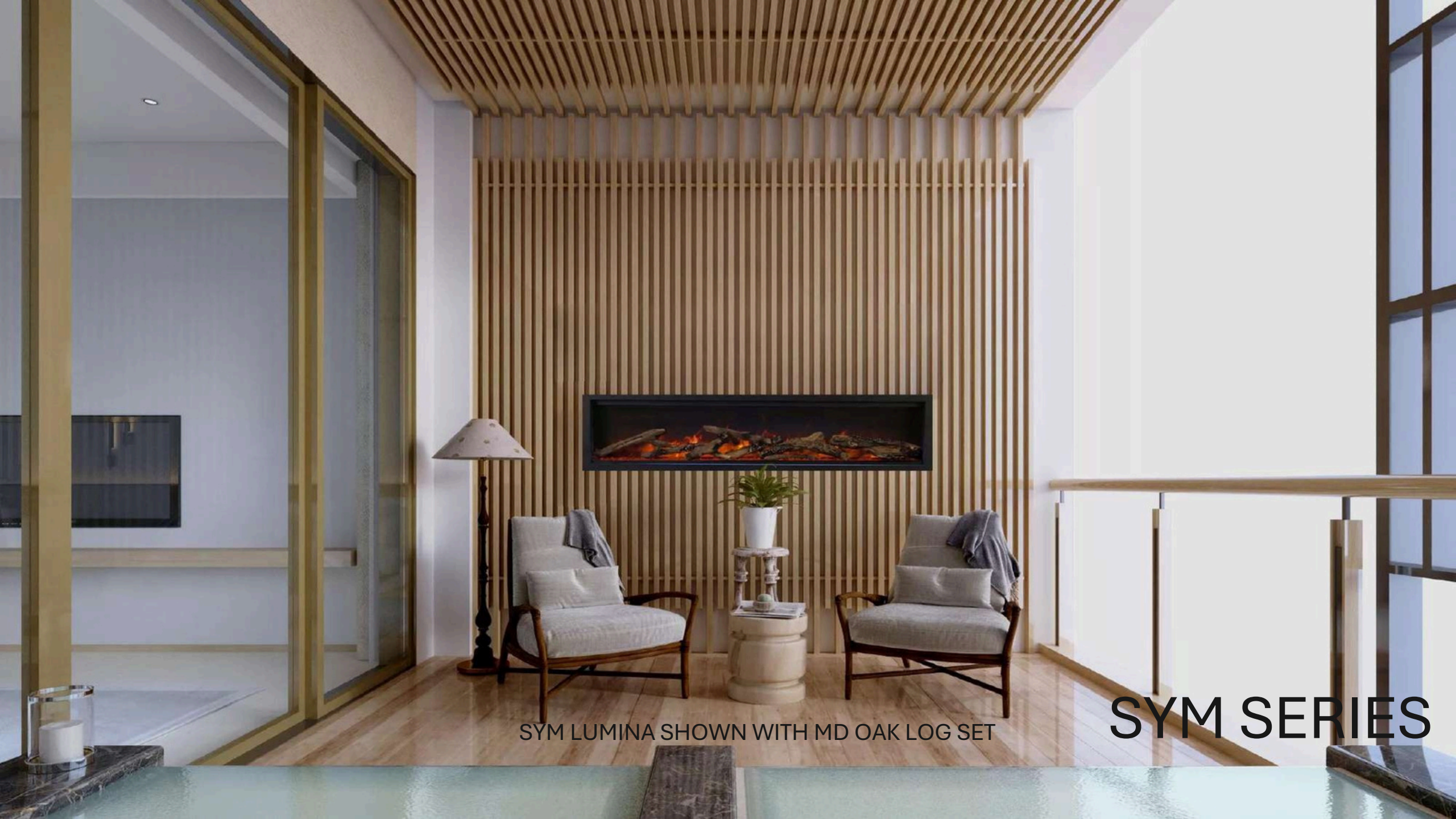


TRD-33 Smart



TRD-38 Smart





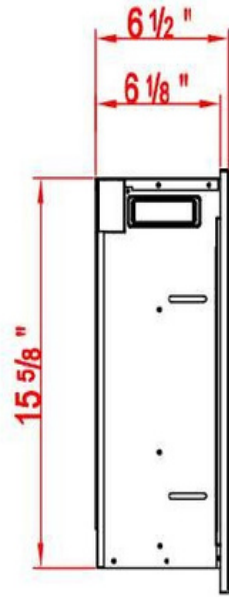
SYM LUMINA SHOWN WITH MD OAK LOG SET

**SYM SERIES**

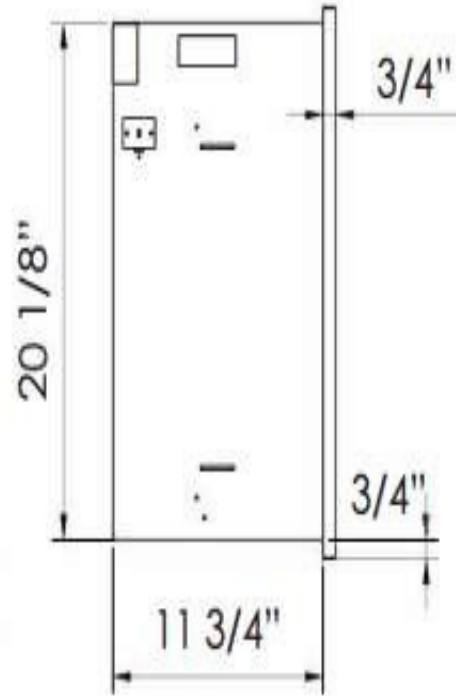
SYMMETRY Lumina  
SYMMETRY XT  
SYM-BESPOKE  
SYM-XT-BESPOKE



SYM SERIES



Symmetry Lumina  
Symmetry Bespoke



Symmetry XT  
Symmetry XT Bespoke

# SYM SERIES

TRV-XT-XL LUMINA SHOWN WITH BIRCH LOG SET



# TRU-VIEW (TRV SERIES)

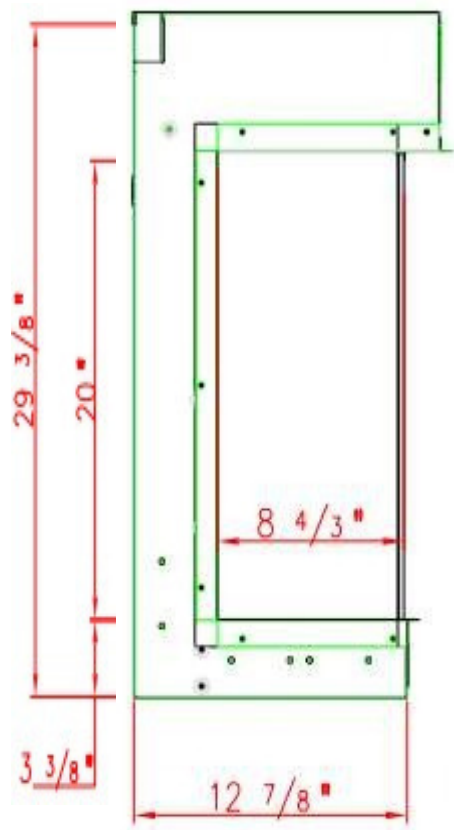
TRV-SLIM

TRU-VIEW-XL

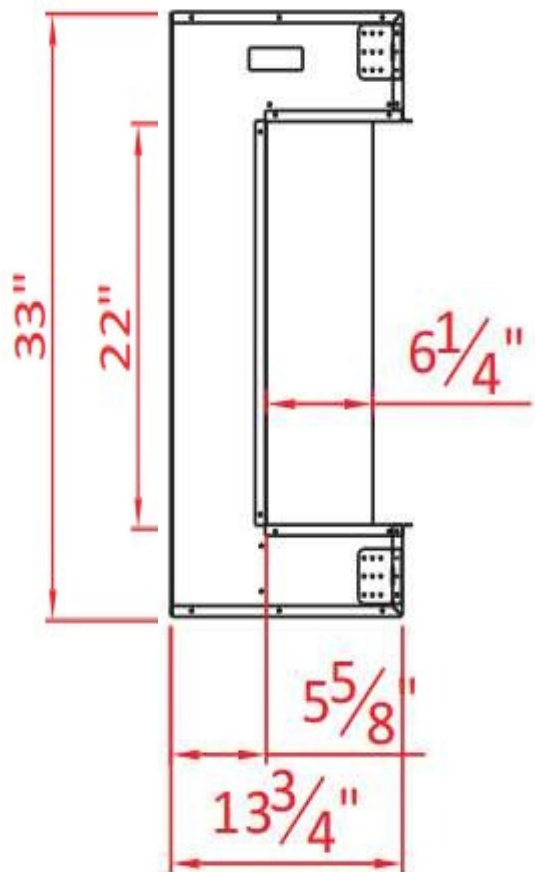
TRV-XT-XL

TRV-BESPOKE

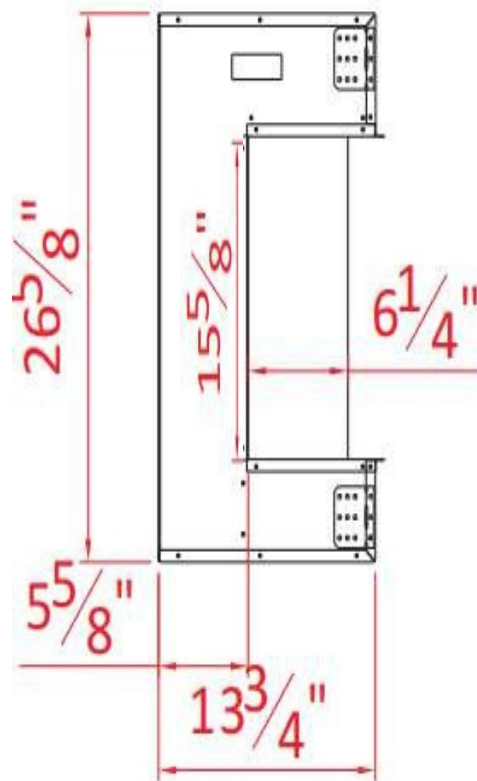




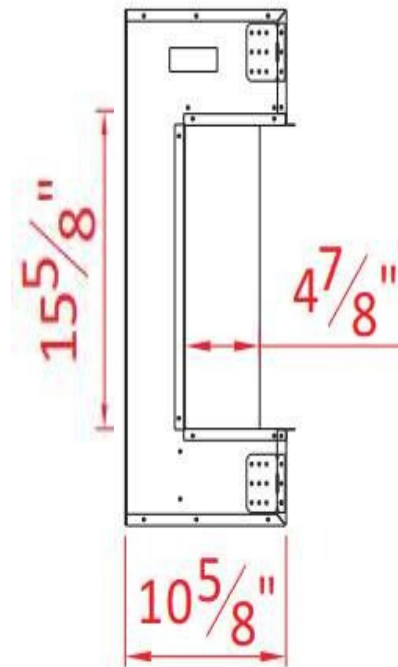
Tru View Bespoke



Tru View XL XT



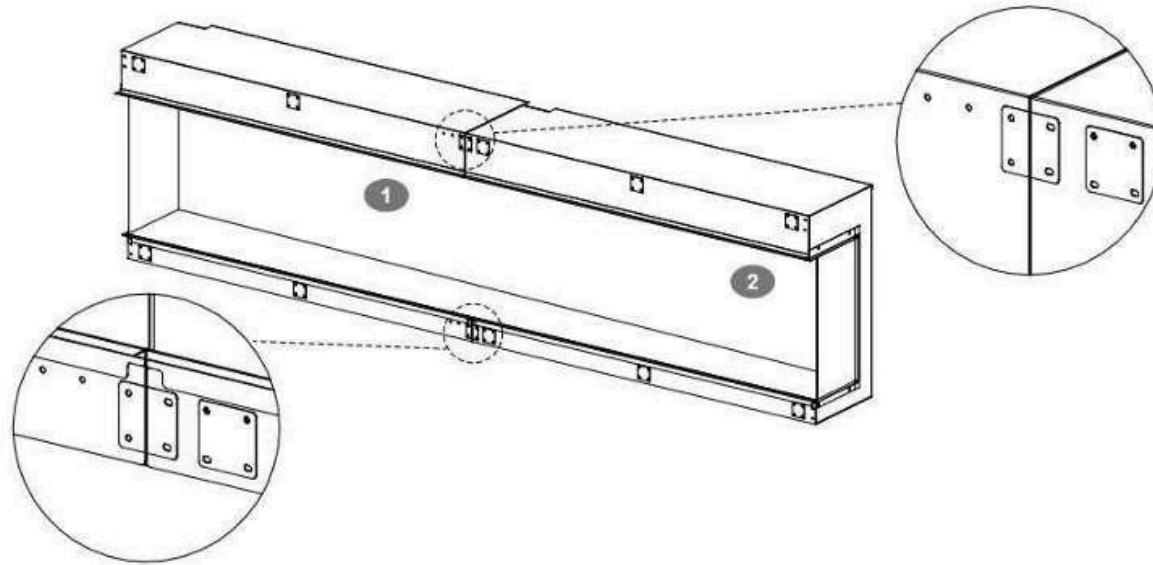
Tru View XL



Tru View Slim

# TRV SERIES

## TECH SPECIFICATIONS



Any of the units can be combined, providing endless possibilities.

45" & 45" for 90"

45" & 55" for 100"

45" & 65" for 110"

45" & 75" for 120"

45" & 85" for 130"

55" & 45" for 100"

55" & 55" for 110"

55" & 65" for 120"

55" & 75" for 130"

55" & 85" for 140"

65" & 45" for 110"

65" & 55" for 120"

65" & 65" for 130"

65" & 75" for 140"

65" & 85" for 150"

75" & 45" for 120"

75" & 55" for 130"

75" & 65" for 140"

75" & 75" for 150"

75" & 85" for 160"

85" & 45" for 130"


85" & 55" for 140"

85" & 65" for 150"

85" & 75" for 160"

85" & 85" for 170"



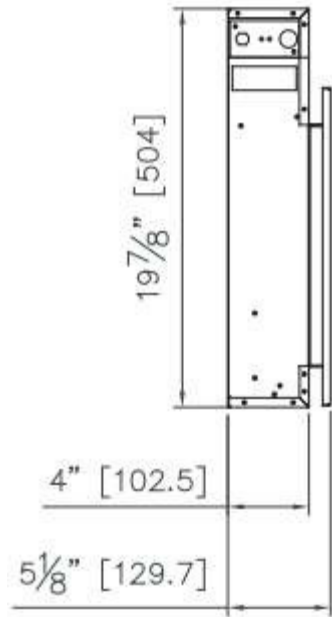


BI-50-DEEP-LUMINA SHOWN WITH GLASS

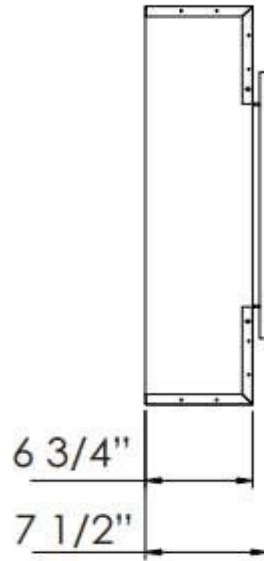
BI-XTRASLIM  
BI-SLIM  
BI-DEEP  
BI-DEEP-XT



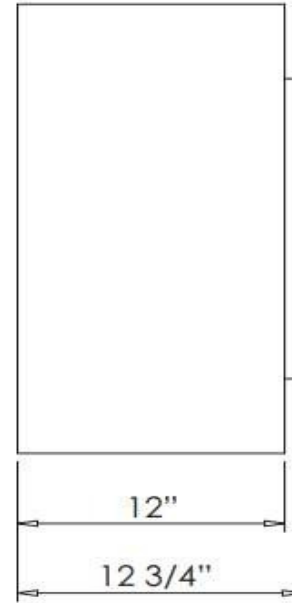
Panorama BI SERIES



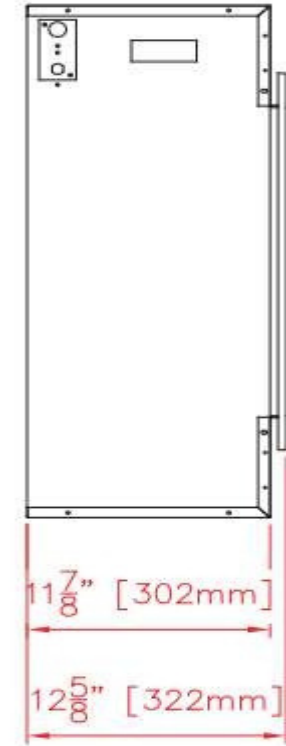
Panorama Xtra Slim



Panorama Slim



Panorama Deep



Panorama Deep XT

# BI SERIES

# FREESTANDINGS

- E SERIES
- FS-26-922
- CUBE
- PDS



Freestanding

E 50/70



Freestanding

FS-26-922



Freestanding

**CUBE**

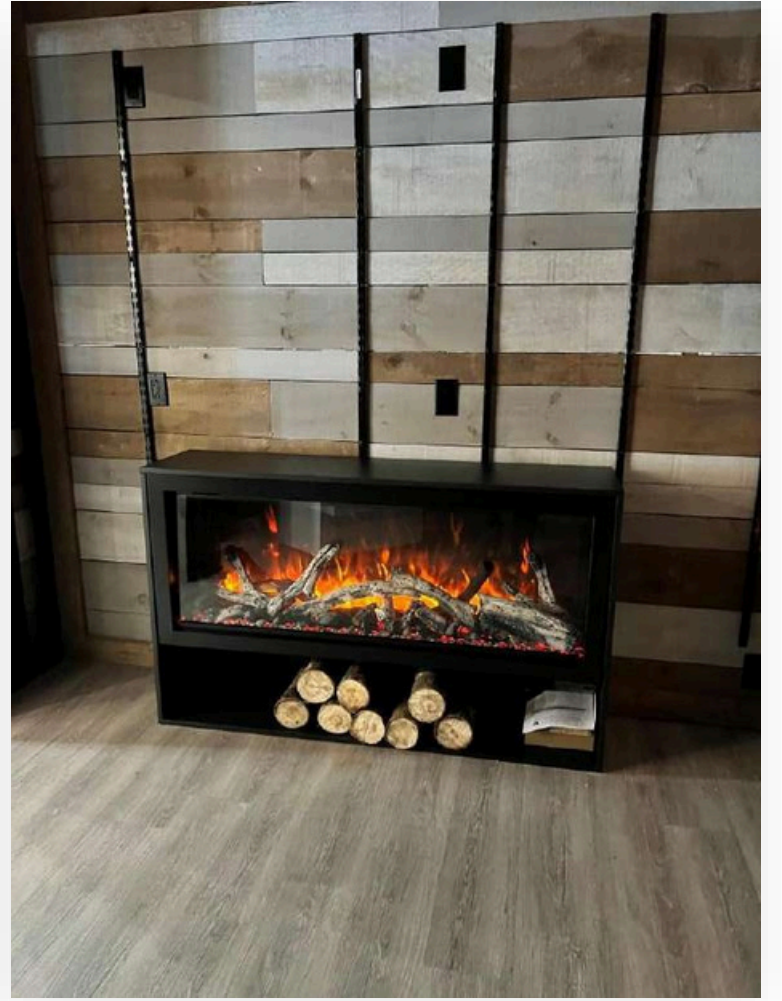


**Freestanding**

PDS



Freestanding



# Amantii

ELECTRIC FIREPLACES



## Lumina \$\$

1. 2-year warranty
2. Standard Media sets
3. Outdoor Installation approved

## Bespoke 👑

1. 5 Years warranty
2. Lit Logs
3. Bluetooth Speakers
4. Crackling sounds
5. Outdoor Installation approved

# Ignite Your Home with Style

## **Signature Series**

Discover the Signature Series by Amantii, featuring the patented Optimyst® technology from Dimplex—ultra-realistic flames, mesmerizing ambiance, and a warm, modern touch that transforms any room. Now available in a stunning three-sided Tru-View electric fireplace.

## **Projection Series**

The Signature MultiView Holo Projection Series by Amantii combines modern design with customizable flame and heat settings. Featuring Multi-Screen Flame Projection, WiFi/Bluetooth connectivity, a programmable remote, and adjustable flame and ember lighting, it brings warmth and style to any space.



NEW PRODUCT ALERT







*Signature*

**MultiView Holo Projection Series**

# SIG-

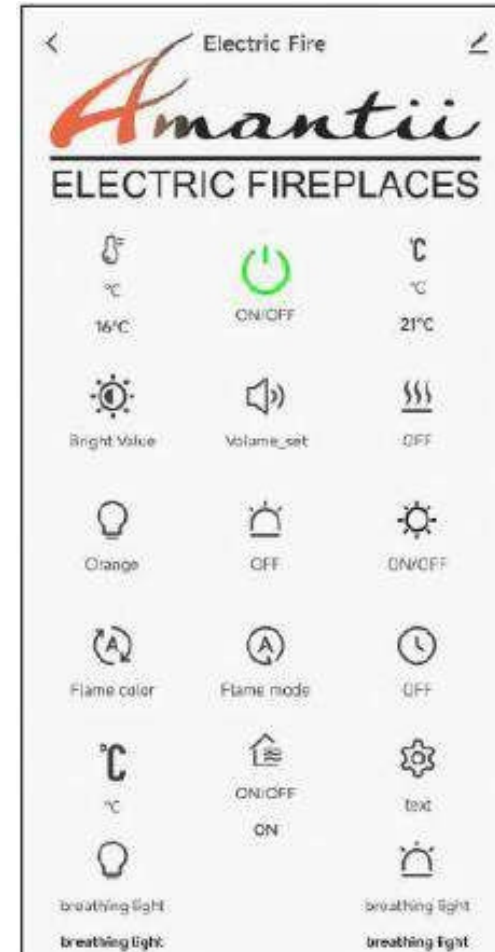
## MultiView Holo

Ultra HD holographic flames with smoke and spark effects create a stunningly realistic fire. Customize flame colors, lighting, and intensity for the perfect ambiance—quietly and effortlessly.



# What makes us different

Amantii isn't just a fireplace—it's a premium lifestyle upgrade that combines design, technology, and convenience, giving your home the warmth and sophistication it deserves



# HOLO-55-BLK-PDS



# TRV-SIG

Experience dual-layer LED and Optimyst® flames, zero emissions, immersive sound, flexible control, and versatile multi-sided design.





**Dual-Layer Flame:** LED Flames with Optimyst® Water Vapor

**Zero-Emission Flames:** Continuous operation with no combustion

**Fire + Sound:** Integrated crackling audio for immersive realism

**Flexible Control:** Remote, App, or Touch Panel

**Multi-Sided Design:** Perfect for built-in or panoramic installations

Experience 5,000–10,000 BTU of zero-emission comfort in a 20” deep fireplace, available in 38”, 55” and 75”

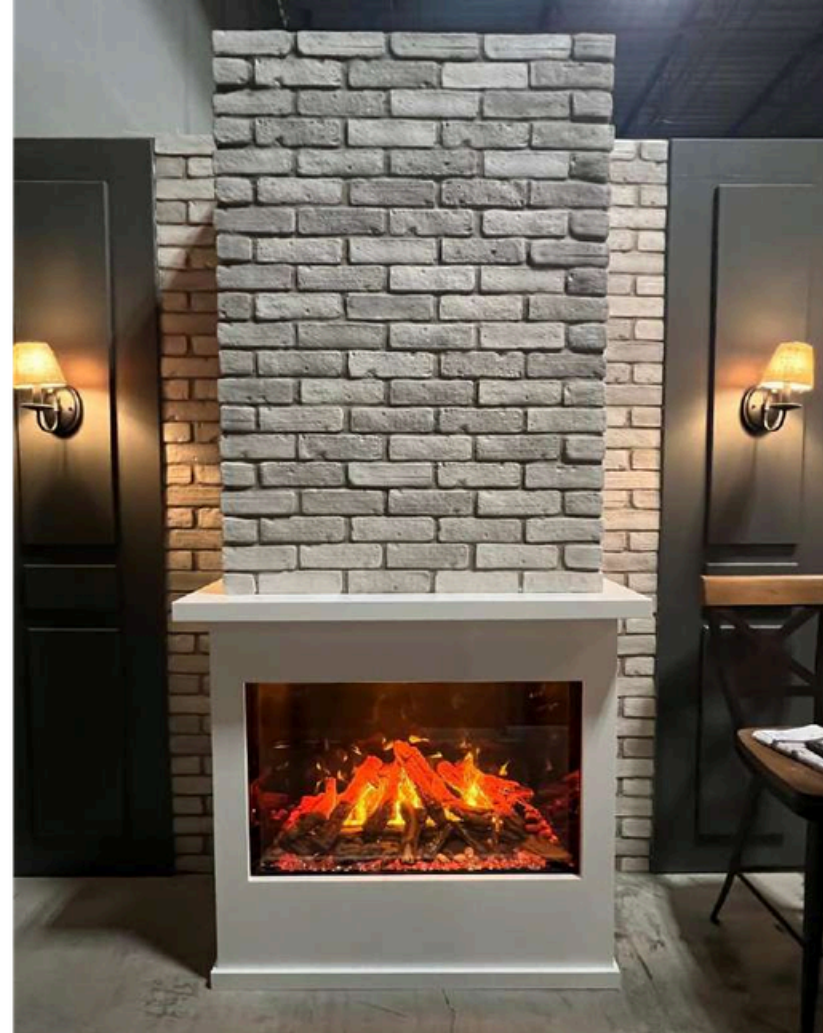
# Signature Series

Signature TrueView Series 3 sided glass electric fireplace by Amantii

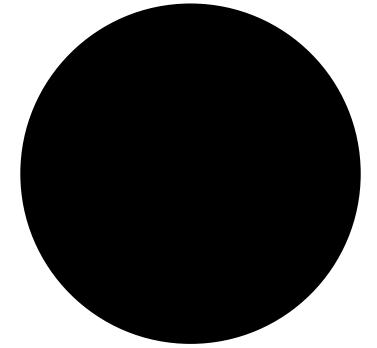


# Signature Series

BI-TRD showroom pictures



# Main Product Benefits



Smart, sleek, and stunning—every time you light it

<b>Customizable Flame &amp; Ambiance</b>	<b>Versatile Design &amp; Installation</b>	<b>Smart Convenience &amp; Control</b>
<ul style="list-style-type: none"><li>○ Multi-color LED flames with adjustable brightness and ember bed lighting for a striking, immersive fire.</li></ul>	<ul style="list-style-type: none"><li>○ Multiple models and sizes for wall-mounted, built-in, freestanding, or three-sided installations.</li></ul>	<ul style="list-style-type: none"><li>○ Remote, app, and Wi-Fi options with independent flame and heat operation for ultimate ease of use.</li></ul>





Transform your space with the RusticStone Electric Fireplace Insert, offering realistic Oak logs, low-energy LED flames, and a crystal ember bed. Powerful 10,000BTU heat, Wi-Fi connectivity, and versatile trim make it perfect for any room and any season



# RusticStone

“The Fireplace That Raises the Bar”

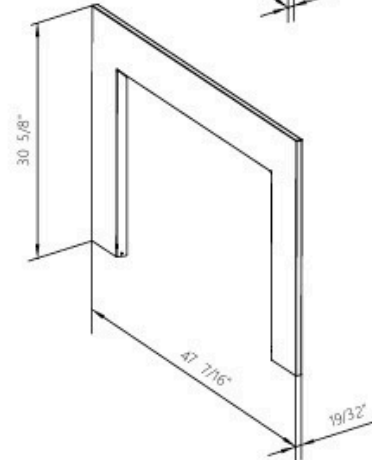
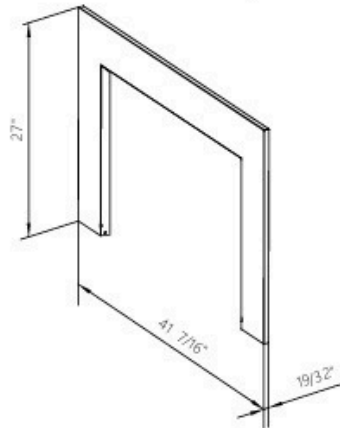
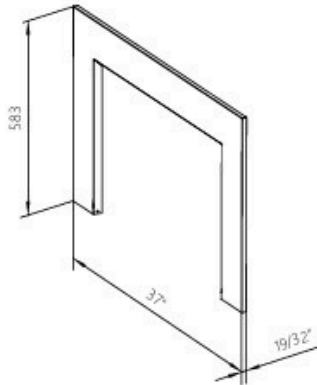
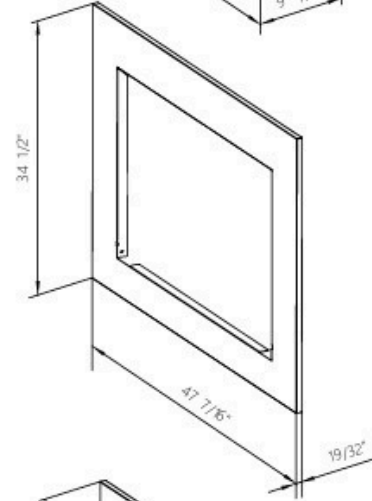
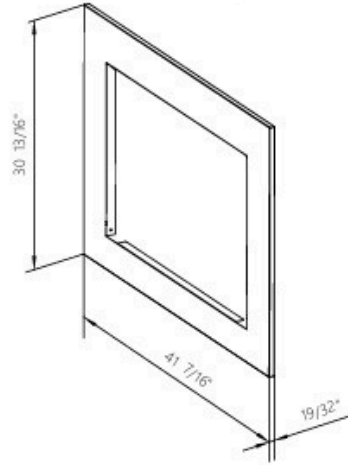
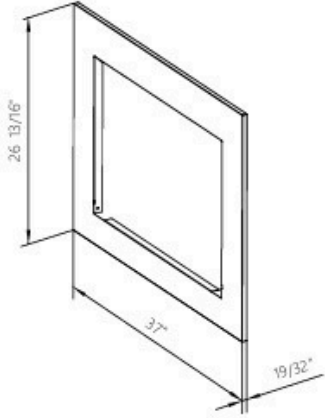
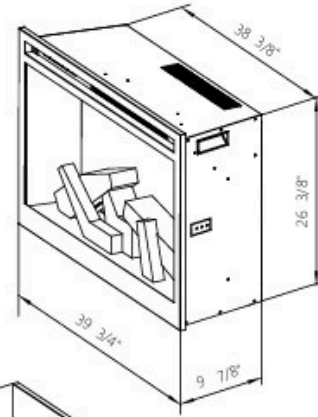
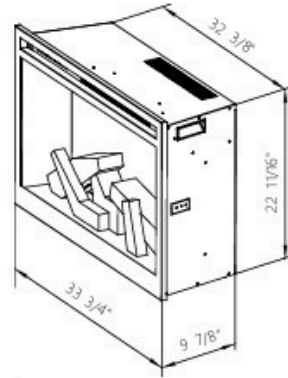
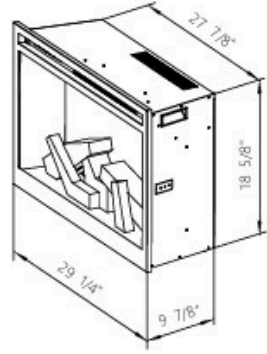


RS36-BLK-PDS







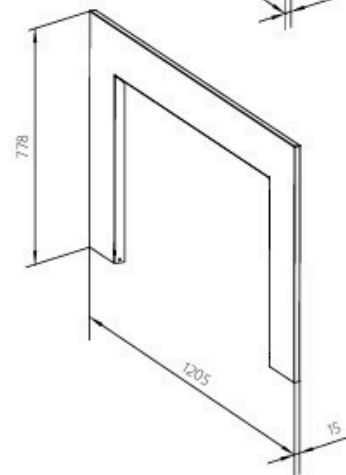
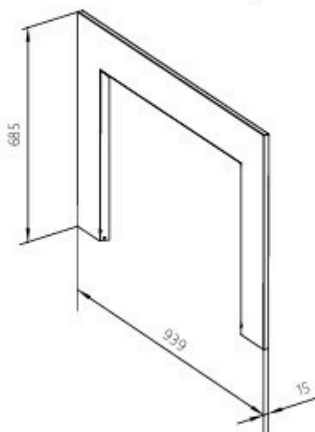
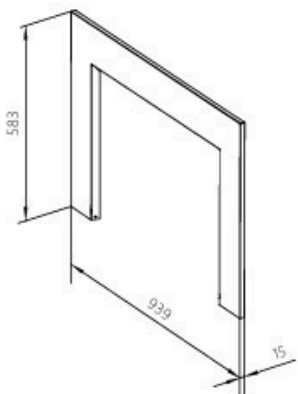
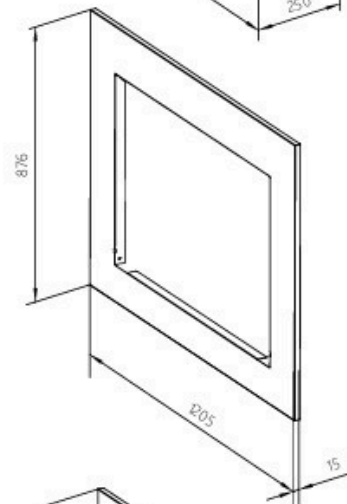
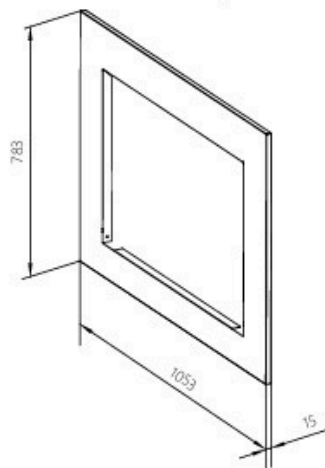
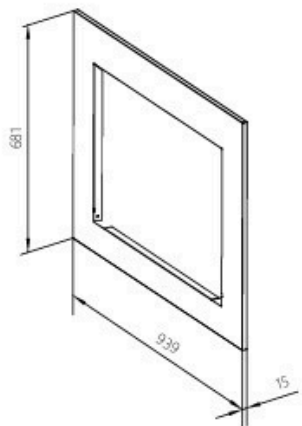
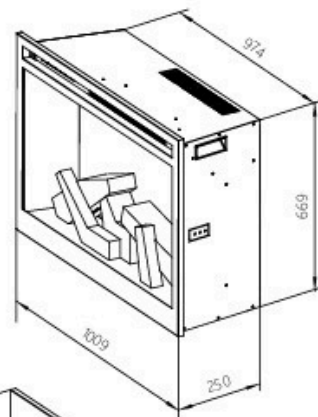
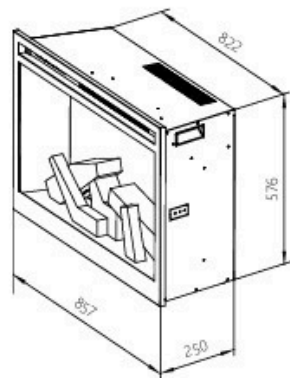
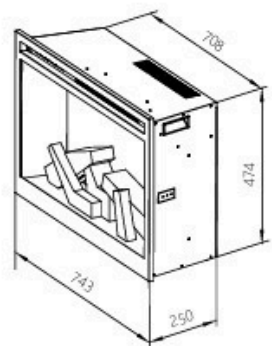


# WHY RusticStone

Enhanced Flame Depth	Higher Heat Output	Realistic, Premium Logs	Customizable & Versatile
Mirrored back panel and crystal ember bed make the flames appear more vivid and lifelike	10,000BTU capacity can comfortably heat rooms up to 500 sq. ft., outperforming standard inserts.	Pre-installed Oak logs create a more authentic and cozy ambiance than molded or generic log sets.	Multiple sizes and optional Trim kits allow seamless integration into existing fireplaces



**Meet Rusticstone: The Electric Fireplace Reimagined™**  
**All the features you love, redefined with power, realism, and control.**



*Amantii*  
ELECTRIC FIREPLACES **RusticStone**

- Electric fireplace insert with optional trim options.
- Mirrored backing enhances depth
- 10,000 BTU output for maximum heat.
- Yellow strips create a deep, bright yellow flame.
- Wi-Fi compatible with a mobile app for enhanced control.
- Programmable remote control, Multi-Flame Speeds
- Easy to install — plug and play.





# Scalable Fireplace Solutions

Similar look and installation, tailored pricing for different customer segments

## Classic

Brick panels  
Preset logs  
CE30 \$1139



## Rustic Stone

Mirror back Glass  
Pulsating logs  
10000 BTUs  
RS30 \$1499



## TRD Series

Black Glass  
Included Oak Logs  
Better Warranty  
TRD30 \$2299



## Signature Series

Built in  
Hybrid flame  
\$4419





# LUMAFORREST





Experience the Amantii LumaForest—advanced flame technology with customizable Timberlux-style logs and pulsating LED effects. Enjoy powerful heating up to 10,000BTU, blending realism, ambiance, and performance in one premium unit

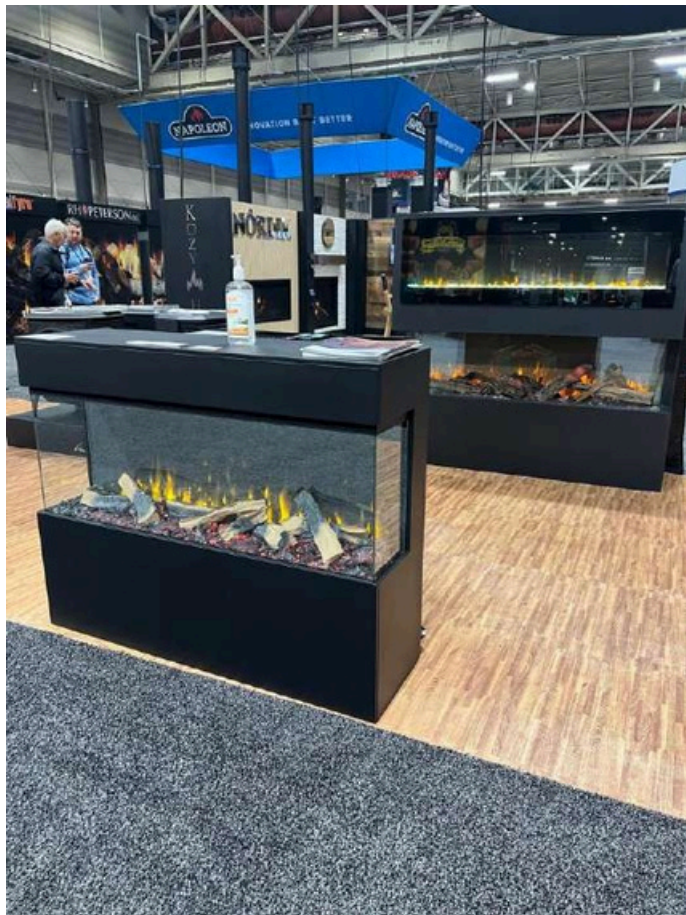






LF48	
LF63	

# LF48-BLK-PDS





## LumaForest

- 3-Sided Glass for ultimate depth
- Mirrored backing enhances depth
- 10,000 BTU output for maximum heat.
- Yellow strips create a deep, bright yellow flame.
- Wi-Fi compatible with a mobile app for enhanced control.
- Programmable remote control, Multi Flame Speeds
- Easy to install — plug and play.





# E S es- HO

Revolutionary cast iron fireplace delivers up to 20,000 BTU of powerful, efficient heat.



Setting a new standard for freestanding stoves, this cast-iron fireplace delivers powerful heat, vibrant flames, and unmatched realism



# Key Features

## UPTO 20000 BTUs

- Two heat settings with thermostat control, plus flame-only mode

## CAST IRON Finish

- Durable, timeless design available in 50cm and 70cm

## LIT LOGS

- New lit and glowing log sets create a cozy, authentic fire experience

## Efficient

- Strategically placed

## Smart Control

- WiFi connectivity and multi-function remote for effortless operation





# *Amantii* UPDATED E Series

- 10,000 BTU output for maximum heat.
- Available in 2 sizes
- LED LIT logs
- Yellow strips create a deep, bright yellow & Orange flame
- Wi-Fi compatible with a mobile app for enhanced control.
- Programmable remote control, Multi-Flame Speeds
- Easy to install — plug and play.

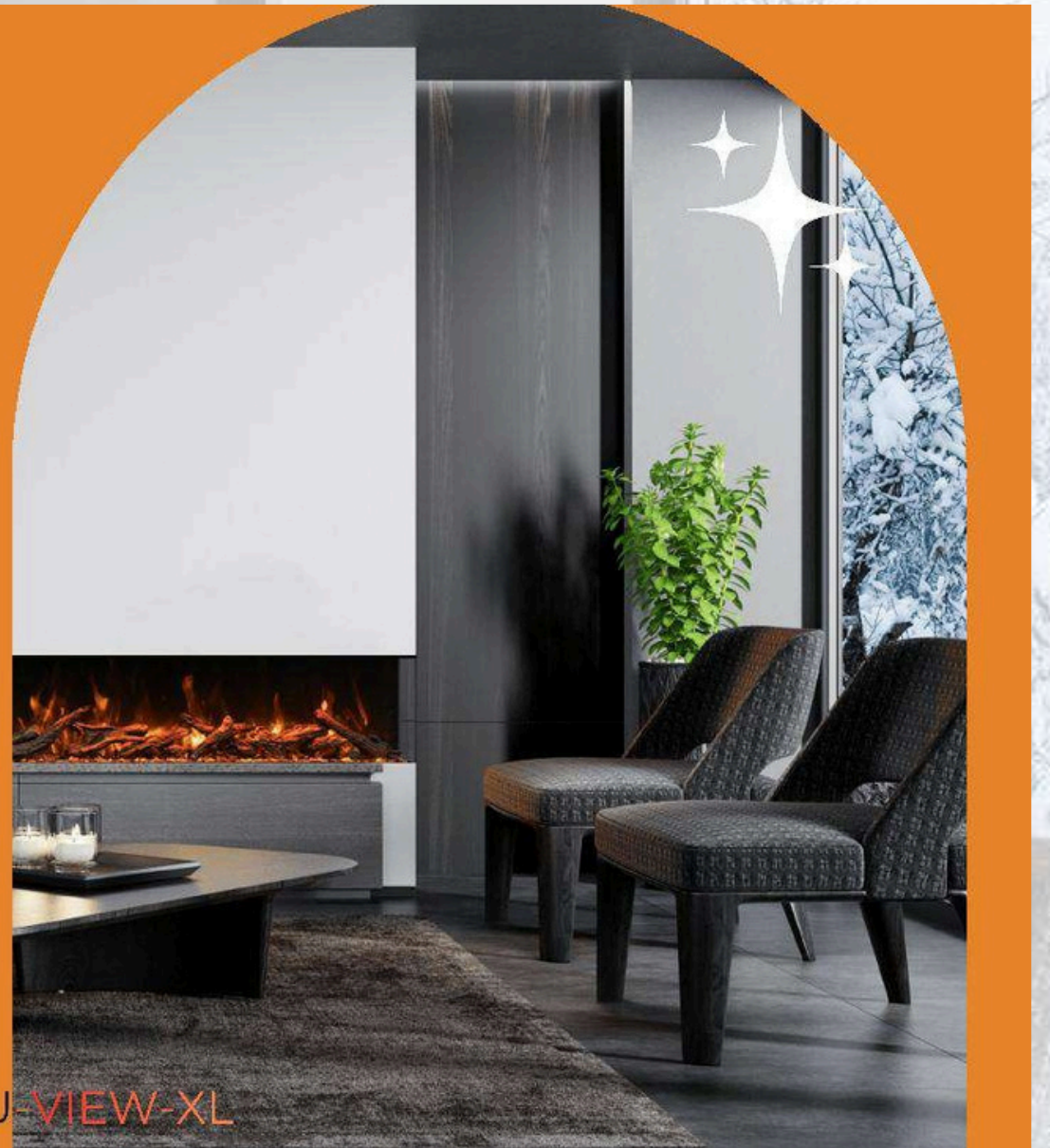


*Amantii*  
Winter Promo  
2026

Unbeatable Deals. Timeless Style.



Free TimberLux set with TRU-VIEW-XL





**TIMBERLUX**  
*19 Piece Real Wood Media Kit*



# TimberLux

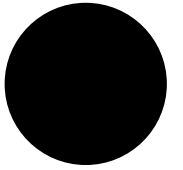
Real Wood

West Coast soul

**Crafted by nature.  
PerfectedinBritish  
Columbia**



# New and Improved



	Old Product	New Product
○ Remote	<ul style="list-style-type: none"><li>• on/off</li><li>• two heat settings</li></ul>	<ul style="list-style-type: none"><li>• on/off</li><li>• programmable remote</li><li>• multi heat settings</li><li>• canopy and tray lighting control</li></ul>
○ Motor	<ul style="list-style-type: none"><li>• 1 speed</li></ul>	<ul style="list-style-type: none"><li>• 5 + speed via mobile app</li></ul>
○ Flame	<ul style="list-style-type: none"><li>• multicolored</li><li>• no stencil</li></ul>	<ul style="list-style-type: none"><li>• traditional colors</li><li>• stencil</li></ul>
○ Logs	<ul style="list-style-type: none"><li>• pre-built in logs with no further selection</li></ul>	<ul style="list-style-type: none"><li>• Multi option log-sets for further customization</li></ul>

New Amantii fireplaces offer smarter controls, realistic flames, and stylish, flexible designs

[Back to Agenda Page](#)



# Fire & Ice

powered by *Amantii*











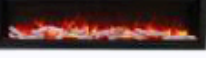


- Modern Linear Design: Sleek, minimalist style ideal for contemporary spaces.
- Realistic Flame Effect: Advanced flame technology delivers a lifelike fire experience.
- Adjustable Flames: Easily control flame brightness and intensity to match your mood.
- Multi-Color LED Backlighting: Customizable ambient lighting adds style and visual impact.




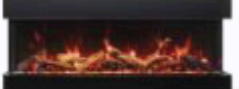
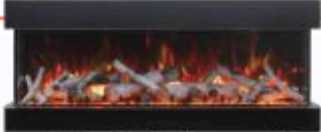




- Ultra-Realistic Flames: Powered by Ultra Flame Technology for a natural fire-like appearance.
- Powerful Heating Performance: Fan-forced infrared heater delivers fast, even warmth for rooms up to 400 sq. ft.
- Remote Control Convenience: Easily adjust settings from the comfort of your seat.
- Easy Installation: Ready to use out of the box—simply plug into a standard 120V outlet.
- Modern Frameless Design: Sleek black linear finish enhances décor with a minimalist look.
- Bright LED Flame & Ember Bed: High-intensity LEDs create a striking display any time of day.
- User-Friendly Controls: Hidden-style controls light up when needed and dim when not in use.
- Included Accessories: Comes with tempered front glass, plug kit, and full-feature remote.



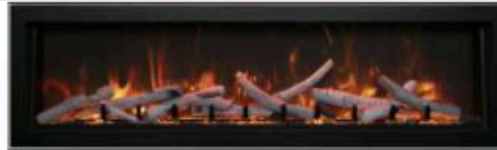
- 3-Sided Built-In Design: Clean, vent-free look with no visible grills or unsightly venting.
- WiFi App Control: Connect and control your fireplace from your smartphone via the app.
- Custom Flame Effects: Features a 3-speed flame motor, 2 flame styles, and yellow, orange, and red flame color combinations.
- Programmable Heat Settings: Built-in timer and thermostat let you schedule operation and maintain your ideal room temperature.
- 5000 BTU Heating: Provides reliable warmth for added comfort.
- Indoor/Outdoor Approved: Suitable for both indoor and outdoor applications.\*
- Touchpad & Remote Control: Easily manage settings with the integrated touchpad or included patented thermostatic remote.
- Custom Ember Lighting: Choose from 10 ember bed colors plus a rotating color mode.

Symmetry							
Model:	LINEAR EVOLUTION	SYM-XS	SYM-LUMINA	SYM-XT	SYM-BESPOKE	SYM-XT-BESPOKE	SYM-XT-LUMINA
Warranty	1 Years	2 Years	2 Years	2 Years	5 Years	5 Years	2 Years
Height	19 1/8"	15 3/8"	15 5/8"	20 1/8"	15 5/8"	20 1/8"	20 1/8"
Depth	5 1/8"	4 1/8"	6 1/8"	11 3/4"	6 1/8"	11 3/4"	11 3/4"
3 Speed Motor	5 speed motor	√	√	√	√	√	√
Optional Media	√	√	√	√	√	√	√
Max BTU for Heat Output	5000BTU	5000BTU	5000BTU	10,000BTU*	5000BTU	10,000BTU*	10,000BTU*
Wifi	√	√	√	√	√	√	√
Bluetooth	X	X	X	X	√	√	X
Speaker	X	X	X	X	√	√	X
Included Media Kit	√	X	√	X	X	X	√
Remote Control	√	√	√	√	√	√	√






TruView Series						
Model:	LumaForest	CUBE 2026WM LUMINA	TRU VIEW SLIM	TRU-VIEW-XL	TRU-VIEW XT XL	TRU-VIEW BESPOKE
Warranty	1 Years	2 Years	2 Years	2 Years	2 Years	5 Years
Height	22"	25"	26 5/8"	26 5/8"	33"	29 3/8"
Depth	11 3/4	11 3/4"	10 5/8"	14 1/4"	13 3/4"	15"
3 Speed Motor	5 speed motor	√	√	√	√	√
Optional Media	√	√	√	√	√	√
Wifi	√	√	√	√	√	√
Bluetooth	X	X	X	X	X	√
Speaker	X	X	X	X	X	√
Optional Media	√	√	√	√	√	√
Max BTU for Heat Output*	10,000BTU*	5000BTU	5000BTU	10,000BTU*	10,000BTU*	10,000BTU*
Remote Control	√	√	√	√	√	√
Interconnectable Units	X	X	X	X	X	√

TRD Series					
Model:	RusticStone	Classic Edition	TRD EXTRA SLIM	TRD LUMINA	TRD BESPOKE
Warranty	1 Years	1 Years	2 Years	2 Years	5 Years
Height	30"- H18 7/8" 33"- H24" 38"- H27"	19" 1/8	16 3/4"	"26" - 16 3/4" 30" - 19 1/8" 33" - 22 1/4" 38" - 27 1/4" 44" - 31 5/8" 48" - 41 1/8"	"30" - 19 1/8" 33" - 22 1/4" 38" - 27 1/4" 44" - 31 5/8" 48" - 41 1/8"
Depth	D9 1/4"	8 1/2'	4 1/8"	"26" - 11 3/8" 30" - 11 3/8" 33" - 11 3/8" 38" - 12 3/8" 44" - 13 3/4" 48" - 13 3/4"	"30" - 11 3/8" 33" - 11 3/8" 38" - 12 3/8" 44" - 13 3/4" 48" - 13 3/4"
3 or 4 Sided Trim kit Required	√	X	X	√	X
3 Speed Motor	√	X	√	√	√
Optional Media	√	√	√	√	√
Wifi	√	√	√	√	√
Max BTU for Heat Output	*10,000BTU	5000BTU	5000BTU	5000BTU	5000BTU
Bluetooth	X	X	X	X	√
Speaker	X	X	X	X	√
Included media kit	√	√	X	√	√
Remote Control	√	√	√	√	√

**PANORAMA**



Model:	BI-XS	BI-SLIM	BI-DEEP	BI-DEEP-XT
Warranty	2 Years	2 Years	2 Years	2 Years
Height	19 7/8"	23 5/8"	23 5/8"	29 1/2"
Depth	4"	6 3/4"	12"	12 5/8"
3 Speed Motor	√	√	√	√
Choice of Media	X	X	X	X
Optional Media	√	√	√	√
Wifi	√	√	√	√
Bluetooth	X	X	X	X
Max BTU for Heat Output	5000BTU	5000BTU	5000BTU	10,000BTU*
Speaker	X	X	X	X
	√	√	√	√

FREESTANDING					
	CUBE 2026WM Lumina	FS26922 Lumina	Lynwood Cast Iron E-50-HO	Lynwood Cast Iron E-70-HO	Lynwood W-76 Wood-Burning Stove
Warranty	2 Years	2 Years	2 Years	2 Years	2 Years
Height	25"	28"	28 ¼"	28 ¼"	29 ½"
Depth	11 ¾"	17 ½"	17 ½"	17 ½"	19 1/8"
3 Speed Motor	√	√	√	√	√
Optional Media	√	√	√	√	√
Wifi	√	√	√	√	√
Outdoor Approved	√	X	X	X	X
Bluetooth	X	X	X	X	X
Speaker	X	X	X	X	X
Optional Media	√	√	√	√	√
Max BTU for Heat Output*	5000BTU	5000BTU	5000BTU-10000BTU	5000BTU-10000BTU	"13784 to 57674 BTU/hr"
Remote Control	√	√	√	√	√
Required Clearance Shield	X	X	X	X	√

					
INSERTS	RusticStone	INS-FM-30	INS-FM-34	TRD LUMINA INSERT	TRD BESPOKE INSERT
Warranty	1 Years	2 Years	2 Years	2 Years	5 Years
Height	30"- H18 7/8" 33"- H24" 38"- H27"	19"	23 1/8"	16 3/4" - 41 1/8"	19 1/8" - 41 1/8"
Depth	D9 1/4"	8 1/2"	8 1/2"	11 3/8" - 13 3/4"	11 3/8" - 13 3/4"
3 or 4 Sided Trim kit Required	√	X	X	√	√
3 Speed Motor	√	√	√	√	√
Optional Media	√	√	√	√	√
Wifi	√	X	X	√	√
Outdoor Approved	X	X	X	√	√
Max BTU for Heat Output	*10,000BTU	5000BTU	5000BTU	5000BTU	5000BTU
Bluetooth	X	X	X	X	√
Speaker	X	X	X	X	√
Optional Media	√	√	√	√	√
Remote Control	√	√	√	√	√