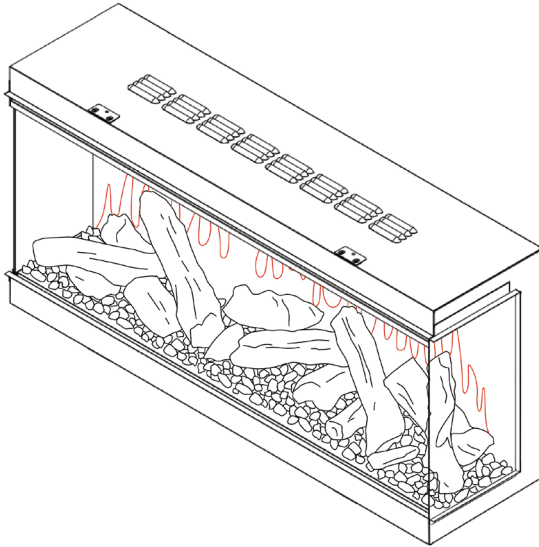


# 01. INSTALLATION / OWNERS MANUAL

*Amantii*  
ELECTRIC FIREPLACES

## *A* LUMA FOREST



### SAFETY INFORMATION

#### WARNING

If the information in these instructions are not followed exactly, a fire or explosion may result causing property damage, personal injury or loss of life.

Do not store or use gasoline or other flammable vapors and liquids in the vicinity of this or any other.

### MODEL SKU:

- MODEL:  
LF2510048-1 (LF48),  
LF2510063-1 (LF63),  
LF2510075-1 (LF75)

  
C US  
256438

CONSUMER: RETAIN THIS MANUAL FOR FUTURE REFERENCE.

INSTALLER: LEAVE THIS MANUAL WITH THE APPLIANCE.



WARNING: This product can expose you to chemicals including lead in the wiring, which is [are] known to the State of California to cause birth defects or other reproductive harm. For more information visit: [www.p65warnings.ca.gov](http://www.p65warnings.ca.gov)

[www.amantii.com](http://www.amantii.com)

*Amantii*  
ELECTRIC FIREPLACES

Version:202601

## Customer Support

We're here to help.

Phone: 1-888-406-8764

Email: support@amantii.com

Hours: Monday–Friday, 8am–4:30pm PST

## What Our Customers Are Saying

“Our Amantii fireplace transformed our living space. Elegant, modern, and easy to use.”  
—Sandra T., Toronto

“Top-notch support and a beautiful product. Highly recommended!”  
—Mike R., Seattle

A Special Thank You

“Thank you for being a part of our journey. We invite you to discover everything our family of brands has to offer!” Warm regards,  
The Amantii Team.

## CONTENTS

1. Important Safety Information .....	4
2. Technical Specifications .....	6
3. Before Installation .....	7
4. Installation Instructions .....	8
5. Operating Instructions .....	15
5a. Control Panel Operation .....	15
5b. Tuya Smart / Smart Life App Operation .....	16
5c. Remote Control Operation .....	19
6. Schematic Diagram .....	22
7. Spare Part List .....	23
8. 1 Year Limited Warranty .....	25
9. Explore More From Cannedheat .....	27
10. What Our Other Brands Offer .....	28
11. Stay Connected With All Our Brands .....	29

## CONTACT INFORMATION

### Canada Order Desk:

Phone: 877.850.9458 - Ext 3

Email: westcanorders@cannedheat.com

Email: eastcanorders@cannedheat.com

### USA Order Desk:

Phone: 877.850.9458 - Ext 2

Email: usaorders@cannedheat.com

### Technical Support:

Phone: 877.850.9458 - Ext 5

Email: cdn-service@amantii.com

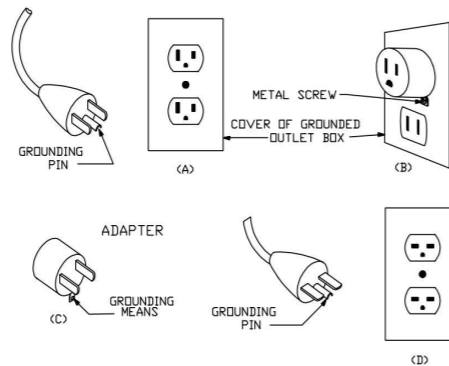
### Headquarters:

Phone: 604.684.6040

## 1. IMPORTANT SAFETY INFORMATION

When using electrical appliances, basic precautions should always be followed to reduce the risk of fire, electric shock, and injury to persons, including the following:

- 1.1 **Read all of the instructions before using this appliance.**
- 1.2 This heater is hot when in use. To avoid burns, **do not** let bare skin touch hot surfaces. Keep combustible materials, such as furniture, pillows, bedding, papers, clothes, etc. and curtains at least 0.9 m from the front of the heater and keep them away from the sides and rear.
- 1.3 Extreme caution is necessary when any heater is used by or near children or invalids and whenever the heater is left operating and unattended.
- 1.4 **Do not** operate any heater after it malfunctions. Disconnect power at service panel and have heater inspected by a reputable electrician before reusing.
- 1.5 **Do not** use outdoors.
- 1.6 To disconnect heater, turn controls to off, and turn off power to heater circuit at main disconnect panel (or operate internal disconnect switch if provided).
- 1.7 **Do not** insert or allow foreign objects to enter any ventilation or exhaust opening as this may cause an electric shock or fire, or damage the heater.
- 1.8 To prevent a possible fire, **do not** block air intakes or exhaust in any manner.
- 1.9 A heater has hot and arcing or sparking parts inside. **Do not** use it in areas where gasoline, paint, or flammable vapors or liquids are used or stored.
- 1.10 Use this heater only as described in this manual. Any other use not recommended by the manufacturer may cause fire, electric shock, or injury to persons.
- 1.11 This heater is for use on 120 V/240 V. The cord has a plug as shown at A in Figure below. An adapter as shown at C is available for connecting three-blade grounding-type plugs to two-slot receptacles. The green grounding lug extending from the adapter must be connected to a permanent ground such as a properly grounded outlet box. The adapter should not be used if a three-slot grounded receptacle is available.



Note: Adaptors are NOT for use in Canada.

### 1.12 SAVE THESE INSTRUCTIONS.

## 11. STAY CONNECTED WITH ALL OUR BRANDS

Explore More. Shop Smarter. Stay Inspired.

### Visit Our Brand Websites

Learn more, browse our full collections.

Brand	Website
Amantii (Modern Electric Fireplaces)	<a href="http://www.amantii.com">www.amantii.com</a>
Sierra Flame (Gas Fireplaces)	<a href="http://www.sierraflame.com">www.sierraflame.com</a>
Remii (Electric Fireplaces)	<a href="http://www.remii.com">www.remii.com</a>
Fire & Ice (Budget Friendly Electric Fireplaces)	<a href="http://www.fireandicefireplaces.com">www.fireandicefireplaces.com</a>



### CONTACT INFORMATION

#### Canada Order Desk:

Phone: 877.850.9458 - Ext 3

Email: [westcanorders@cannedheat.com](mailto:westcanorders@cannedheat.com)

Email: [eastcanorders@cannedheat.com](mailto:eastcanorders@cannedheat.com)

#### USA Order Desk:

Phone: 877.850.9458 - Ext 2

Email: [usaorders@cannedheat.com](mailto:usaorders@cannedheat.com)

#### Technical Support:

Phone: 877.850.9458 - Ext 5

Email: [cdn-service@amantii.com](mailto:cdn-service@amantii.com)

#### Headquarters:

Phone: 604.684.6040

**Sierra Flame** – High-performance gas fireplaces that blend classic aesthetics with modern technology.



**Fire & Ice** – A bold line known for its vibrant flame colors and contemporary feel, adding personality to any room.



Whether you're a homeowner, designer, or builder, Cannedheat has the perfect solution to bring warmth and style into your space.

## 10. WHAT OUR OTHER BRANDS OFFER

Discover the unique strengths of each Cannedheat brand. Use this quick comparison guide to find the right fit for your space, style, and budget.

Brand	Key Products / Focus	Unique Features	Best For
<b>Amantii</b>	Premium Electric Fireplaces	Customizable log sets, Wi-Fi enabled, Bluetooth compatible	Designer, custom home builds
<b>Remii</b>	Standard Electric Fireplaces	Clean design, easy installation, reliable performance	Homeowners, contractors, quick projects
<b>Fire &amp; Ice</b>	Budget-Friendly Electric Fireplaces	Bold flame effects, modern look at an accessible price	First-time buyers, apartments, rentals
<b>Sierra Flame</b>	Gas Fireplaces	Realistic flame, high heat output, traditional and modern models	High-performance heating, classic homes

### CONTACT INFORMATION

**Canada Order Desk:**

Phone: 877.850.9458 - Ext 3

Email: westcanorders@cannedheat.com

Email: eastcanorders@cannedheat.com

**USA Order Desk:**

Phone: 877.850.9458 - Ext 2

Email: usaorders@cannedheat.com

**Technical Support:**

Phone: 877.850.9458 - Ext 5

Email: cdn-service@amantii.com

**Headquarters:**

Phone: 604.684.6040

This device complies with part 15 of the FCC Rules. Operation is subject to the following two conditions:

- (1) This device may not cause harmful interference, and
- (2) this device must accept any interference received, including interference that may cause undesired operation.

**FCC warning:**

Any changes or modifications not expressly approved by the party responsible for compliance could void the user's authority to operate the equipment.

**Note:** This equipment has been tested and found to comply with the limits for a Class B digital device, pursuant to part 15 of the FCC Rules. These limits are designed to provide reasonable protection against harmful interference in a residential installation. This equipment generates uses and can radiate radio frequency energy and, if not installed and used in accordance with the instructions, may cause harmful interference to radio communications. However, there is no guarantee that interference will not occur in a particular installation. If this equipment does cause harmful interference to radio or television reception, which can be determined by turning the equipment off and on, the user is encouraged to try to correct the interference by one or more of the following measures:

- Reorient or relocate the receiving antenna.
- Increase the separation between the equipment and receiver.
- Connect the equipment into an outlet on a circuit different from that to which the receiver is connected.
- Consult the dealer or an experienced radio/TV technician for help.

This equipment complies with FCC radiation exposure limits set forth for an uncontrolled environment. This equipment should be installed and operated with minimum distance 20cm between the radiator & your body.

**IC warning**

This device complies with Industry Canada licence-exempt RSS standard(s).

Operation is subject to the following two conditions:

- (1) This device may not cause interference, and
- (2) This device must accept any interference, including interference that may cause undesired operation of the device.

This equipment complies with IC RSS-102 radiation exposure limits set forth for an uncontrolled environment. This equipment should be installed and operated with minimum distance 20cm between the radiator & your body.

## 2. TECHNICAL SPECIFICATIONS

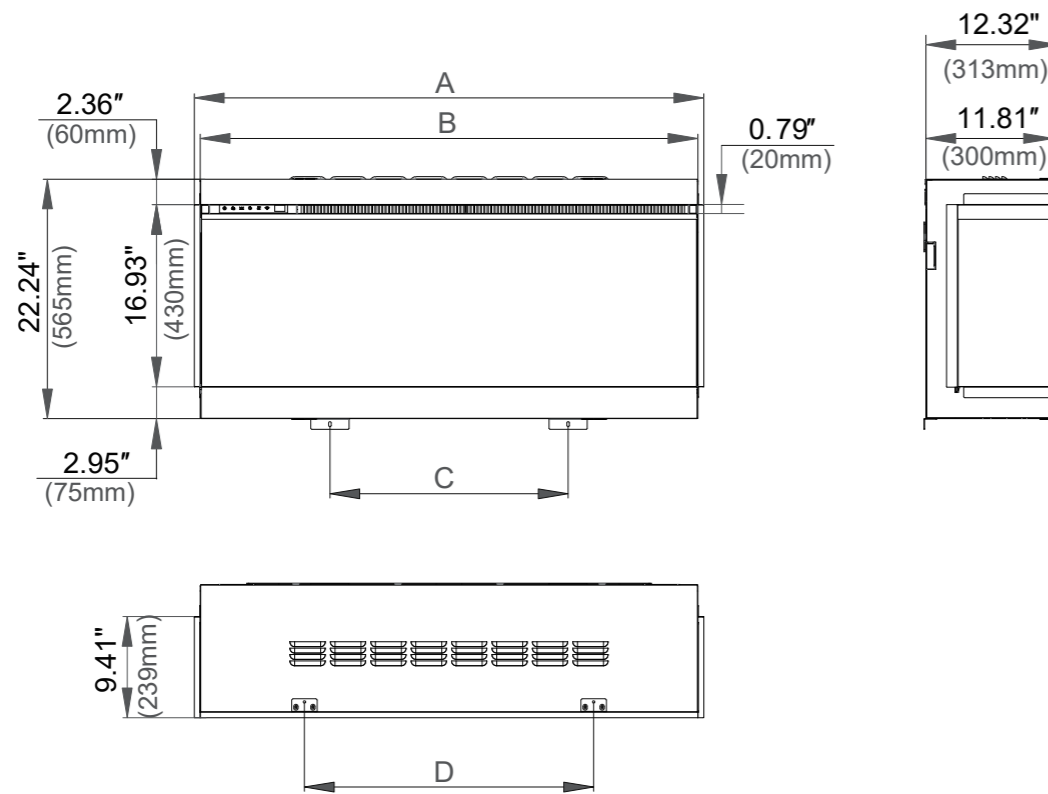
Model No.: LF2510048-1 (LF48), LF2510063-1 (LF63), LF2510075-1 (LF75)

Supply Voltage	AC 120 V, 60 Hz	AC 240 V, 60 Hz
Maximum Power Consumption	1400 W	2800 W

Power for flame, ember bed and down light effect:

LF2510048-1 (LF48)	LF2510063-1 (LF63)	LF2510075-1 (LF75)
38 W	50 W	58 W

### Appliance Dimensions



Model	A	B	C	D
LF2510048-1 (LF48)	1198mm	1170mm	560mm	680mm
	47.17"	46.06"	22.05"	26.77"
LF2510063-1 (LF63)	1598mm	1570mm	960mm	1080mm
	62.91"	61.81"	37.80"	42.52"
LF2510075-1 (LF75)	1905mm	1877mm	1267mm	1387mm
	75.00"	73.90"	49.88"	54.61"

## GENERAL TERMS

Amantii reserves the right to make changes at any time, without prior notice, to the design, materials, specifications, or pricing of its products. The company also reserves the right to discontinue any product or style without incurring any obligation.

### Please note:

This limited warranty does not apply to the plastic tray, LED Lights, back glass, or front glass of the unit.

## 9. EXPLORE MORE FROM CANNEDHEAT

Thank you for purchasing a Cannedheat product – Where Innovation Meets Ambience.

At Cannedheat, we're passionate about redefining comfort and style through cutting-edge fireplace solutions. With decades of industry expertise, our mission is to deliver exceptional design, quality, and performance across a wide range of electric and gas fireplace products.

### Our Brand Portfolio:

Explore our family of trusted brands, each offering unique features and styles to suit any space:

**Amantii Electric fireplace** – Sleek, modern electric fireplaces built for indoor and outdoor living. Innovation and elegance at its finest.



**Remii Electric Fireplace** – Versatile and stylish fireplaces designed for both residential and commercial applications.



### CONTACT INFORMATION

#### Canada Order Desk:

Phone: 877.850.9458 - Ext 3

Email: westcanorders@cannedheat.com

Email: eastcanorders@cannedheat.com

#### USA Order Desk:

Phone: 877.850.9458 - Ext 2

Email: usaorders@cannedheat.com

#### Technical Support:

Phone: 877.850.9458 - Ext 5

Email: cdn-service@amantii.com

#### Headquarters:

Phone: 604.684.6040

**Costs Not Covered:**

This warranty does not cover labor, installation, construction, transportation, or other incidental costs related to service, repair, or replacement of defective parts.

**Limitation of Liability:**

The owner/user assumes all other risks, including direct, indirect, or consequential damages arising from the use—or inability to use—the product, except where prohibited by law.

**No Additional Warranties:**

All other warranties—expressed or implied—relating to the product, its components, or accessories, are hereby excluded.

**No Third-Party Authority:**

Amantii does not authorize any third party to create or assume obligations or liabilities on its behalf regarding this product.

**Exclusion of Third-Party Accessories:**

This warranty does not apply to any third-party components or accessories used in conjunction with this product.

**WARRANTY SERVICE**

To initiate a warranty claim, please contact Amantii Technical Support at:

1.877.850.9458

502-1027 Davie Street, Vancouver,  
BC V6E 4L2

Please have your proof of purchase, model number, and serial number available.

**DEFECT RESOLUTION**

If a defect covered by this warranty is confirmed within the one (1) year warranty period, Amantii will replace the defective product or part at no charge. If replacement is not commercially feasible, Amantii may opt to refund the purchase price in lieu of replacement.

**APPLICATION OF PROVINCIAL AND STATE LAW**

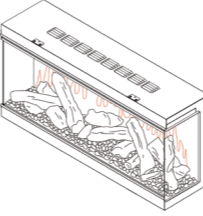

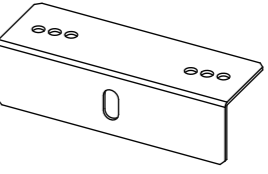
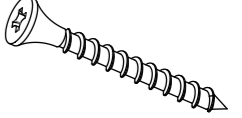
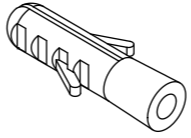

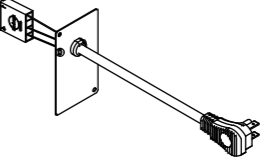
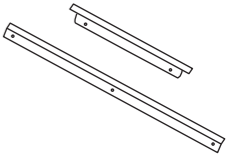
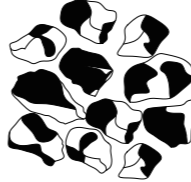
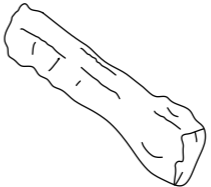
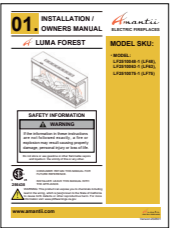
This limited warranty gives you specific legal rights, and you may also have other rights which vary from one jurisdiction to another.

The provisions of the United Nations Convention on Contracts for the Sale of Goods do not apply to this limited warranty or to the sale of any products covered by it.

**3. BEFORE INSTALLATION**

**Check Spare Parts**

- Unpack the fireplace carefully, make sure that the appliance is intact with no signs of damage caused during transportation and no part has been exposed to water. If in doubt, do not use the appliance and contact an authorized service center.
- Keep plastic wrapping away from children.
- Save the original packaging as this may be required in the event of service complaint with product.
- Check that all parts are removed from the packaging.
- Compatible lit logs are available from Amantii, other lit logs may not be suitable and will void warranty.

 <b>Fireplace(1 PC)</b>	 <b>Remote Control (1 PC)</b>	 <b>Fixing Bracket (2 PCS)</b>	 <b>ST4*40Screw (4 PCS)</b>
 <b>Wall Plug (LF48: 14 PCS) (LF63: 18 PCS) (LF75: 22 PCS)</b>	 <b>ST5*40 Screw (LF48: 14 PCS) (LF63: 18 PCS) (LF75: 22 PCS)</b>	 <b>Power Cord (1 PC)</b>	 <b>Edging Strip (1 SET)</b>
 <b>Black Glass Chips (1 SET)</b>	 <b>Logs (1 SET)</b>	 <b>Manual (1 PC)</b>	

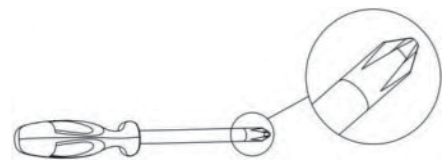
**Function Testing**

Please refer to operating instructions to test the functions first before installation. Should any defects found, please contact Amantii technical support.

## 4. INSTALLATION INSTRUCTIONS

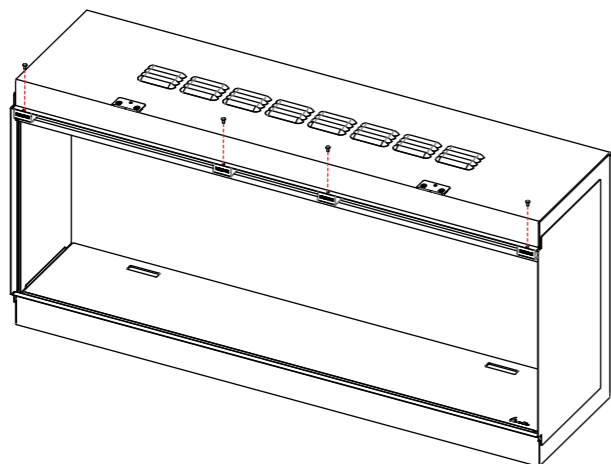
### Tools Required

A screw driver will be needed.



### Remove the protective blocks

Remove the ST4\*10 screws as shown in the below picture and take off the protective blocks before installation.



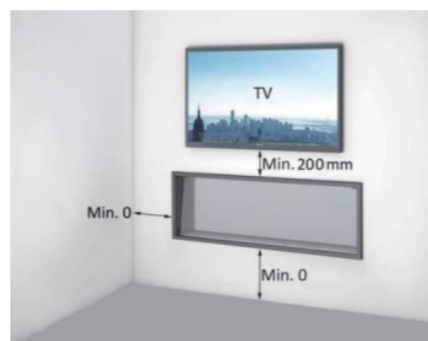
### Locating the Appliance

Your new electric fireplace may be installed virtually anywhere in your home. However, when choosing a location ensure that the general instructions are followed.

For best result, install out of direct sunlight.

### Minimum Clearance to Combustible

Sides.....	0
Floor.....	0
Back.....	0
Top (Mantel or TV).....	7.88" (200mm) minimum
Front.....	35.44" (900mm) minimum



## 8. 1 YEAR LIMITED WARRANTY

### Amantii Imports Corp. One-Year Limited Warranty

Amantii Imports Corp. ("Amantii") warrants that your newly purchased Amantii electric fireplace is free from manufacturing and material defects for a period of one (1) year from the date of original purchase, subject to the terms, conditions, and limitations outlined below.

### WARRANTY APPLICATION & EXCLUSIONS

This limited warranty applies exclusively to Amantii electric fireplaces purchased in Canada or any of the 50 States of the United States, including the District of Columbia. It is extended only to the original purchaser and is non-transferable. Proof of purchase from an authorized supplier is required.

### WARRANTY COVERAGE AND TERM

Products covered under this warranty have been factory-tested and inspected prior to shipment. Amantii warrants that these products are free from defects in material and workmanship under normal use and service for one (1) year from the date of original purchase.

Where applicable, any implied warranties are also limited to one (1) year, unless restricted by local law.

### ADDITIONAL WARRANTY CONDITIONS

#### Proper Installation & Operation:

This electric fireplace must be installed and operated in full compliance with the installation and operating instructions provided. Any unauthorized repair, modification, misuse, accident, or abuse will immediately void the warranty.

#### Original Owner Only:

This warranty applies only to the original owner, provided the product was purchased through an authorized Amantii dealer.

#### Defect Confirmation:

Warranty coverage is limited to repair or replacement of parts confirmed to be defective in material or workmanship after inspection by Amantii. Defective parts must have been subject to normal use and conditions.

#### Refund Option:

Amantii reserves the right to discharge all warranty obligations by refunding the wholesale price of the defective part(s).

#### Warranty Voids Include (but are not limited to):

- Exposure to prolonged moisture or condensation.
- Unauthorized alterations, willful abuse, accidents, or misuse.
- Failure to present original proof of purchase.

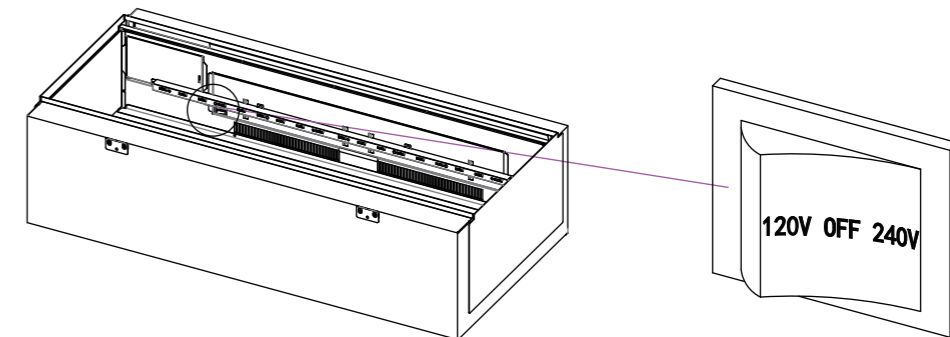
#	Description	Amantii Part No.	Quantity (pcs)		
			LF2510048-1 (LF48)	LF2510063-1 (LF63)	LF2510075-1 (LF75)
1-1	Front glass for LF48	AMT-LF-P01	1		
1-2	Front glass for LF63	AMT-LF-P02		1	
1-3	Front glass for LF75	AMT-LF-P35			1
2-1	Display screen for LF48	AMT-LF-P03	1		
2-2	Display screen for LF63	AMT-LF-P04		1	
2-3	Display screen for LF75	AMT-LF-P36			1
3	US power cord for LF	AMT-LF-P05	1	1	1
4	Amantii Fire Ice remote for LF V1	10105081	1	1	1
5	US heater/blower assembly for LF	AMT-LF-P07	1	1	1
6-1	Down light assembly for LF48	AMT-LF-P09	1		
6-2	Down light assembly for LF63	AMT-LF-P10		1	
6-3	Down light assembly for LF75	AMT-LF-P37			1
7	Remote receiver for LF	AMT-LF-P11	1	1	1
8	Switching power supply for LF	AMT-LF-P12	1	1	1
9	US control box for LF	AMT-LF-P14	1	1	1
10-1	Flame LED board for LF48	AMT-LF-P16	1		
10-2	Flame LED board for LF63	AMT-LF-P17		1	
10-3	Flame LED board for LF75	AMT-LF-P38			1
11-1	LF48 flicker assembly for flame	AMT-LF-P18	1		
11-2	LF63 flicker assembly for flame	AMT-LF-P19		1	
11-3	LF75 flicker assembly for flame	AMT-LF-P39			1
12	Flame motor for LF	AMT-LF-P20	1	1	1
13	Side glass for LF	AMT-LF-P21	2	2	2
14	US ember bed motor for LF	AMT-LF-P22	1	1	1
15-1	Ember bed LED board for LF48	AMT-LF-P24	1		
15-2	Ember bed LED board for LF63	AMT-LF-P25		1	
15-3	Ember bed LED board for LF75	AMT-LF-P40			1
16-1	LF48 flicker assembly for ember bed	AMT-LF-P26	1		
16-2	LF63 flicker assembly for ember bed	AMT-LF-P27		1	
16-3	LF75 flicker assembly for ember bed	AMT-LF-P41			1
17-1	Ember bed for LF48	AMT-LF-P28	1		
17-2	Ember bed for LF63	AMT-LF-P29		1	
17-3	Ember bed for LF75	AMT-LF-P42			1
18-1	Black glass chips for LF48	AMT-LF-P30	1		
18-2	Black glass chips for LF63	AMT-LF-P31		1	
18-3	Black glass chips for LF75	AMT-LF-P43			1
19-1	Logs for LF48/LF75	AMT-LF-P32	1		2
19-2	Logs for LF63	AMT-LF-P33		1	
20	Screws and brackets for LF	AMT-LF-P34	1	1	1
21	US wire entry panel for LF	AMT-LF-P13	1	1	1

### Prepare the Electrical Supply

- Plan the location of the appliance so that it will have adequate electric power. This appliance can operate on 120V 60Hz or 240V 60Hz circuit. To change voltage from 120V to 240V, press the voltage selecting switch.
- WARNING!** All electrical installation must be performed by a qualified electrician and must be electrically wired and grounded in accordance with local codes, if hard wired. Please contact Amantii if you need the compatible power cord for installation.

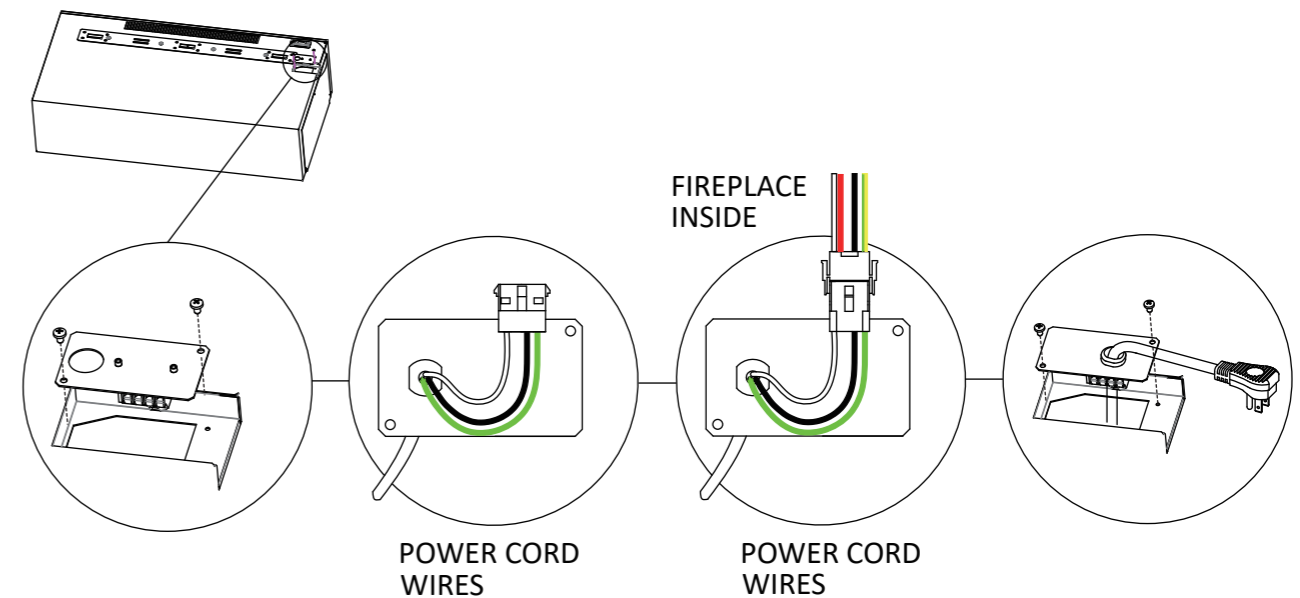
### Voltage Selecting Switch

Press “120V” or “240V” to select voltage, which is located inside the appliance as shown in the below picture.

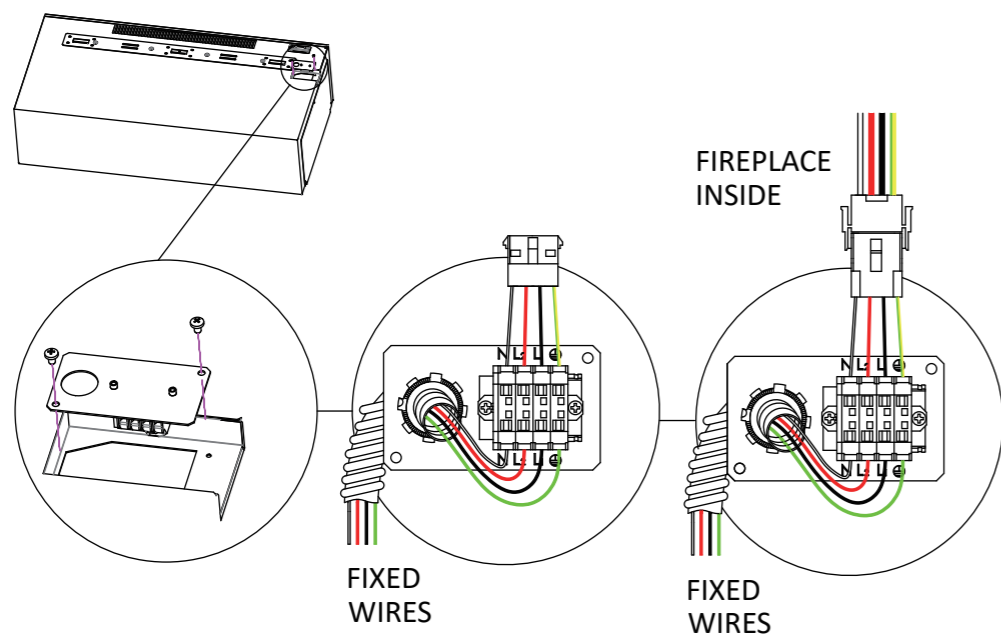


### Power Cord Installation

- A **120 V** power cord is included with the appliance. After selecting **120 V** voltage, take off the wire entry panel and install the **120 V** power cord packed with the appliance as shown in the below picture.



2. If selecting **240 V** voltage, take off the wire entry panel and hard wire the appliance as shown in the below picture.



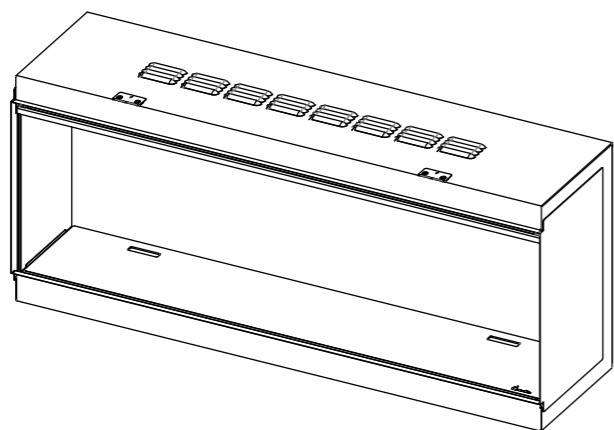
### Installing the Appliance

This appliance must be installed by an authorized person. The installation must conform to local regulations and must also comply with the instruction supplied by Amantii. Service and removal must be carried out by an authorized person.

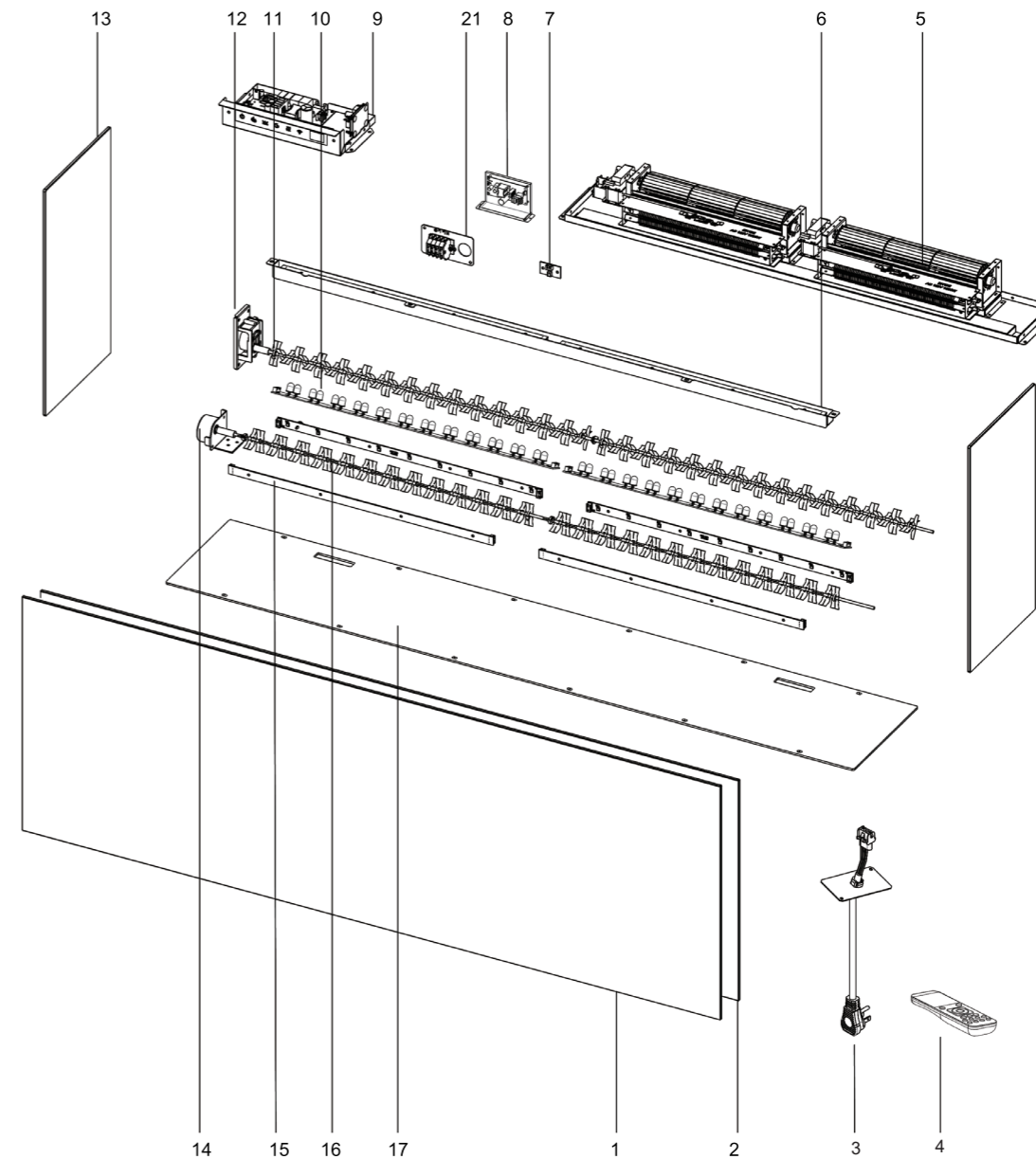
The appliance can be installed as three-sided fireplace, built in fireplace or wall mounted fireplace.

#### 1. One-sided (Front) Aspect

Your appliance will arrive in a single-sided (front only) aspect with metal side panels already fitted.



## 7. SPARE PART LIST



For compatible Amantii spare parts replacement, please refer to below list or scan the QR code for more details.



LF48 CSA

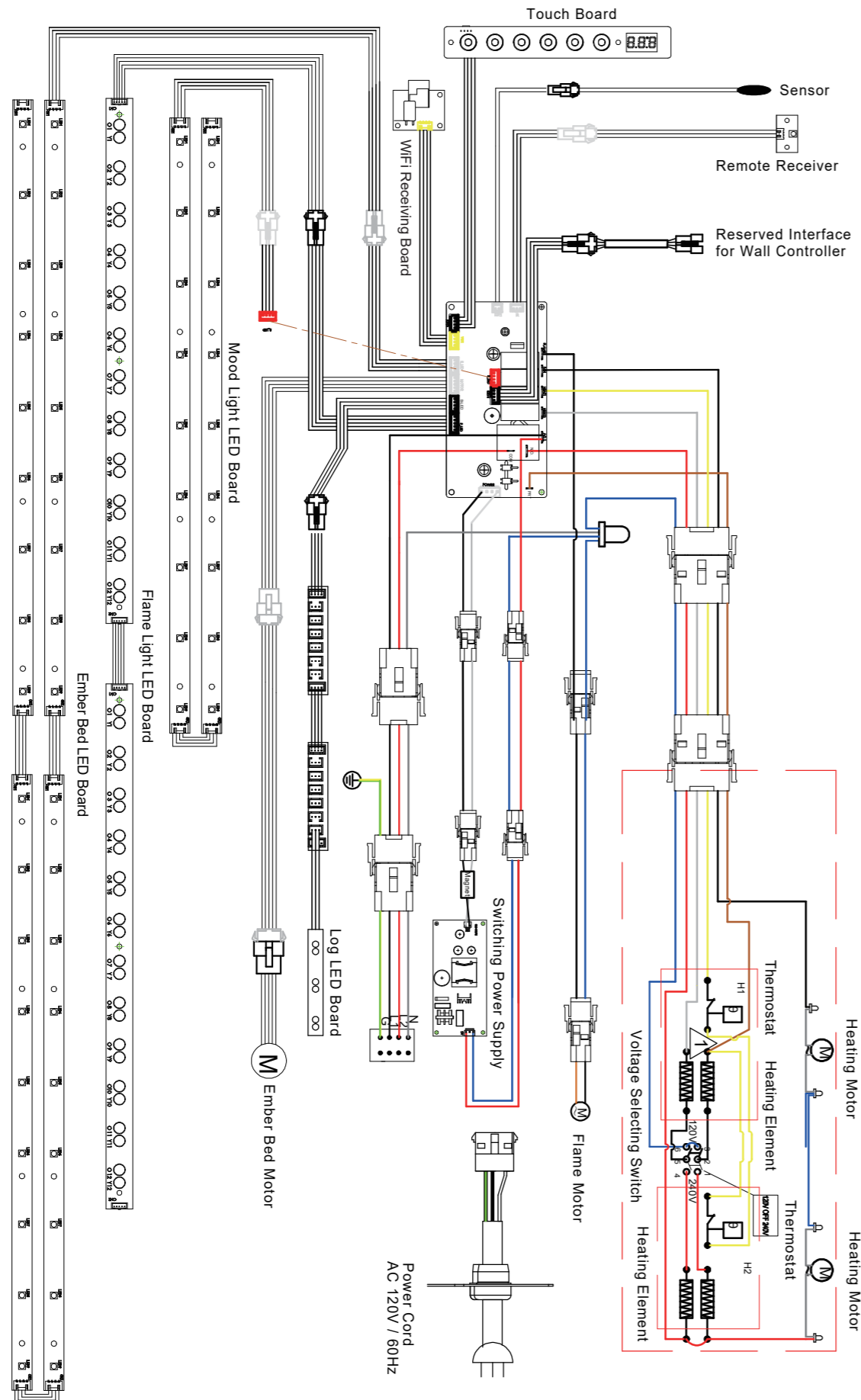


LF63 CSA



LF75 CSA

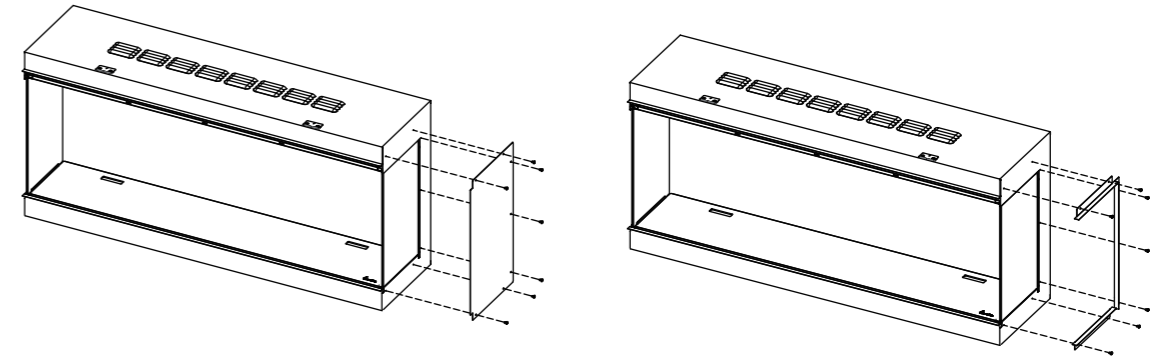
## 6. SCHEMATIC DIAGRAM



## 2. Two-sided (Corner) Aspect

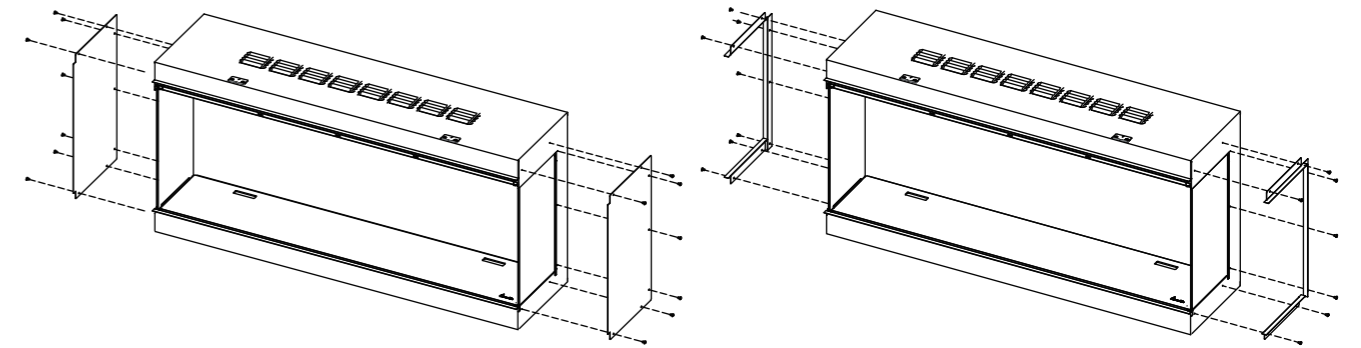
For a two-sided (corner) aspect, choose which side you want to feature a glass panel and remove the 7 screws that secure the metal side panel to the appliance. Carefully remove the panel and keep the screws in a safe place.

Using the removed screws, install 2 top/bottom edging strips and 1 back edging strip on the appliance.



## 3. Three-sided Aspect

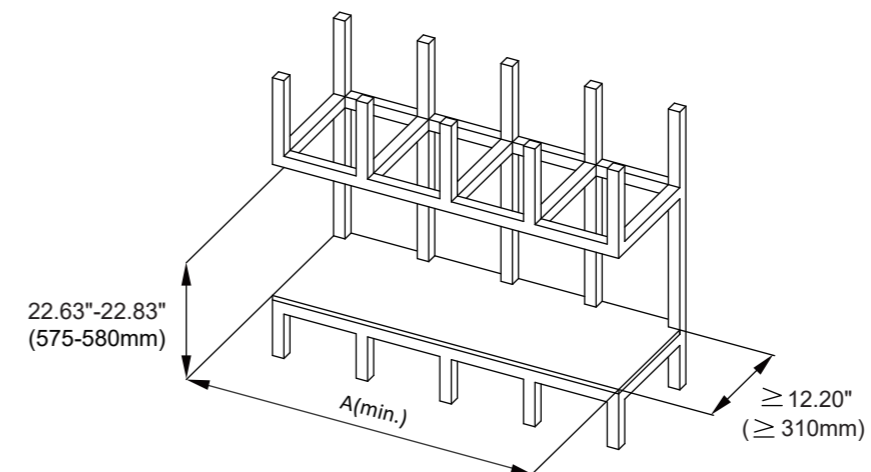
For a three-sided aspect, repeat the corner aspect procedure on the opposite side of the appliance.



## 4. Built in

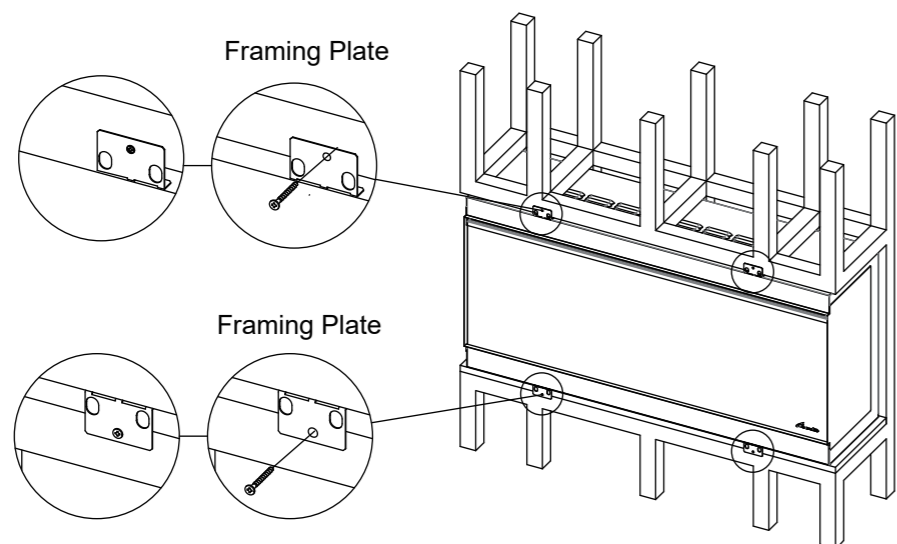
Use wood stud(at least 50mm) and support panel(20mm) to make the framework.

Below is the opening size of the framework for reference, we suggest the opening height as 22.63" (575mm).



Model	A
LF2510048-1 (LF48)	1170mm
	46.06"
LF2510063-1 (LF63)	1570mm
	61.81"
LF2510075-1 (LF75)	1877mm
	73.90"

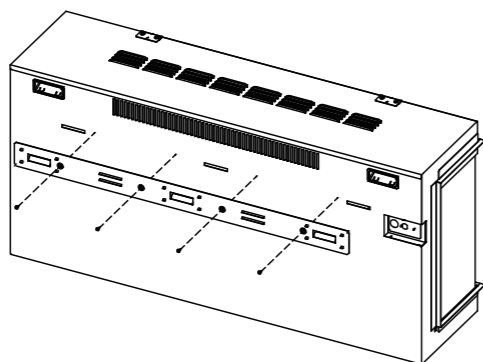
Bend out the brackets on the upper and lower side of the appliance, insert the fireplace into the framework, and then fix by 4pcs ST4\*40 screws.



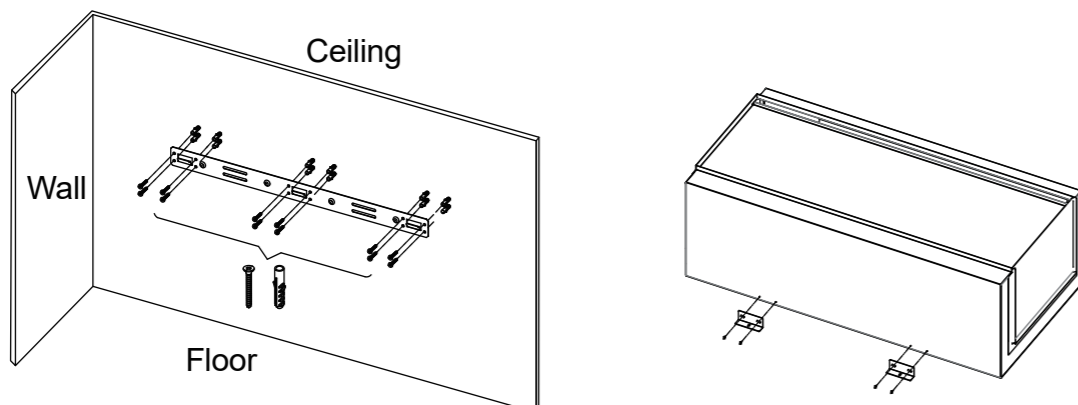
**Note:** Ensure a firm flat surface for positioning of the appliance and secure fixing to avoid vibration and movement of the appliance after cladding. Hard surfaces can amplify sound, consider adding some underlay or similar to the inside surface of the cladding.

### 5. Wall mounted

Remove four fixing screws on the wall bracket, and keep the screws for further use.



Place the wall bracket horizontally against the wall. Using the wall as a template, mark the hole position. Drill holes (diameter:8mm, depth≥40mm) on the marks, insert wall plugs(for concrete wall only) and fix the wall bracket with ST5\*40 screws (12 sets of wall plugs & ST5\*40 screws for LF48, 16 sets of wall plugs & ST5\*40 screws for LF63, and 20 sets of wall plugs & ST5\*40 screws for LF75). Install two fixing brackets with the four screws taking off from the wall bracket.



Press to turn on pulsating effect of lit logs or turn off lit logs.



7 days timer function

**Note:** Ensure that the current time setting is accurate, otherwise the effective time of the 7 days timer function will be different from what you set.

Press key once, 7 days from Sunday to Saturday will display on the LCD screen of the remote control, press key within 5 seconds to enter 7 days timer function. When "Sun" is flashing use or keys to select the day that you want to set, pressing key to confirm. Then "ON" will be displayed on the LCD screen of the remote control, at the same time, the hour on the digital clock flashes, press or keys to set the hour and then the minute you want the fireplace to run on. After setting the start up time, "OFF" will be displayed on the LCD screen. Use or keys to set the shutdown time the same as setting the start up time. After setting the shutdown time, "AUTO" will be displayed on the LCD screen of the remote control. The digital temperature flashes, at this time you can set the desired temperature with or keys. The fireplace will beep to acknowledge the settings. Now, the 7 days timer function has been set, the fireplace will save the setting and run automatically.

When the 7 days timer function is set, the icon will be displayed on the LCD screen of the remote control. Press key again to cancel the 7 days timer function, the will disappear.

**Note:** If the 7 days timing and general timing exist at the same time, the shutdown time shall be the earlier time. For example, it is now 6 am on Tuesday, turning on the heaters general timer for 4 hours, will have the shutdown time of 10 am. The previous 7 days shutdown time is 8 am on Tuesday, so today's heater shutdown time is 8 am instead of 10 am.

### Resetting the Thermal Cut Out

The appliance is fitted with an Electronic Safety Control (E.S.) This is a safety device which switches off the fireplace if, for any reason, the appliance overheats, e.g. when covered. If the heater stops operating while the flame effect continues working normally, this indicates that the E.S. Control is in operation. The E.S. control can only be re-set after the appliance has cooled down, and the appliance has been reset. Resetting of the E.S. Control procedures are as follows:

1. Turn off the fireplace.
2. Unplug the fireplace or turn off the circuit breaker and keep the power off for approximately 10 minutes.
3. Make sure there are no obstructions to the heater vents or fan blades.
4. Bring the power back on to the fireplace and the E.S Control will be reset.
5. Ensure that the appliance is functioning correctly. If the E.S Control operates again, contact Amantii tech support.



Moodlight

Each time the Mood light Button is pressed, the color of the mood light will change. The mood light color will cycle through AD1-AD10, dynamic condition AD11 and off setting.



ON/OFF

The Ember Bed Button turns the ember bed light on and off. When in on position, the LCD screen of the remote control default shows 6 for **R** and 3 for **G**. You can press **R** or **G** or **B** buttons to change the corresponding color. When set ember bed as 1 1 1, it will enter the color loop setting.



Each time the Red Button is pressed, the brightness of the red color decreases. There are 8 brightness levels (8-1), and OFF (no display) settings that can be cycled through. When no number is displayed on the remote control LCD screen then the ember bed color is off.



Each time the Green Button is pressed, the brightness of the green color decreases. There are 8 brightness levels (8-1), and OFF (no display) settings that can be cycled through. When no number is displayed on the remote control LCD screen then the ember bed color is off.



Each time the Blue Button is pressed, the brightness of the blue color decreases. There are 8 brightness levels (8-1), and OFF (no display) settings that can be cycled through. When no number is displayed on the remote control LCD screen then the ember bed color is off.

### Tray

Press to cycle through 17 preset ember bed effects.



ON/OFF

The Flame Button turns the Flame on and off. When in on position, the LCD screen of the remote control default shows 6 for **O** and 2 for **Y**. You can press **O** or **Y** buttons change the corresponding color.



Each time the Orange Button is pressed, the brightness of the orange color decreases. There are 6 brightness levels (6-1), and OFF (no display) settings that can be cycled through. When no number is displayed on the remote control LCD screen then the flame color is off.

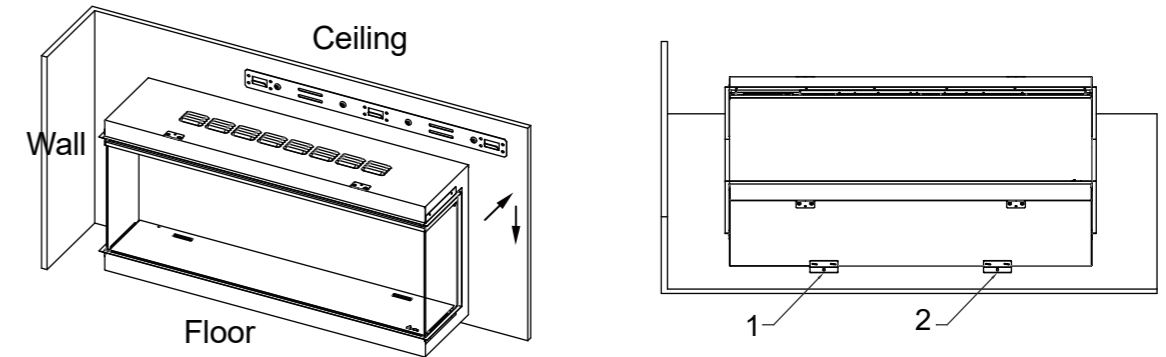


Each time the Yellow Button is pressed, the brightness of the yellow color decreases. There are 6 brightness levels (6-1), and OFF (no display) settings that can be cycled through. When no number is displayed on the remote control LCD screen then the flame color is off.

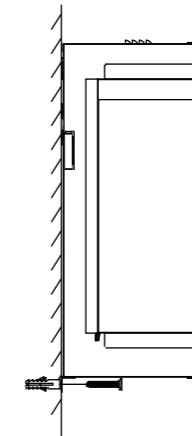
### Flame

Press to cycle through 6 preset flame effects.

Mount the appliance carefully on the hooks of the wall bracket. Drill holes (diameter:8mm, depth≥40mm) for the two fixing brackets.

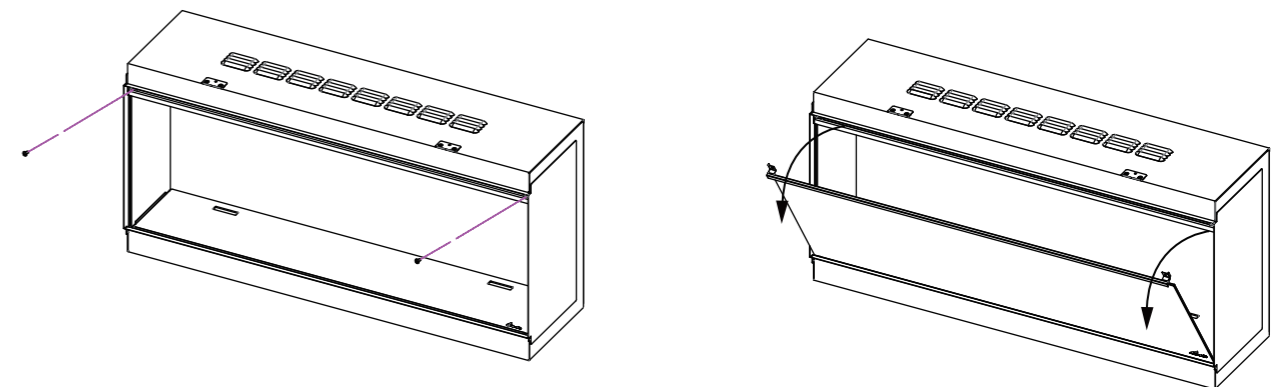


Install two wall plugs and fixing with ST5\*40 screws, DIY a surround to cover the upper and lower side of the frame.



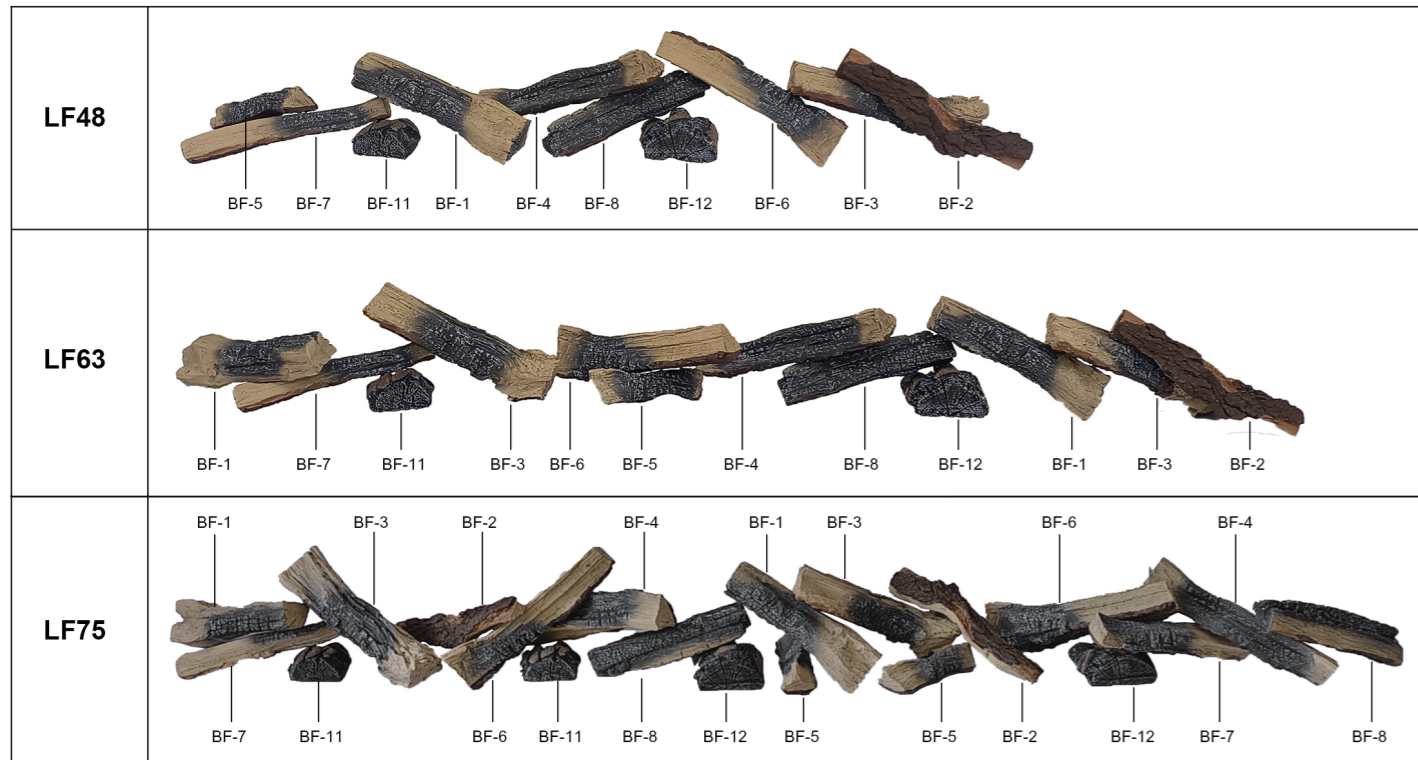
### Remove Front Glass Panel

Remove two screws and the glass retaining strip as shown in the below picture, take off the front glass panel carefully, and then arrange the ember bed decoration.



## Log and Ember Arrangement

**Step 1:** Every log has a number on it for identification. Place the logs on the ember bed according to below layout.



**Step 2:** Scatter black glass chips casually around all the logs, ensuring that all visible areas of the ember bed, including underneath and behind the logs, are covered.

**Step 3:** Place charcoal (BF-10) and barks (BF-9) casually to fill the gaps among the logs for a better effect.

**Note:** Compatible lit logs are available from Amantii. You can also take off two labels on the ember bed and insert the lit logs for more realistic ember bed effects. Please note other lit logs may not be suitable and will void warranty.

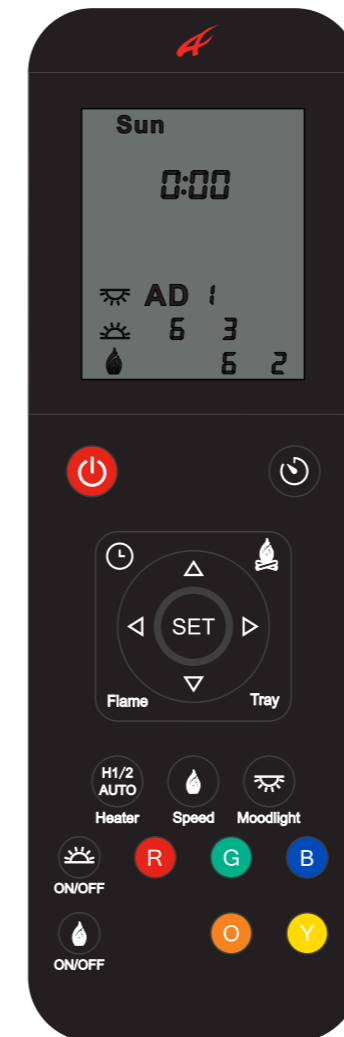
## 5c. REMOTE CONTROL OPERATION

For the remote to function make sure the fireplace is plugged in and the remote has batteries.

**Important:** When operating the remote make sure you point the remote to the center of the fireplace. Each time you press the button, there will be a beep tone emitted.

### Setting the current time of the remote control

Press key to activate the remote control and press key to enter the setting current time state. When one of the "Sun" "Mon" "Tue" "Wed" "Thu" "Fri" "Sat" date is flashing, you can press or keys to select the current day of the week, press key to confirm and enter hour setting. When the hour indicator flashes, press or keys to set the current time and press key to confirm and enter minute setting. When the minute indicator flashes, press or keys to set the current time and press key to confirm.



This Power Button turns the fireplace on and off. It has a memory function, press the power button once to turn power on. Press it again will turn the power off.



This Timer Button has adjustable setting at range from 30 minutes to 8 hours. As shown the following: 0:30 - 1:00 - 1:30 - 2:00 - 2:30 - 3:00 - 3:30 - 4:00 - 4:30 - 5:00 - 5:30 - 6:00 - 6:30 - 7:00 - 7:30 - 8:00. Once you have set the timer, the icon will be displayed on the LCD screen of the remote control. Press this button again, cancel the timing setting, and the icon disappears. When the timer is up, it will close all the functions and enter standby mode. In this mode, you should press the power icon to restart the appliance.



Heater

Each time the Heater Button is pressed, the power of the heater will change. As shown the following: H1 - H2 - AUTO(22°C) - OFF(no display).

H1 means the fireplace on Low Heat.

H2 means the fireplace on High Heat.

AUTO means the fireplace can automatically adjust to the temperature you set. When in AUTO, you can set the desired temperature with or keys. You can switch temperature unit between Celsius and Fahrenheit with or keys.



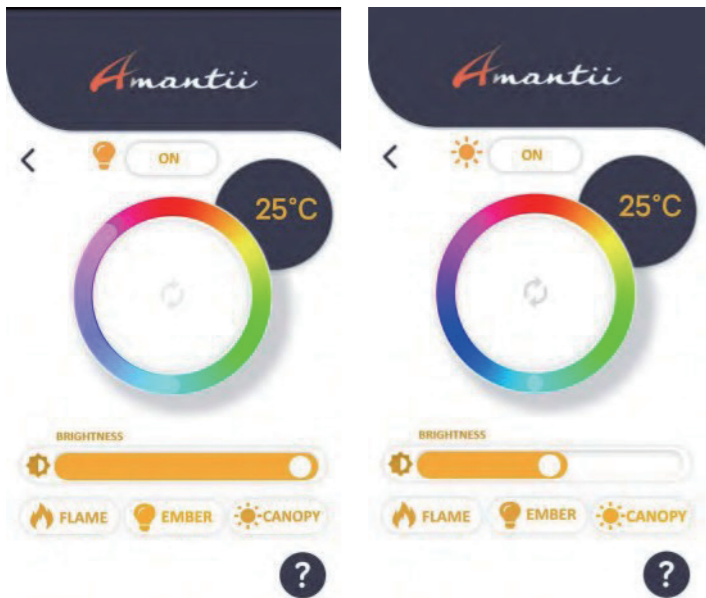
Speed

Each time Speed Button is pressed, the speed of the flame will change. Three options are available: Medium - High - Low.



**Flame interface:** slide to adjust flame color or brightness.

Press **SPEED** to enter flame speed interface. Slide to adjust the flame speed.



**Ember interface:** slide to adjust ember bed color and brightness, press the loop icon to enter ember bed color loop setting.

**Canopy interface:** slide to adjust mood light color and brightness, press the loop icon to enter mood light color loop setting.

## 5. OPERATING INSTRUCTIONS



Read and understand this entire owner's manual, including all safety information, before plugging in or using this product. Failure to do so could result in electric shock, fire, serious injury, or death.

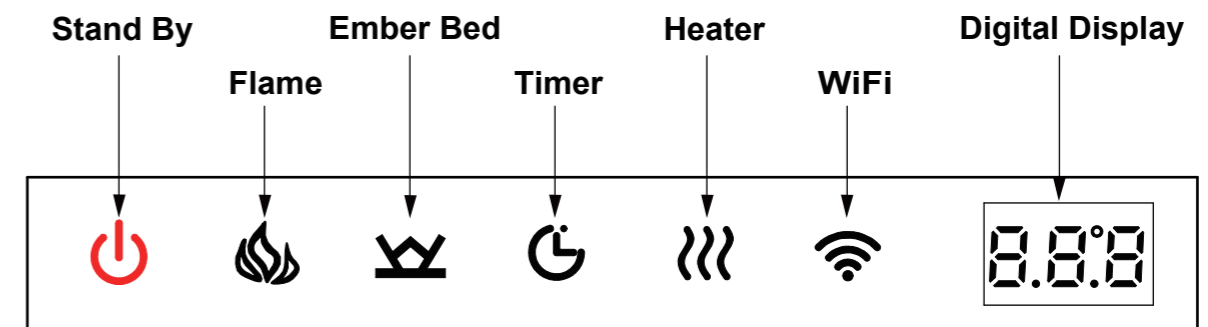


**WARNING!** Do not operate the unit if it is damaged or has malfunctioned. If you suspect the unit is damaged, call a qualified service technician to inspect and replace any part of the electrical system if necessary.

DO NOT disconnect the power at the main supply whilst the appliance is running. Use the remote or control panel to turn off the fireplace before disconnecting.

This appliance can be operated conveniently via control panel, Tuya Smart / Smart Life App, or Amantii remote control. Compatible Amantii wall controller is under development, please stay tuned for it.

### 5a. CONTROL PANEL OPERATION



**Note:** The manual buttons controls basic function, not a full range of controls. Use the remote control or app to carry out all functions.

**Stand by:** Press to turn on or off the fireplace. Long press for 5 seconds to restore the initial state.

**Flame:** Press to cycle through 6 flame effects and off setting (L.01-L.06 and OFF). Long press for 3 seconds after power is on to enter or cancel the mute mode of the button sound. A short beep sound will be heard every time you press a button if the mute mode is canceled.

**Ember bed:** Press to cycle through 17 ember bed effects and off setting (E.01-E.17 and OFF).

**Timer:** When the timer function is off, press to set the timer from 0.5H, 1H, 1.5H, 2H, 2.5H, 3H, 3.5H, 4H, 4.5H, 5H, 5.5H, 6H, 6.5H, 7H, 7.5H, 8H, OFF. When the timer function is on, press once to check the remaining time, press again to set the next level of timer. The fireplace will be in standby state after the timing ends.

**Heater:** Press to cycle through heat H1/H2/Auto/H.oF. The heater will work in H1/H2 mode, and in Auto mode the heater only works when setting temperature is higher than room temperature, the digital display will show the setting temperature. Long press for 5 second to switch between °C and °F .

**Note:** In order to prevent the product becoming too hot, there is 5 seconds delay when turning on the heater and 30 seconds delay when turning off the fan.

**WiFi:** Press to enter or cancel WiFi mode. When the WiFi indicator turns orange, the WiFi mode is on, if the WiFi indicator is off, the WiFi mode is off, and if the WiFi indicator blinks, the WiFi function is connecting and all functions will be invalid.

## 5b. TUYA SMART / SMART LIFE APP OPERATION

**Note:** When connecting WiFi, you need to turn on the WiFi and location of the mobile phone, try to keep your phone close to the fireplace.

A. **Install Tuya Smart / Smart Life:** Search for “Tuya Smart” or “Smart Life” in the APP store on your phone; or scan the QR code below with your mobile phone, download and install it.



B. **Create a Home:** Follow the prompts to create an account. In this step, you can set home name, location and which room have smart devices. Press “Save” in the upper right corner, then your home management is completed.

C. **Add device:** First confirm which room you want to add the device to, then add device in the following order:

Long press WiFi button on the control panel for 3 seconds after power is on until 3 long beeps are heard, at this time you can use Tuya Smart / Smart Life App (Add Manually - Small Home Appliances - Electric Fireplace (BLE + Wi-Fi) - Bluetooth) to connect to the fireplace within 2 minutes. Or

Long press WiFi button on the control panel for 3 seconds after power is on until 3 long beeps are heard, keep pressing for 5 seconds until another 5 long beeps are heard, the WiFi indicator and ember bed(red) will blink slowly, at this time you can use Tuya Smart / Smart Life App (Add Manually - Small Home Appliances - Electric Fireplace (BLE + Wi-Fi) - Wi-Fi Mode) to connect to the fireplace within 2 minutes.

If successfully connected, the ember bed will turn to green, otherwise, the ember bed will turn to blue. Just repeat the above process for connection.

### D. Operation:



**Main interface:** press to turn on/off the fireplace, enter sub-interface or turn on/off window open detection.

**Note:** The crackling sound icon is invalid.



**Heater interface:** press to set heater AUTO/ LOW/HIGH.

**Weekly timer interface:** scroll or press to set the weekly timer.

