















# FIREPLACES GUIDE

Symmetry							
Model:	LINEAR EVOLUTION	SYM-XS	SYM-LUMINA	SYM-XT	SYM-BESPOKE	SYM-XT-BESPOKE	SYM-XT-LUMINA
Warranty	1 Years	2 Years	2 Years	2 Years	5 Years	5 Years	2 Years
Height	19 1/8"	15 3/8"	15 5/8"	20 1/8"	15 5/8"	20 1/8"	20 1/8"
Depth	5 1/8"	4 1/8"	6 1/8"	11 3/4"	6 1/8"	11 3/4"	11 3/4"
3 Speed Motor	5 speed motor	√	√	√	√	√	√
Optional Media	√	√	√	√	√	√	√
Max BTU for Heat Output	5000BTU	5000BTU	5000BTU	10,000BTU*	5000BTU	10,000BTU*	10,000BTU*
Wifi	√	√	√	√	√	√	√
Bluetooth	X	X	X	X	√	√	X
Speaker	X	X	X	X	√	√	X
Included Media Kit	√	X	√	X	X	X	√
Remote Control	√	√	√	√	√	√	√
Retail Price							
34"	\$929.00	X	\$1,749.00	\$2,199.00	\$2,399.00	X	COMING SOON
42"	\$1,029.00	\$1,649.00	\$1,959.00	\$2,599.00 (Lumina)	\$2,599.00	X	\$2,599.00
50"	\$1,239.00	\$1,859.00	\$2,269.00	\$2,999.00	\$2,899.00	\$4,199.00	COMING SOON
60"	\$1,449.00	\$1,959.00	\$2,579.00	\$3,499.00 (Lumina)	\$3,399.00	\$4,699.00	\$3,499.00
74"	X	X	\$3,089.00	\$3,999.00 (Lumina)	\$3,899.00	\$5,199.00	\$3,999.00
88"	X	X	\$3,509.00	\$4,599.00	\$4,499.00	\$5,599.00	COMING SOON
100"	X	X	\$3,809.00	\$5,199.00	\$4,899.00	\$5,999.00	COMING SOON






TruView Series						
Model:	LumaForest	CUBE 2026WM LUMINA	TRU VIEW SLIM	TRU-VIEW-XL	TRU-VIEW XT XL	TRU-VIEW BESPOKE
Warranty	1 Years	2 Years	2 Years	2 Years	2 Years	5 Years
Height	22"	25"	26 5/8"	26 5/8"	33"	29 3/8"
Depth	11 3/4"	11 3/4"	10 5/8"	14 1/4"	13 3/4"	15"
3 Speed Motor	5 speed motor	√	√	√	√	√
Optional Media	√	√	√	√	√	√
Wifi	√	√	√	√	√	√
Bluetooth	X	X	X	X	X	√
Speaker	X	X	X	X	X	√
Optional Media	√	√	√	√	√	√
Max BTU for Heat Output*	10,000BTU*	5000BTU	5000BTU	10,000BTU*	10,000BTU*	10,000BTU*
Remote Control	√	√	√	√	√	√
Interconnectable Units	X	X	X	X	X	√
Retail Price						
20"x25"	X	\$1,859.00	X	X	X	X
30"	X	X	\$2,579.00	X	X	X
40"	X	X	\$2,779.00	\$2,589.00	\$2,999.00	X
45"	(48")\$3,499.00	X	X	x	X	\$3,619.00
50"	X	X	\$2,889.00(Lumina)	\$3,199.00	\$3,499.00	X
55"	X	X	X	X	X	\$4,039.00
60"	(63")\$3,999.00	X	\$3,199.00	\$3,499.00	\$3,999.00 (Lumina)	X
65"	X	X	X	X	X	\$4,859.00
72"	X	X	\$3,709.00(Lumina)	\$3,899.00 (Lumina)	\$4,339.00	X
75"	X	X	X	X	X	\$5,069.00
85"	X	X	X	X	X	\$5,269.00
88"	X	X	X	X	\$4,649.00 (Lumina)	X

TRD Series						
Model:	RusticStone	Classic Edition	TRD EXTRA SLIM	TRD LUMINA	TRD BESPOKE	
Warranty	1 Years	1 Years	2 Years	2 Years	5 Years	
Height	30" - H18 7/8" 33" - H24" 38" - H27"	19" 1/8	16 3/4"	"26" - 16 3/4" 30" - 19 1/8" 33" - 22 1/4" 38" - 27 1/4" 44" - 31 5/8" 48" - 41 1/8"	"30" - 19 1/8" 33" - 22 1/4" 38" - 27 1/4" 44" - 31 5/8" 48" - 41 1/8"	
Depth	D9 1/4"	8 1/2'	4 1/8"	"26" - 11 3/8" 30" - 11 3/8" 33" - 11 3/8" 38" - 12 3/8" 44" - 13 3/4" 48" - 13 3/4"	"30" - 11 3/8" 33" - 11 3/8" 38" - 12 3/8" 44" - 13 3/4" 48" - 13 3/4"	
3 or 4 Sided Trim kit Required	√	X	X	√	X	
3 Speed Motor	√	X	√	√	√	
Optional Media	√	√	√	√	√	
Wifi	√	√	√	√	√	
Max BTU for Heat Output	*10,000BTU	5000BTU	5000BTU	5000BTU	5000BTU	
Bluetooth	X	X	X	X	√	
Speaker	X	X	X	X	√	
Included media kit	√	√	X	√	√	
Remote Control	√	√	√	√	√	
Retail Price						
26"	X	\$929.00	\$1,549.00	\$1,699.00	X	
30"	Coming soon	\$1,139.00	\$1,749.00	\$1,999.00	\$2,299.00	
33"	Coming soon	\$1,449.00	\$1,959.00	\$2,399.00	\$2,699.00	
38"	Coming soon	X	X	\$2,699.00	\$2,999.00	
44"	X	X	X	\$2,999.00	\$3,399.00	
48"		X	X	\$3,799.00	\$4,199.00	

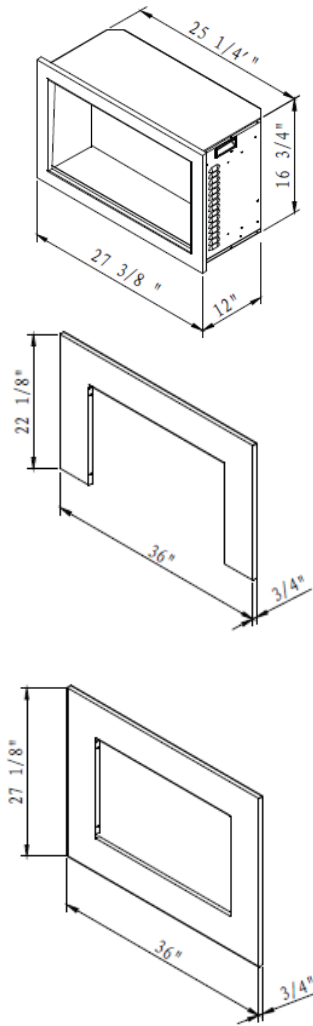
PANORAMA				
	Model:	BI-XS	BI-SLIM	BI-DEEP
Warranty	2 Years	2 Years	2 Years	2 Years
Height	19 7/8"	23 5/8"	23 5/8"	29 1/2"
Depth	4"	6 3/4"	12"	12 5/8"
3 Speed Motor	√	√	√	√
Choice of Media	X	X	X	X
Optional Media	√	√	√	√
Wifi	√	√	√	√
Bluetooth	X	X	X	X
Max BTU for Heat Output	5000BTU	5000BTU	5000BTU	10,000BTU*
Speaker	X	X	X	X
	√	√	√	√
30"	\$1,449.00	X	X	X
40"	\$1,749.00	\$2,199.00 (Lumina)	\$2,779.00 (Lumina)	\$2,799.00
50"	\$2,199.00 (Lumina)	\$2,399.00	\$2,999.00	\$3,199.00 (Lumina)
60"	\$2,499.00	\$2,599.00	\$3,499.00	\$3,499.00 (Lumina)
72"	X	\$2,999.00	\$3,999.00	\$3,999.00
88"	X	\$3,499.00	\$4,499.00	\$4,699.00

FREESTANDING					
					
	CUBE 2026WM Lumina	FS26922 Lumina	Lynwood Cast Iron E-50-HO	Lynwood Cast Iron E-70-HO	Lynwood W-76 Wood-Burning Stove
Warranty	2 Years	2 Years	2 Years	2 Years	2 Years
Height	25"	28"	28 ¼"	28 ¼"	29 ½"
Depth	11 ¾"	17 ½"	17 ½"	17 ½"	19 1/8"
3 Speed Motor	√	√	√	√	√
Optional Media	√	√	√	√	√
Wifi	√	√	√	√	√
Outdoor Approved	√	X	X	X	X
Bluetooth	X	X	X	X	X
Speaker	X	X	X	X	X
Optional Media	√	√	√	√	√
Max BTU for Heat Output*	5000BTU	5000BTU	5000BTU-10000BTU	5000BTU-10000BTU	" 13784 to 57674 BTU/hr"
Remote Control	√	√	√	√	√
Required Clearance Shield	X	X	X	X	√
Retail Price					
	\$1,959.00	\$1,749.00	\$ 2,199.00	\$ 2,499.00	" \$5,149.00 Clearance Shield \$309.00 "

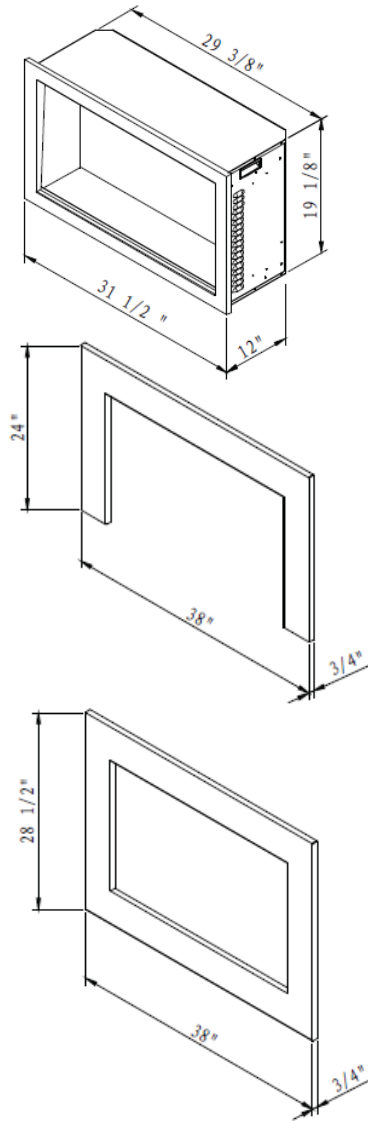
# FIREPLACES GUIDE

INSERTS					
	RusticStone	INS-FM-30	INS-FM-34	TRD LUMINA INSERT	TRD BESPOKE INSERT
Warranty	1 Years	2 Years	2 Years	2 Years	5 Years
Height	30" - H18 7/8" 33" - H24" 38" - H27"	19"	23 1/8"	16 3/4" - 41 1/8"	19 1/8" - 41 1/8"
Depth	D9 1/4"	8 1/2"	8 1/2"	11 3/8" - 13 3/4"	11 3/8" - 13 3/4"
3 or 4 Sided Trim kit Re-quired	√	X	X	√	√
3 Speed Motor	√	√	√	√	√
Optional Media	√	√	√	√	√
Wifi	√	X	X	√	√
Outdoor Ap- proved	X	X	X	√	√
Max BTU for Heat Output	*10,000BTU	5000BTU	5000BTU	5000BTU	5000BTU
Bluetooth	X	X	X	X	√
Speaker	X	X	X	X	√
Optional Media	√	√	√	√	√
Remote Control	√	√	√	√	√
Retail Price					
26"	Coming soon	X	X	\$1,699.00 +(3sided Trim kit - \$309 or 4 sided -\$419)	X
30"	Coming soon	\$2,269.00	X	\$1,999.00 +(3sided Trim kit - \$309 or 4 sided -\$419)	\$2,299.00 +(3sided Trim kit - \$309 or 4 sided -\$419)
33"	Coming soon	X	X	\$2,399.00 +(3sided Trim kit - \$309 or 4 sided -\$419)	\$2,699.00 +(3sided Trim kit - \$309 or 4 sided -\$419)
34"	X	X	\$2,479.00	X	X
38"		X	X	\$2,699.00 +(3sided Trim kit - \$309 or 4 sided -\$419)	\$2,999.00 +(3sided Trim kit - \$309 or 4 sided -\$419)
44"		X	X	X	X
48"		X	X	X	X

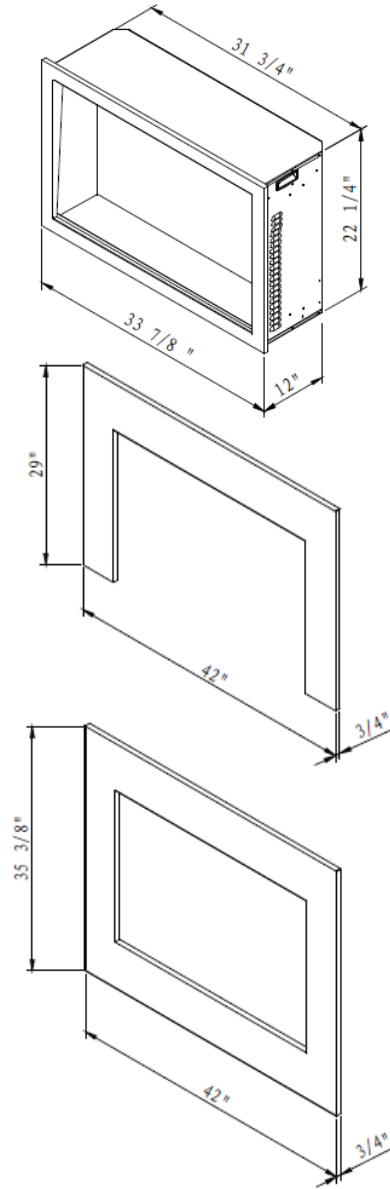
**TRD 26 Lumina  
& Bespoke**



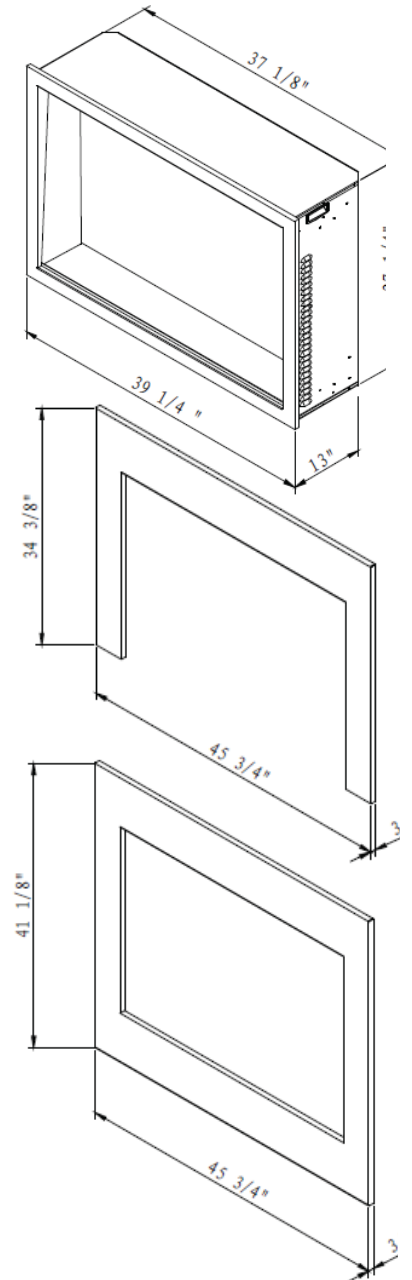
**TRD 30 Lumina  
& Bespoke**



**TRD 33 Lumina  
& Bespoke**



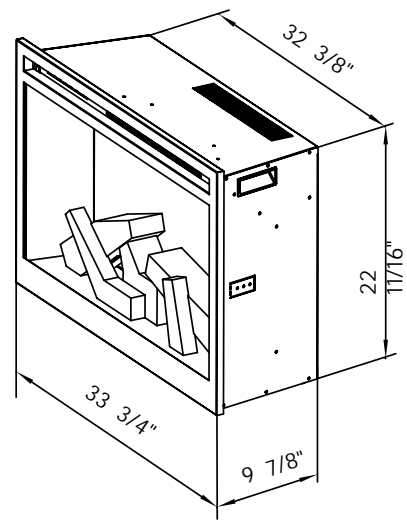
**TRD 38 Lumina  
& Bespoke**



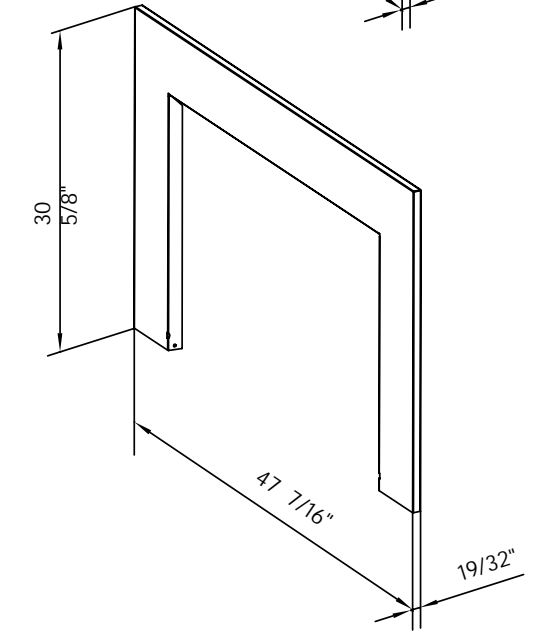
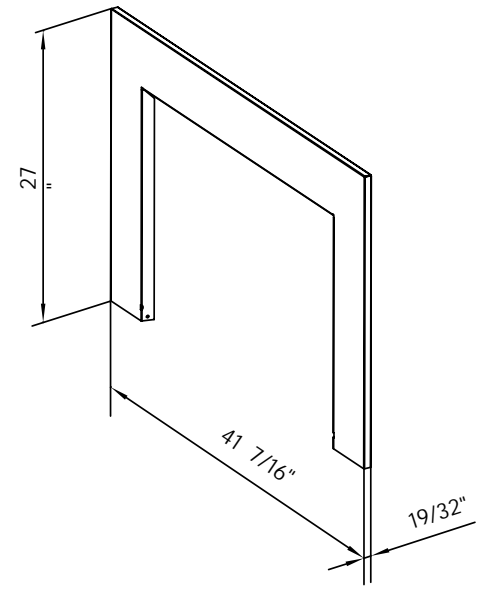
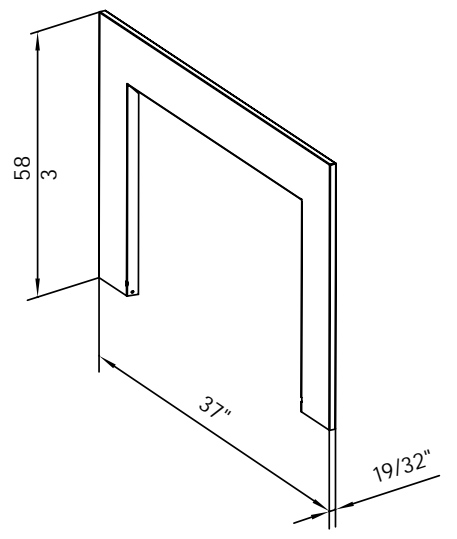
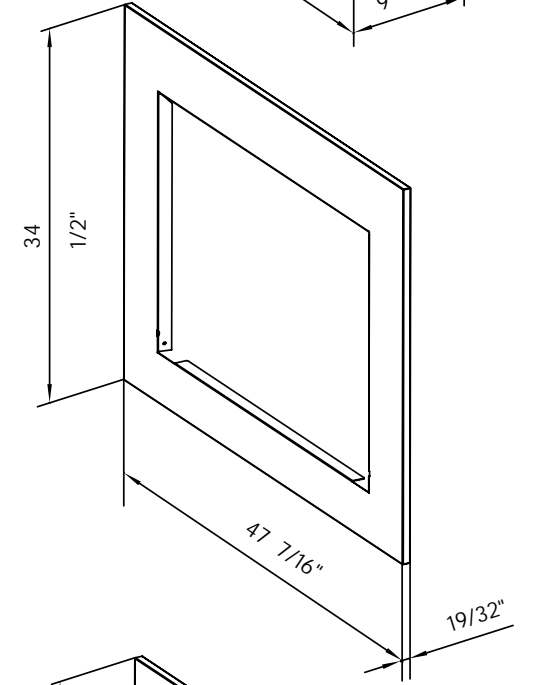
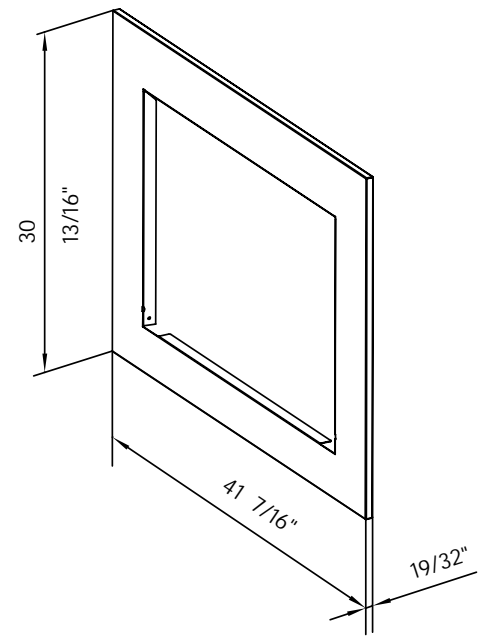
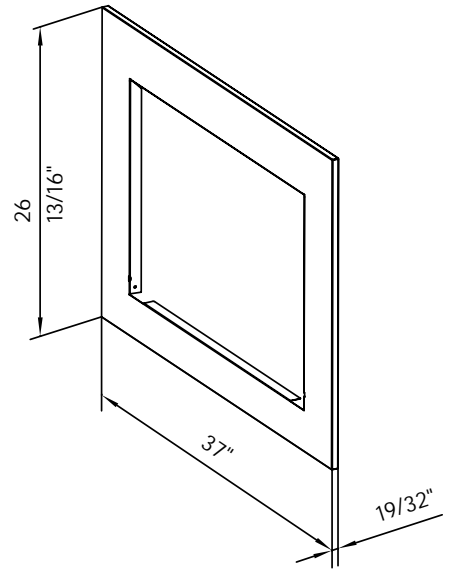
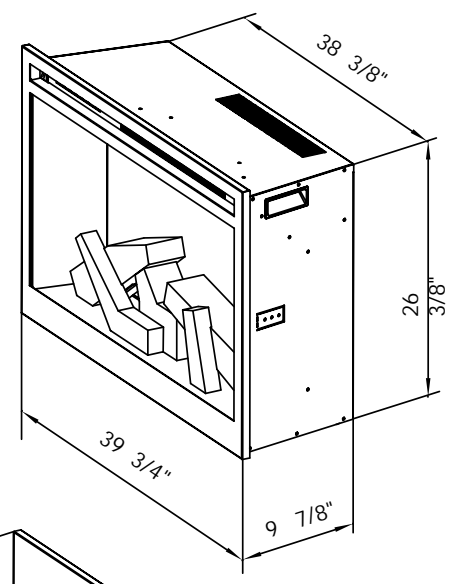
RS30



RS36



RS42



## Voltage Compatibility

Series	Item Number	Description	120 V	240 V
<b>SYMMETRY BESPOKE</b>	<b>SYM-50 BESPOKE</b>	<i>Symmetry Bespoke -50" Indoor / Outdoor Built In Electric Fireplace Featuring WiFi Compatibility, Bluetooth Connectivity, Sound Speakers and a Multi Speed Motor</i>	√	
<b>SYMMETRY BESPOKE</b>	<b>SYM-60 BESPOKE</b>	<i>Symmetry Bespoke -60" Indoor / Outdoor Built In Electric Fireplace Featuring WiFi Compatibility, Bluetooth Connectivity, Sound Speakers and a Multi Speed Motor</i>	√	
<b>SYMMETRY BESPOKE</b>	<b>SYM-74 BESPOKE</b>	<i>Symmetry Bespoke -74" Indoor / Outdoor Built In Electric Fireplace Featuring WiFi Compatibility, Bluetooth Connectivity, Sound Speakers and a Multi Speed Motor</i>	√	
<b>SYMMETRY Lumina</b>	<b>SYM 34 Lumina</b>	<i>-34" Indoor / Outdoor Built In Electric Fireplace Featuring WiFi Compatibility and a 3 Speed Motor</i>	√	
<b>SYMMETRY Lumina</b>	<b>SYM 42 Lumina</b>	<i>-42" Indoor / Outdoor Built In Electric Fireplace Featuring WiFi Compatibility and a 3 Speed Motor</i>	√	
<b>SYMMETRY Lumina</b>	<b>SYM 50 Lumina</b>	<i>-50" Indoor / Outdoor Built In Electric Fireplace Featuring WiFi Compatibility and a 3 Speed Motor</i>	√	
<b>SYMMETRY Lumina</b>	<b>SYM 60 Lumina</b>	<i>-60" Indoor / Outdoor Built In Electric Fireplace Featuring WiFi Compatibility and a 3 Speed Motor</i>	√	
<b>SYMMETRY Lumina</b>	<b>SYM 74 Lumina</b>	<i>-74" Indoor / Outdoor Built In Electric Fireplace Featuring WiFi Compatibility and a 3 Speed Motor</i>	√	
<b>SYMMETRY Lumina</b>	<b>SYM 88 Lumina</b>	<i>-88" Indoor / Outdoor Built In Electric Fireplace Featuring WiFi Compatibility and a 3 Speed Motor</i>	√	
<b>SYMMETRY Lumina</b>	<b>SYM 100 Lumina</b>	<i>-100" Indoor / Outdoor Built In Electric Fireplace Featuring WiFi Compatibility and a 3 Speed Motor</i>	√	
<b>SYMMETRY XT BESPOKE</b>	<b>SYM - 50 XT BESPOKE</b>	<i>Symmetry Xtra Tall Bespoke -50" Indoor / Outdoor Built In Electric Fireplace Featuring WiFi Compatibility, Bluetooth Connectivity, Sound Speakers and a Multi Speed Motor</i>	√	√
<b>SYMMETRY XT BESPOKE</b>	<b>SYM - 60 XT BESPOKE</b>	<i>Symmetry Xtra Tall Bespoke -60" Indoor / Outdoor Built In Electric Fireplace Featuring WiFi Compatibility, Bluetooth Connectivity, Sound Speakers and a Multi Speed Motor</i>	√	√
<b>SYMMETRY XT BESPOKE</b>	<b>SYM - 74 XT BESPOKE</b>	<i>Symmetry Xtra Tall Bespoke -74" Indoor / Outdoor Built In Electric Fireplace Featuring WiFi Compatibility, Bluetooth Connectivity, Sound Speakers and a Multi Speed Motor</i>	√	√
<b>SYMMETRY XTRA TALL</b>	<b>SYM - 60 XT</b>	<i>Symmetry Xtra Tall Smart Electric - 60" Indoor / Outdoor Smart Electric, WiFi Enabled Fireplace</i>	√	√
<b>SYMMETRY XTRA TALL</b>	<b>SYM - 74 XT</b>	<i>Symmetry Xtra Tall Smart Electric - 74" Indoor / Outdoor Smart Electric, WiFi Enabled Fireplace</i>	√	√

<b>SYMMETRY XTRA TALL</b>	<b>SYM - 88 XT</b>	<i>Symmetry Xtra Tall Smart Electric - 88" Indoor / Outdoor Smart Electric, WiFi Enabled Fireplace</i>	√	√
<b>SYMMETRY XTRA TALL</b>	<b>SYM - 100 XT</b>	<i>Symmetry Xtra Tall Smart Electric - 100" Indoor / Outdoor Smart Electric, WiFi Enabled Fireplace</i>	√	√

## Voltage Compatibility

<b>Series</b>	<b>Item Number</b>	<b>Description</b>	<b>120 V</b>	<b>240 V</b>
<b>TRADITIONAL BESPOKE</b>	<b>TRD - 33 BESPOKE</b>	<i>Traditional Bespoke - 33" Indoor / Outdoor Electric Insert Featuring WiFi Connectivity, Bluetooth Compatibility, Sound Speakers and a Multi Speed Motor</i>	√	
<b>TRADITIONAL BESPOKE</b>	<b>TRD - 38 BESPOKE</b>	<i>Traditional Bespoke - 38" Indoor / Outdoor Electric Insert Featuring WiFi Connectivity, Bluetooth Compatibility, Sound Speakers and a Multi Speed Motor</i>	√	
<b>TRADITIONAL BESPOKE</b>	<b>TRD - 44 BESPOKE</b>	<i>Traditional Bespoke - 44" Indoor / Outdoor Electric Insert Featuring WiFi Connectivity, Bluetooth Compatibility, Sound Speakers and a Multi Speed Motor</i>	√	
<b>TRADITIONAL Lumina</b>	<b>TRD - 26 Lumina</b>	<i>Traditional Lumina -26" Indoor / Outdoor Built In Electric Fireplace Featuring WiFi Compatibility and a 3 Speed Motor</i>	√	
<b>TRADITIONAL Lumina</b>	<b>TRD - 30 Lumina</b>	<i>Traditional Lumina -30" Indoor / Outdoor Built In Electric Fireplace Featuring WiFi Compatibility and a 3 Speed Motor</i>	√	
<b>TRADITIONAL Lumina</b>	<b>TRD - 33 Lumina</b>	<i>Traditional Lumina -33" Indoor / Outdoor Built In Electric Fireplace Featuring WiFi Compatibility and a 3 Speed Motor</i>	√	
<b>TRADITIONAL Lumina</b>	<b>TRD - 38 Lumina</b>	<i>-38" Indoor / Outdoor Built In Electric Fireplace Featuring WiFi Compatibility and a 3 Speed Motor</i>	√	
<b>TRADITIONAL Lumina</b>	<b>TRD - 44 Lumina</b>	<i>-44" Indoor / Outdoor Built In Electric Fireplace Featuring WiFi Compatibility and a 3 Speed Motor</i>	√	
<b>TRADITIONAL Lumina</b>	<b>TRD - 48 Lumina</b>	<i>Traditional Lumina -48" Indoor / Outdoor Built In Electric Fireplace Featuring WiFi Compatibility and a 3 Speed Motor</i>	√	
<b>TRADITIONAL XTRA SLIM</b>	<b>TRD - 26 XS</b>	<i>Traditional Xtra Slim Smart -26" Indoor / Outdoor Built In Electric Fireplace Featuring WiFi Compatibility and a 3 Speed Motor</i>	√	
<b>TRADITIONAL XTRA SLIM</b>	<b>TRD - 30 XS</b>	<i>Traditional Xtra Slim Smart -30" Indoor / Outdoor Built In Electric Fireplace Featuring WiFi Compatibility and a 3 Speed Motor</i>	√	
<b>TRADITIONAL XTRA SLIM</b>	<b>TRD - 33 XS</b>	<i>Traditional Xtra Slim Smart -33" Indoor / Outdoor Built In Electric Fireplace Featuring WiFi Compatibility and a 3 Speed Motor</i>	√	

### Voltage Compatibility

Series	Item Number	Description	120 V	240 V
TRU VIEW SLIM	30 - TRV SLIM	Tru View Slim Smart Electric - 30" Indoor / Outdoor, WiFi Enabled 3 Sided Fireplace Featuring a 10 5/8" Depth		
TRU VIEW SLIM	40 - TRV SLIM	Tru View Slim Smart Electric - 40" Indoor / Outdoor, WiFi Enabled 3 Sided Fireplace Featuring a 10 5/8" Depth	√	
TRU VIEW SLIM	50 - TRV SLIM	Tru View Slim Smart Electric - 50" Indoor / Outdoor, WiFi Enabled 3 Sided Fireplace Featuring a 10 5/8" Depth	√	
TRU VIEW SLIM	60 - TRV SLIM	Tru View Slim Smart Electric - 60" Indoor / Outdoor, WiFi Enabled 3 Sided Fireplace Featuring a 10 5/8" Depth	√	
TRU VIEW SLIM	72 - TRV SLIM	Tru View Slim Smart Electric - 72" Indoor / Outdoor, WiFi Enabled 3 Sided Fireplace Featuring a 10 5/8" Depth	√	
TRU VIEW XL DEEP	40 -TRU VIEW XL	Tru View Deep Smart Electric - 42" Indoor / Outdoor, WiFi Enabled 3 Sided Fireplace	√	
TRU VIEW XL DEEP	50 -TRU VIEW XL	Tru View Deep Smart Electric - 50" Indoor / Outdoor, WiFi Enabled 3 Sided Fireplace	√	√
TRU VIEW XL DEEP	60 -TRU VIEW XL	Tru View Deep Smart Electric - 60" Indoor / Outdoor, WiFi Enabled 3 Sided Fireplace	√	√
TRU VIEW XL DEEP	72 - TRU VIEW XL	Tru View Deep Smart Electric - 72" Indoor / Outdoor, WiFi Enabled 3 Sided Fireplace	√	√
TRU VIEW XT -XL	50 - TRV-XT-XL	Tru View Deep & Xtra Tall Smart Electric - 50" Indoor / Outdoor, WiFi Enabled 3 Sided Fireplace	√	√
TRU VIEW XT -XL	60 - TRV-XT-XL	Tru View Deep & Xtra Tall Smart Electric - 60" Indoor / Outdoor, WiFi Enabled 3 Sided Fireplace	√	√
TRU VIEW XT -XL	72 - TRV-XT-XL	Tru View Deep & Xtra Tall Smart Electric - 72" Indoor / Outdoor, WiFi Enabled 3 Sided Fireplace	√	√
TRU VIEW XT -XL	88 - TRV-XT-XL	Tru View Deep & Xtra Tall Smart Electric - 88" Indoor / Outdoor, WiFi Enabled 3 Sided Fireplace	√	√
TRU VIEW - CUBE	CUBE-2025 WM	"THE CUBE" Smart Electric Fireplace Featuring WiFi Connectivity and a 3 Speed Motor	√	

<b>TRU VIEW BESPOKE</b>	<b>45 - TRV BESPOKE</b>	<i>Tru View Bespoke - 45" Indoor / Outdoor, WiFi Enabled, Bluetooth Capable 3 Sided Fireplace - Featuring a Glass Viewing Height of 20"</i>	✓	
<b>TRU VIEW BESPOKE</b>	<b>55 - TRV BESPOKE</b>	<i>Tru View Bespoke - 55" Indoor / Outdoor, WiFi Enabled, Bluetooth Capable 3 Sided Fireplace - Featuring a Glass Viewing Height of 20"</i>	✓	✓
<b>TRU VIEW BESPOKE</b>	<b>65 - TRV BESPOKE</b>	<i>Tru View Bespoke - 65" Indoor / Outdoor, WiFi Enabled, Bluetooth Capable 3 Sided Fireplace - Featuring a Glass Viewing Height of 20"</i>	✓	✓
<b>TRU VIEW BESPOKE</b>	<b>75 - TRV BESPOKE</b>	<i>Tru View Bespoke - 75" Indoor / Outdoor, WiFi Enabled, Bluetooth Capable 3 Sided Fireplace - Featuring a Glass Viewing Height of 20"</i>	✓	✓
<b>TRU VIEW BESPOKE</b>	<b>85 - TRV BESPOKE</b>	<i>Tru View Bespoke - 85" Indoor / Outdoor, WiFi Enabled, Bluetooth Capable 3 Sided Fireplace - Featuring a Glass Viewing Height of 20"</i>	✓	✓

### Voltage Compatibility

Series	Item Number	Description	120 V	240 V
PANORAMA - XTRA	BI-30 XTRASLIM	Panorama Xtra Slim Full View Smart Electric - 30" Indoor / WiFi Enabled	√	
PANORAMA - XTRA	BI-40 XTRASLIM	Panorama Xtra Slim Full View Smart Electric - 40" Indoor / WiFi Enabled	√	
PANORAMA - XTRA	BI-50 XTRASLIM	Panorama Xtra Slim Full View Smart Electric - 50" Indoor / WiFi Enabled	√	
PANORAMA - XTRA	BI-60 XTRASLIM	Panorama Xtra Slim Full View Smart Electric - 60" Indoor / WiFi Enabled	√	
PANORAMA SLIM	BI-40 SLIM	Panorama Slim Full View Smart Electric - 40" Indoor / Outdoor Enabled	√	
PANORAMA SLIM	BI-50 SLIM	Panorama Slim Full View Smart Electric - 50" Indoor / Outdoor Enabled	√	
PANORAMA SLIM	BI-60 SLIM	Panorama Slim Full View Smart Electric - 60" Indoor / Outdoor Enabled	√	
PANORAMA SLIM	BI-72 SLIM	Panorama Slim Full View Smart Electric - 72" Indoor / Outdoor Enabled	√	
PANORAMA SLIM	BI-88 SLIM	Panorama Slim Full View Smart Electric - 88" Indoor / Outdoor Enabled	√	
PANORAMA BI DEEP	BI-40 DEEP	Panorama Deep Full View Smart Electric - 40" Indoor / Outdoor Enabled	√	
PANORAMA BI DEEP	BI-50 DEEP	Panorama Deep Full View Smart Electric - 50" Indoor / Outdoor Enabled	√	
PANORAMA BI DEEP	BI-60 DEEP	Panorama Deep Full View Smart Electric - 60" Indoor / Outdoor Enabled	√	
PANORAMA BI DEEP	BI-72 DEEP	Panorama Deep Full View Smart Electric - 72" Indoor / Outdoor Enabled	√	
PANORAMA BI DEEP	BI-88 DEEP	Panorama Deep Full View Smart Electric - 88" Indoor / Outdoor Enabled	√	
PANORAMA BI DEEP - XT	BI - 50 DEEP XT	Panorama Deep & Xtra Tall Smart - 50" Indoor / Outdoor, Enabled Electric	√	√
PANORAMA BI DEEP - XT	BI - 60 DEEP XT	Panorama Deep & Xtra Tall Smart - 60" Indoor / Outdoor, Enabled Electric	√	√
PANORAMA BI DEEP - XT	BI - 72 DEEP XT	Panorama Deep & Xtra Tall Smart - 74" Indoor / Outdoor, Enabled Electric	√	√
PANORAMA BI DEEP - XT	BI - 88 DEEP XT	Panorama Deep & Xtra Tall Smart - 88" Indoor / Outdoor, Enabled Electric	√	√